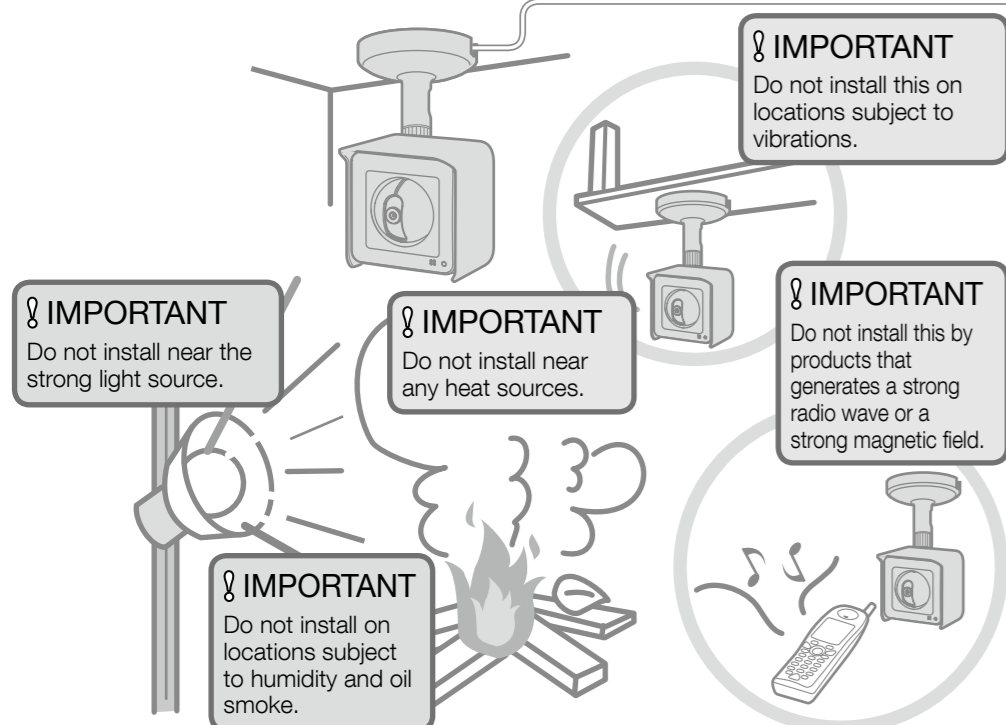
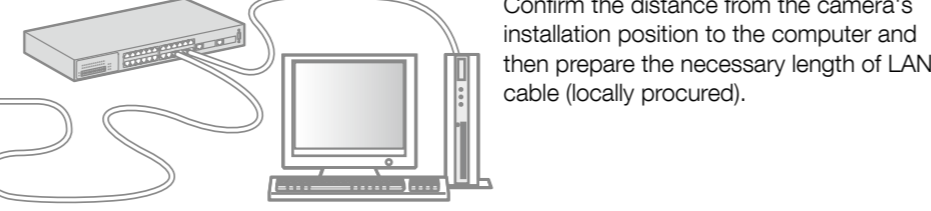


1 Check the installing place

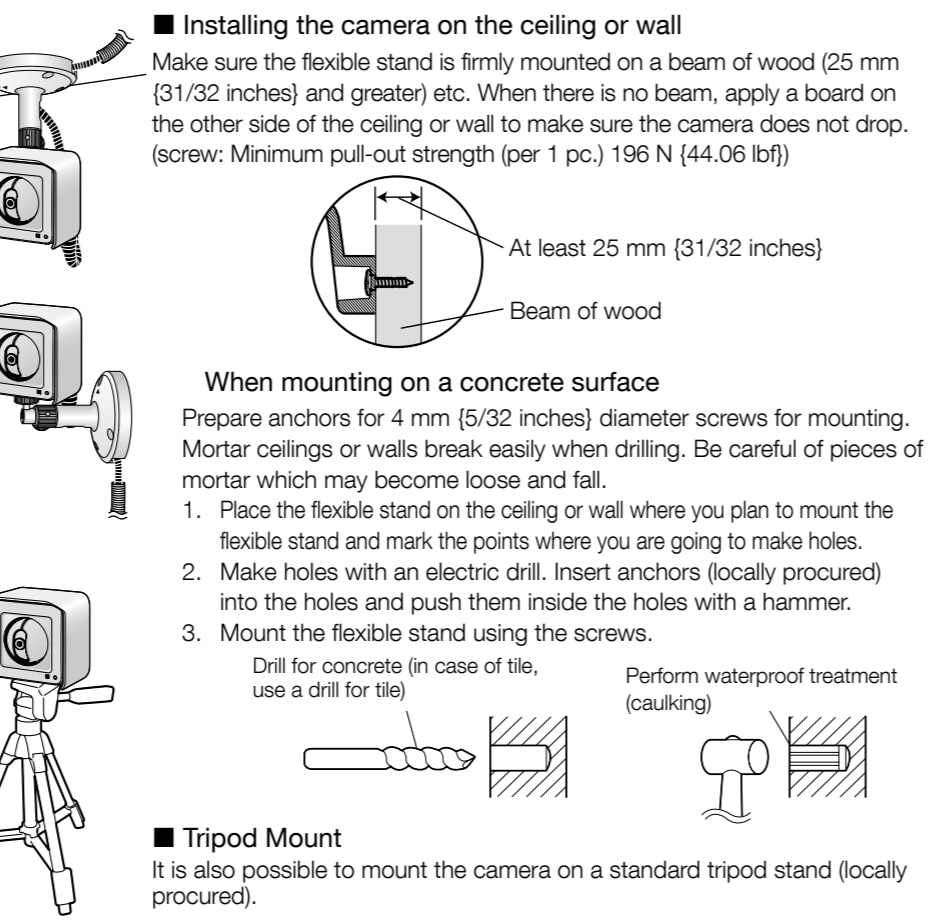
Determining the mounting position



Determining the length of the cable

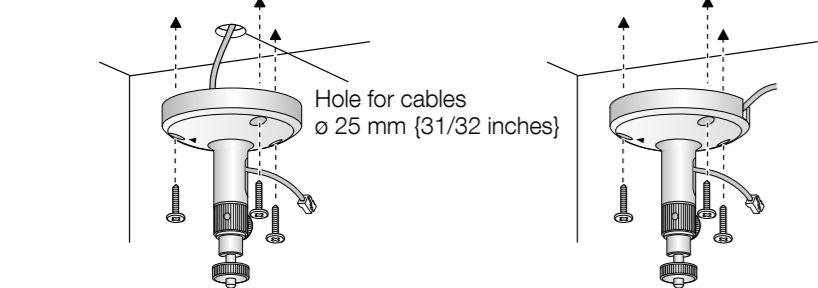


Determining how to mount the camera

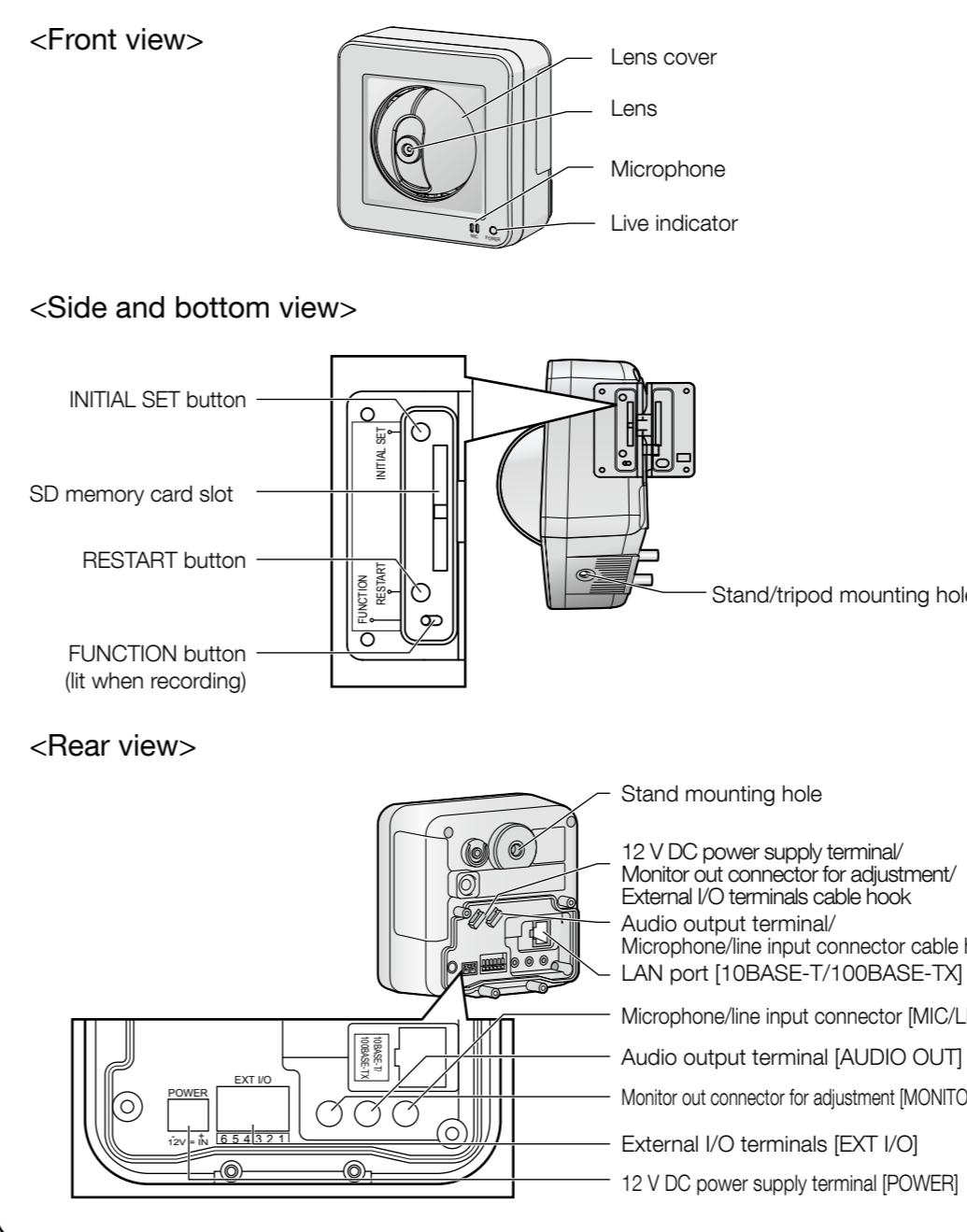


Determining how to wire the cable

It is necessary to make a hole in the ceiling or wall to pass the cables through. Make a hole 25 mm (31/32 inches) in diameter. (screw: Minimum pull-out strength (per 1 pc.) 196 N (44.06 lbf))



2 Major operating controls



Pin	Function
6	DC power output • Power output voltage 10.5 V - 13 V • Power output current 100 mA
5	GND
4	GND
3	EXT I/O terminal 3 (ALARM IN 3/ AUX OUT)
2	EXT I/O terminal 2 (ALARM IN 2/ ALARM OUT)
1	EXT I/O terminal 1 (ALARM IN 1)

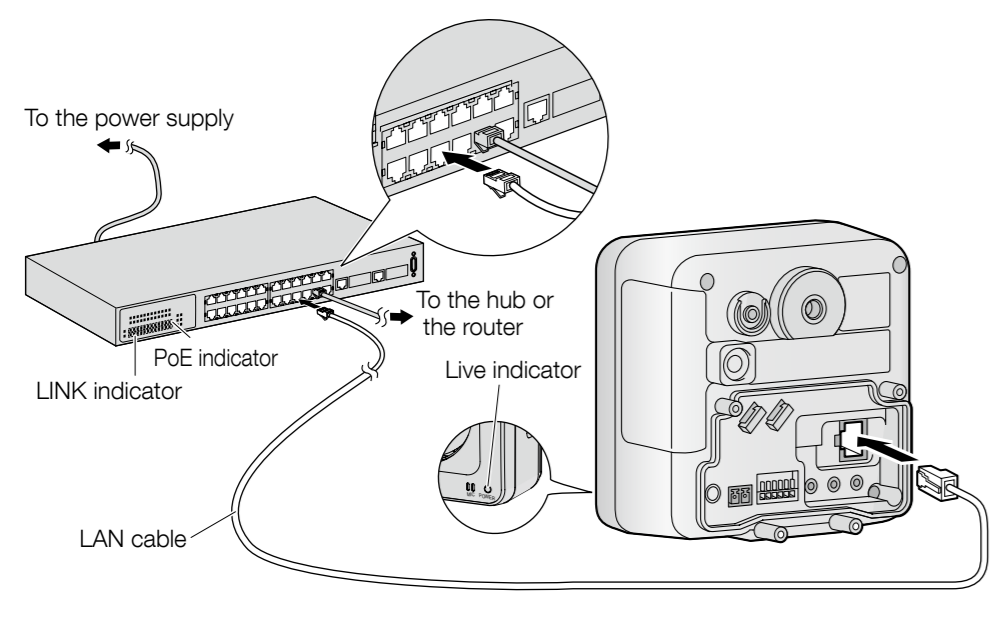
About the [INITIAL SET] button
After turning off the power of the camera, turn on the power of the camera while holding down this button, and wait for around 5 seconds or more without releasing this button. Wait around 3 minute after releasing the button. The camera will start up and the settings including the network settings will be initialized. Before initializing the settings, it is recommended to write down the settings in advance. The initialization will be complete when the live indicator stops blinking orange and lights off. Note that the preset position settings and the CRT key (SSL encryption key) used for the HTTPS protocol will not be initialized.

IMPORTANT
Do not turn off the power of the camera during the process of initialization. Otherwise, it may fail to initialize and may cause malfunction.

About the [RESTART] button
When the camera is on, you can also restart the camera by pressing the RESTART button. Press and hold the RESTART button for about one second with a pointed object. Restarting is completed when the camera's pan/tilt performs its initial movement.

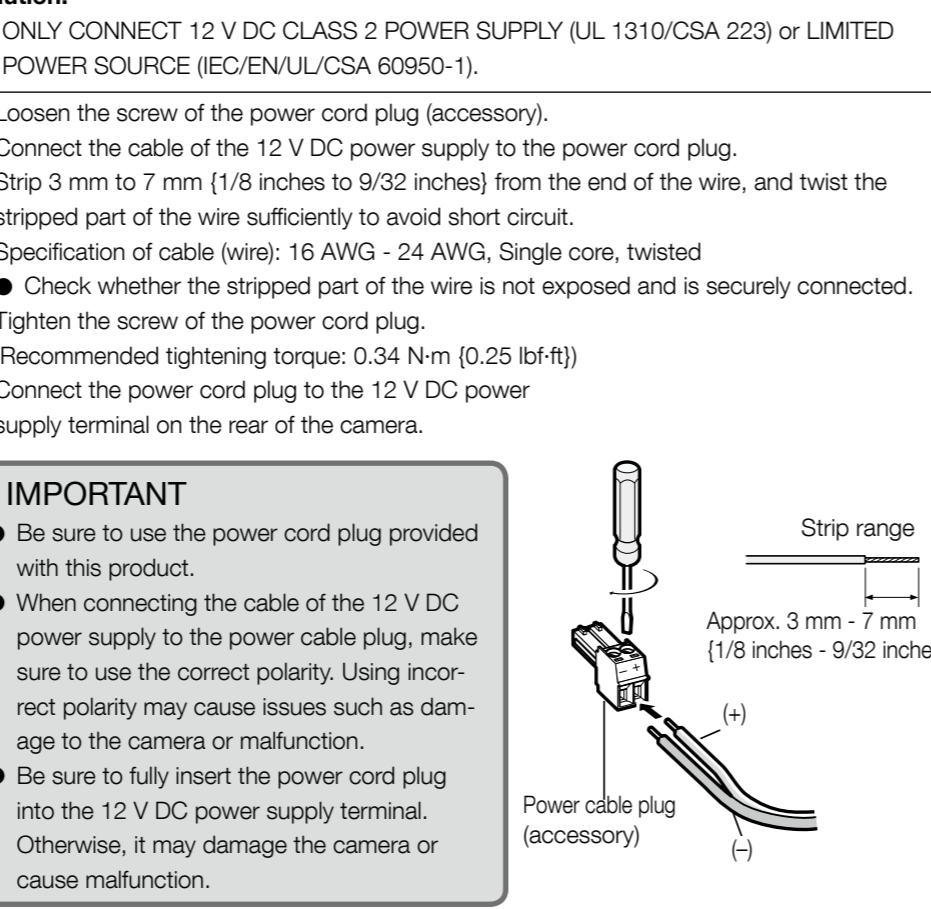
3 Connections

When connecting the camera using PoE (Power over Ethernet)



IMPORTANT
Use a 4-pair UTP/STP cable. Make sure that the PoE device in use is compliant with IEEE802.3af standard. For information on recommended PoE devices, refer to our website at (<http://panasonic.net/pss/security/support/info.html>).

When connecting the camera using 12 V DC power supply



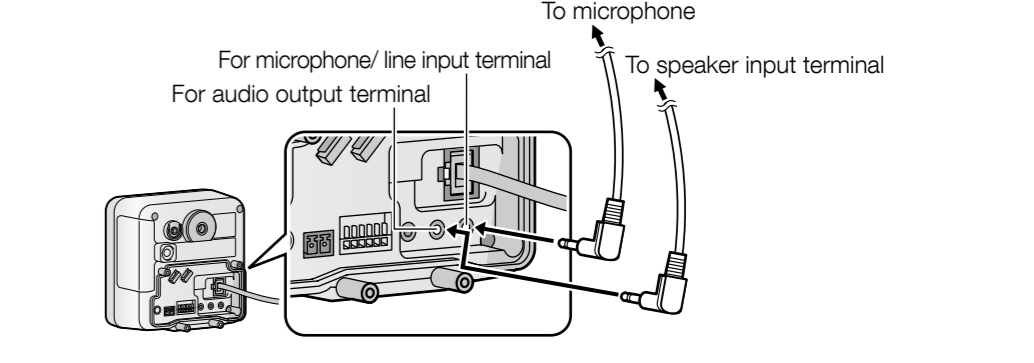
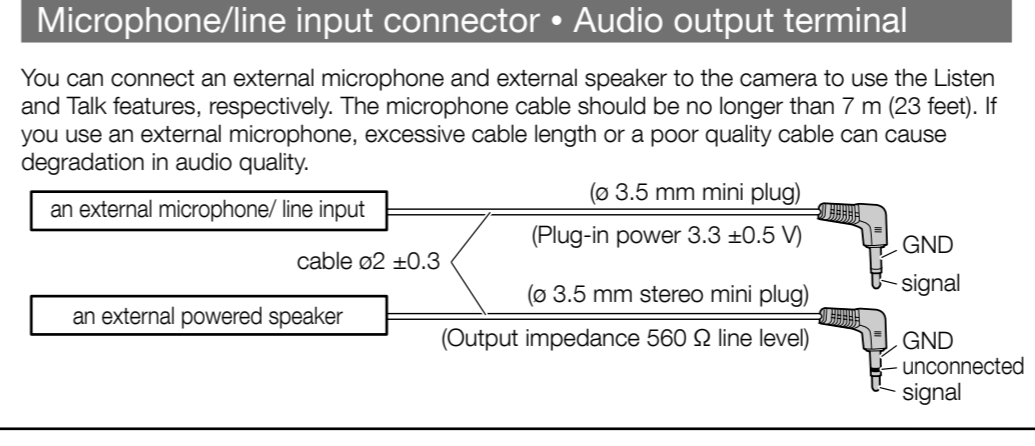
WARNING
Adequate waterproof treatment is required for the AC adaptor* and the AC cord*. (The AC adaptor and the AC adaptor cord are not waterproof.) Failure to observe this may cause fire or electric shock. Never touch wet AC adaptors or AC cords. Consult the dealer for repair. *1 Only when receiving power from the AC adaptor.

External I/O terminals

Connect external devices to the EXT I/O terminal. When connecting an external device, remove 9 mm - 10 mm (11/32 inches - 13/32 inches) of the outer jacket of the cable and twist the cable core to prevent the short circuit first. ● Specification of cable (wire): 22 AWG - 28 AWG Single core, twisted

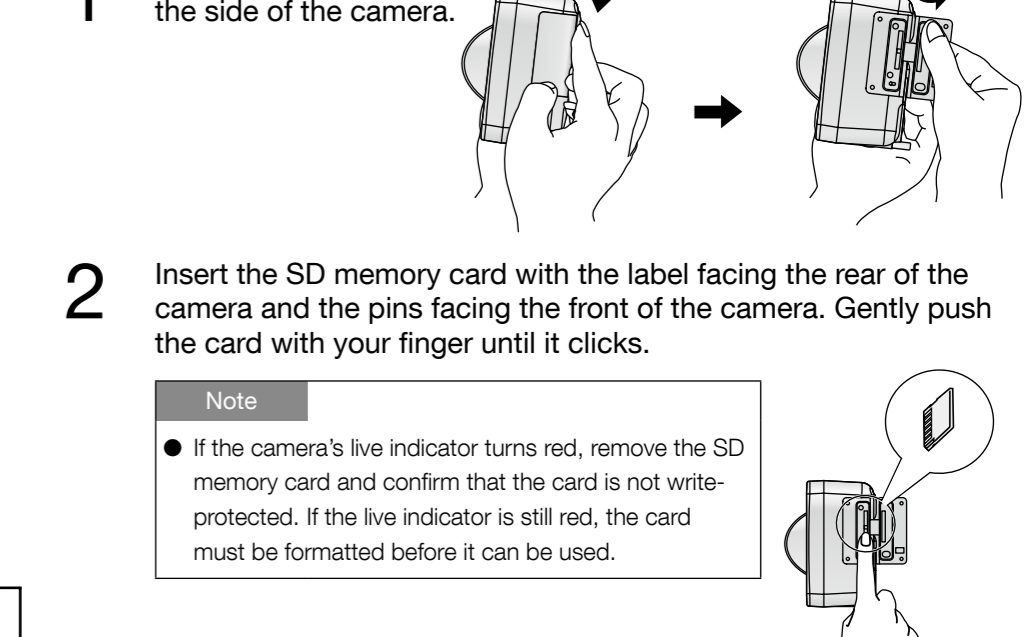
IMPORTANT
Do not connect 2 wires or more directly to a terminal. When it is necessary to connect 2 or more wires, use a splitter. Input and output of the external I/O terminal 2 and 3 can be switched by configuring the setting. The default of EXT I/O terminal 2 is "ALARM IN 2" and of EXT I/O terminal 3 is "ALARM IN 3". It is possible to determine whether or not to receive input from EXT I/O terminal 2 and 3 (ALARM IN 2, 3) by selecting "Off", "Alarm input", "Alarm output" or "AUX output" for "Terminal alarm 2" or "Terminal alarm 3" on the [Alarm] tab on the "Alarm setup" page. Refer to the Operating Instructions (included in the CD-ROM) for further information. The default of EXT I/O terminals is "Off". When "Off" is selected, it is possible to connect external devices as well as the input setting. When using the EXT I/O terminals as the output terminals, ensure they do not cause signal collision with external signals. In order for the EXT I/O terminal to detect alarm inputs when the terminal status is changed from Open to Close (On) or from Close to Open (Off), about 100 ms or more is needed. Because alarms cannot be detected for about 5 seconds after a detection is made, alarm inputs received within about 5 seconds after an alarm is detected are not detected.

Microphone/line input connector • Audio output terminal
You can connect an external microphone and external speaker to the camera to use the Listen and Talk features, respectively. The microphone cable should be no longer than 7 m (23 feet). If you use an external microphone, excessive cable length or a poor quality cable can cause degradation in audio quality.



IMPORTANT
The monitor out connector for adjustment is provided only for checking the adjustment of the angular field of view on the video monitor when installing the camera or when servicing. It is not provided for recording/monitoring use. Black bands may appear at the top and bottom or right and left of the screen. (That does not affect the adjustment because the angular field of view is not changed.)

Insert a SD memory card

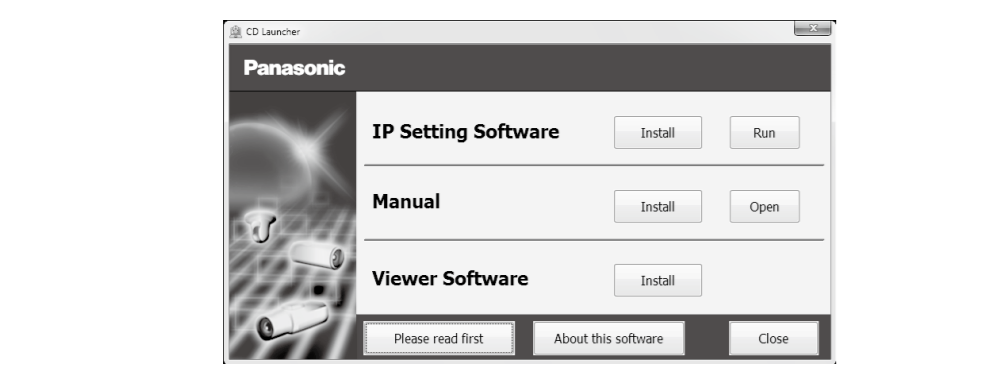


4 Configure the settings of the camera

Configuring the camera so that it can be accessed from a PC

If you are using firewall software on your PC, the Setup Program may not be able to find any cameras on your network. Configure the setting of the camera after temporarily invalidating the firewall software.

- Insert the provided CD-ROM into the CD-ROM drive of your PC
 - The License Agreement will be displayed. Read the Agreement and choose "I accept the term in the license agreement", and click [OK].
 - The launcher window will be displayed. If the launcher window is not displayed, double click the "CDLauncher.exe" file on the CD-ROM.



Click the [Run] button next to [IP Setting Software]

"Panasonic IP Setting Software" page will be displayed. Click the [Network Settings] button after selecting the MAC address/IP address of the camera to be configured.

Select the camera you want to configure, and click [Access Camera]

Note
When cameras are displayed in [IP Setting Software] screen, click the camera with same MAC address as the MAC address printed on the camera that you want to configure.



It is necessary to install the viewer software "Network Camera Viewer 4S" to display images. Follow the instructions of the wizard to start the installation.

- The "Live" page will be displayed.
- Perform the [Time & date] settings in the "Setup" - "Basic" page before using the camera.



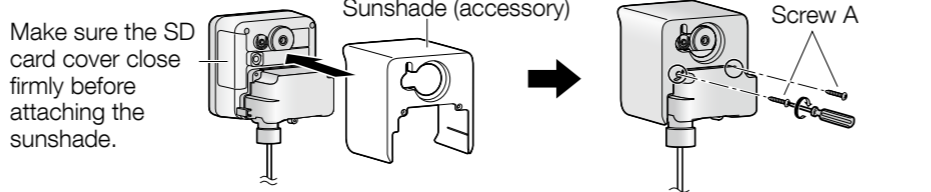
Note
When no image is displayed on the "Live" page, refer to "Troubleshooting" in the Operating Instructions on the provided CD-ROM. It is possible to enhance the network security by encrypting the access to cameras using the HTTPS function. Refer to "Access the camera using the HTTPS protocol" in the Operating Instructions on the provided CD-ROM. Click the [Setup] button on the "Live" page, the user authentication window will be displayed. Enter the default user name and password as follows, and log in. User name: admin Password: 12345

5 Mounting the Camera

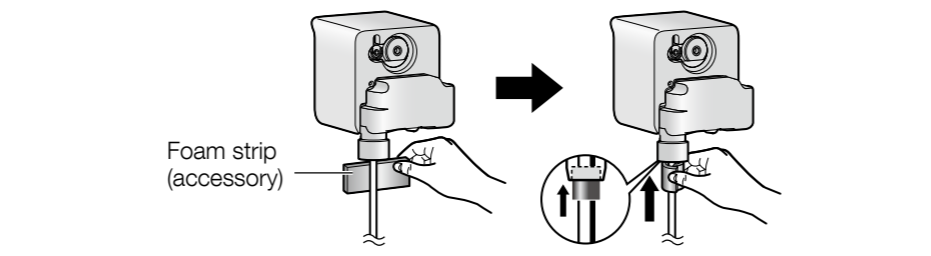
Refer to "Mounting the Camera" (leaflet) for descriptions of how to mount the camera outdoors in the fields of U.S. and Canada.

- Remove the tab on the flexible stand (accessory). Then pass the cables through the notch.
 - Note**
When passing all cables through a duct (locally procured) for waterproofing without removing the tab, wrap the cables to the shaft of the stand with tape or other materials (locally procured). In this case proceed to step 2.
 - Pass the cables through the connector cover (accessory), and then connect all cables. Attach the connector cover by fastening screw A (accessory). (Recommended tightening torque of the connector cover: 0.6 N-m (0.44 lbf-ft))
Connect all necessary cables, AC adaptor, LAN, audio/video, etc.
- IMPORTANT**
When wiring LAN cables outside, make the LAN cable as short as possible. This product or the hub connected to this product may be affected by lightning or other weather conditions. When mounting the camera, make sure to wrap the AC adaptor cord (if used) and other cables (external microphone or speaker cable, video cable, etc.) around the hooks as shown to ensure secure connections.

Attach the sunshade (accessory) by fastening screw A.

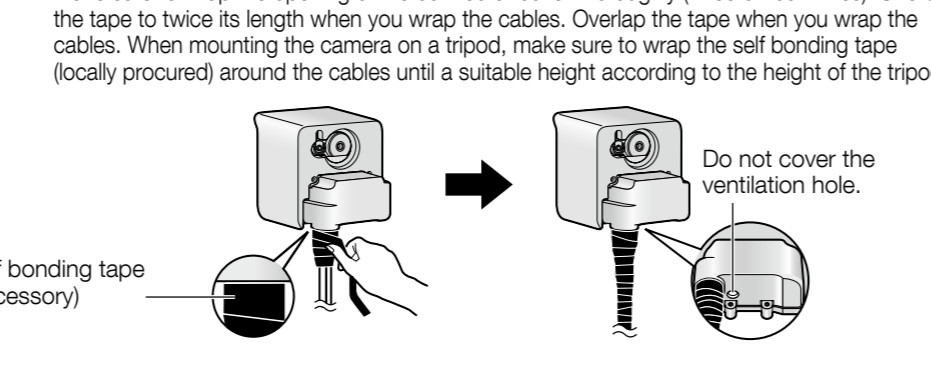


Wrap the cables in the included foam strip (accessory) and insert the foam strip into the opening of the connector cover leaving about 10 mm (3/8 inches) of the foam exposed, as shown.



Note
Adequate waterproof treatment is required for the cables when installing the camera outdoors. Failure to observe this may cause water leakage resulting in malfunction.

Wrap the first 20 cm (7 7/8 inches) of the cables (starting with the connector cover) using the included self bonding tape (accessory).



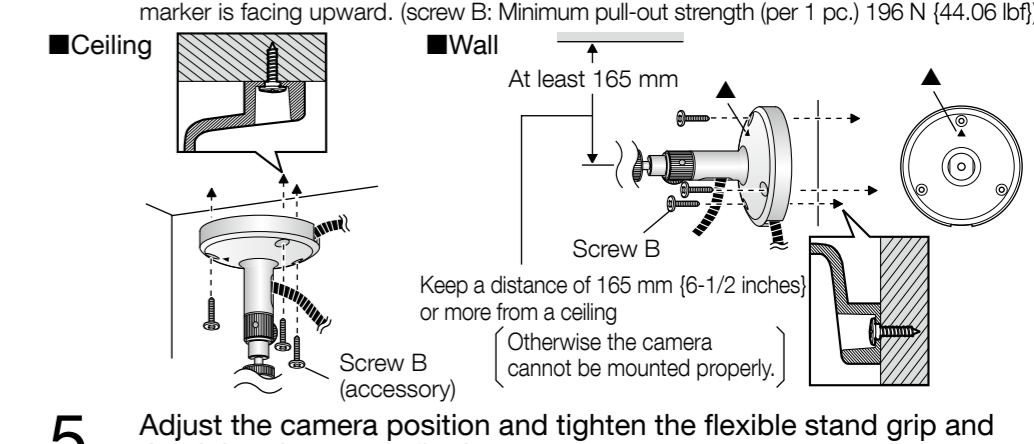
Installing the camera on the ceiling or wall

Adjust the camera to a suitable position/direction while confirming the images actually displayed on the computer screen.

Note
Make sure the live indicator is always in the lower right corner when you mount.

- Place the flexible stand on the ceiling or wall, and determine the mounting position of the stand.
 - Make sure the flexible stand is firmly mounted on a beam of wood (25 mm (31/32 inches) and greater) etc. When there is no beam, apply a board on the other side of the ceiling or wall to make sure the camera does not drop. (Minimum pull-out strength (per 1 pc.) 196 N (44.06 lbf-ft))
- Secure the safety wire (accessory) to the camera using screw A (accessory) and washer S (accessory). (Recommended tightening torque: 0.6 N-m (0.44 lbf-ft))
- Attach the camera by screwing the threaded mount into the stand mounting hole.

Mount the flexible stand firmly to the ceiling or wall with screw B (accessory).



- Adjust the camera position and tighten the flexible stand grip and the tightening screw firmly. The fixing position of the tightening screw can be adjusted according to the direction the camera is facing and its angle.
- Adjust the length of the safety wire when it is taut, and secure it to the ceiling or wall using screw B (accessory) and washer L (accessory). Attach the safety wire in a position so that if the camera were to become detached, it would not fall on nearby people. (screw B: Minimum pull-out strength (per 1 pc.) 196 N (44.06 lbf-ft))
 - Ceiling: Make sure to waterproof the opening of the duct so that water does not enter it.
 - Wall: Make sure to waterproof the opening of the duct so that water does not enter it.