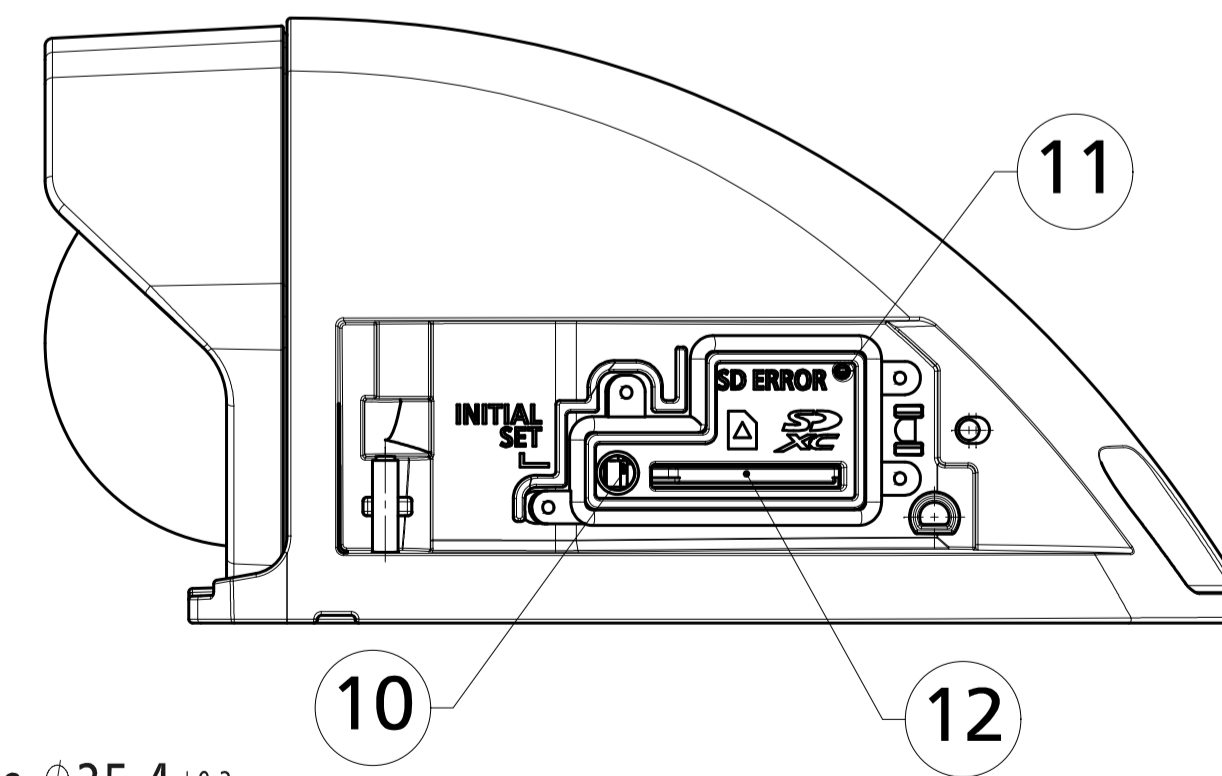
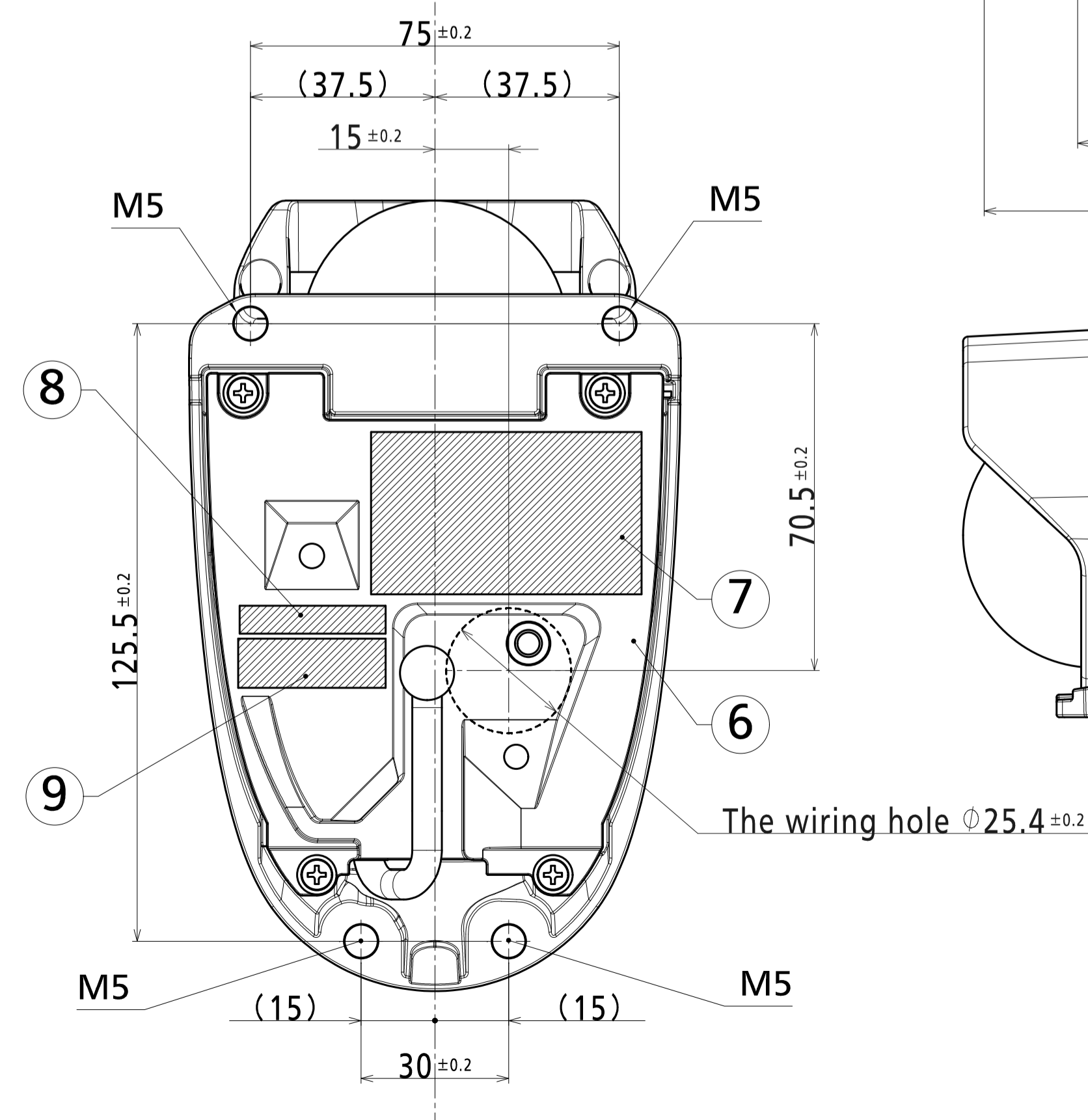
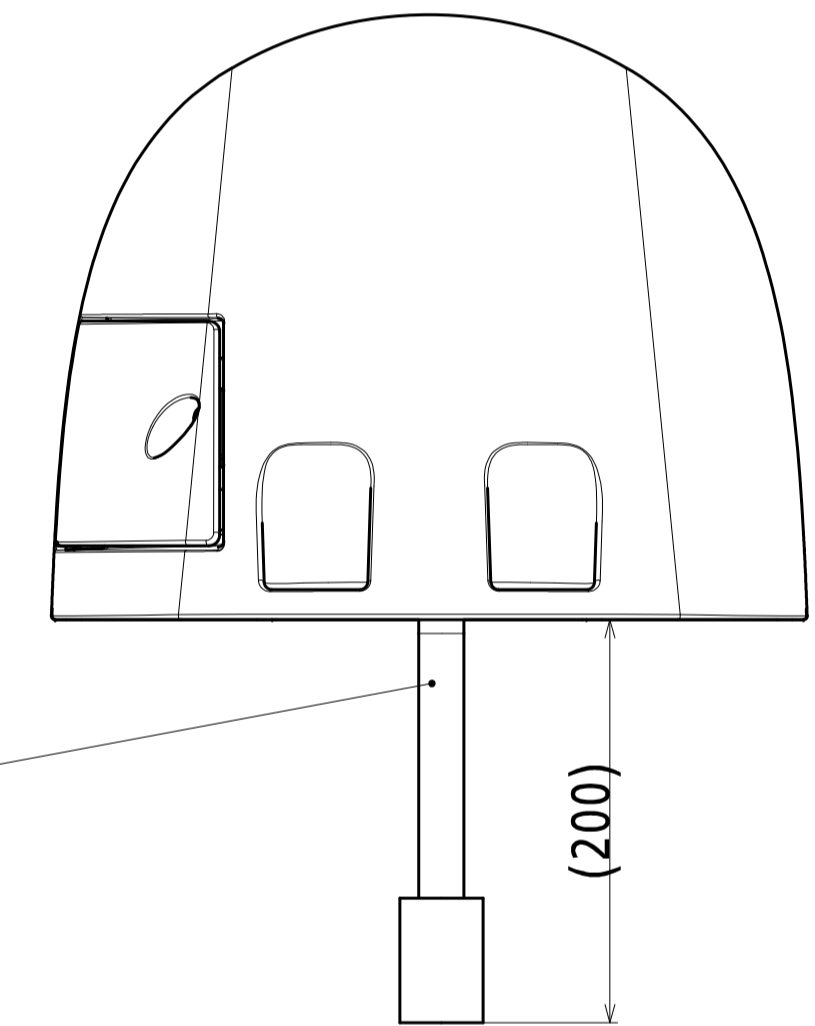
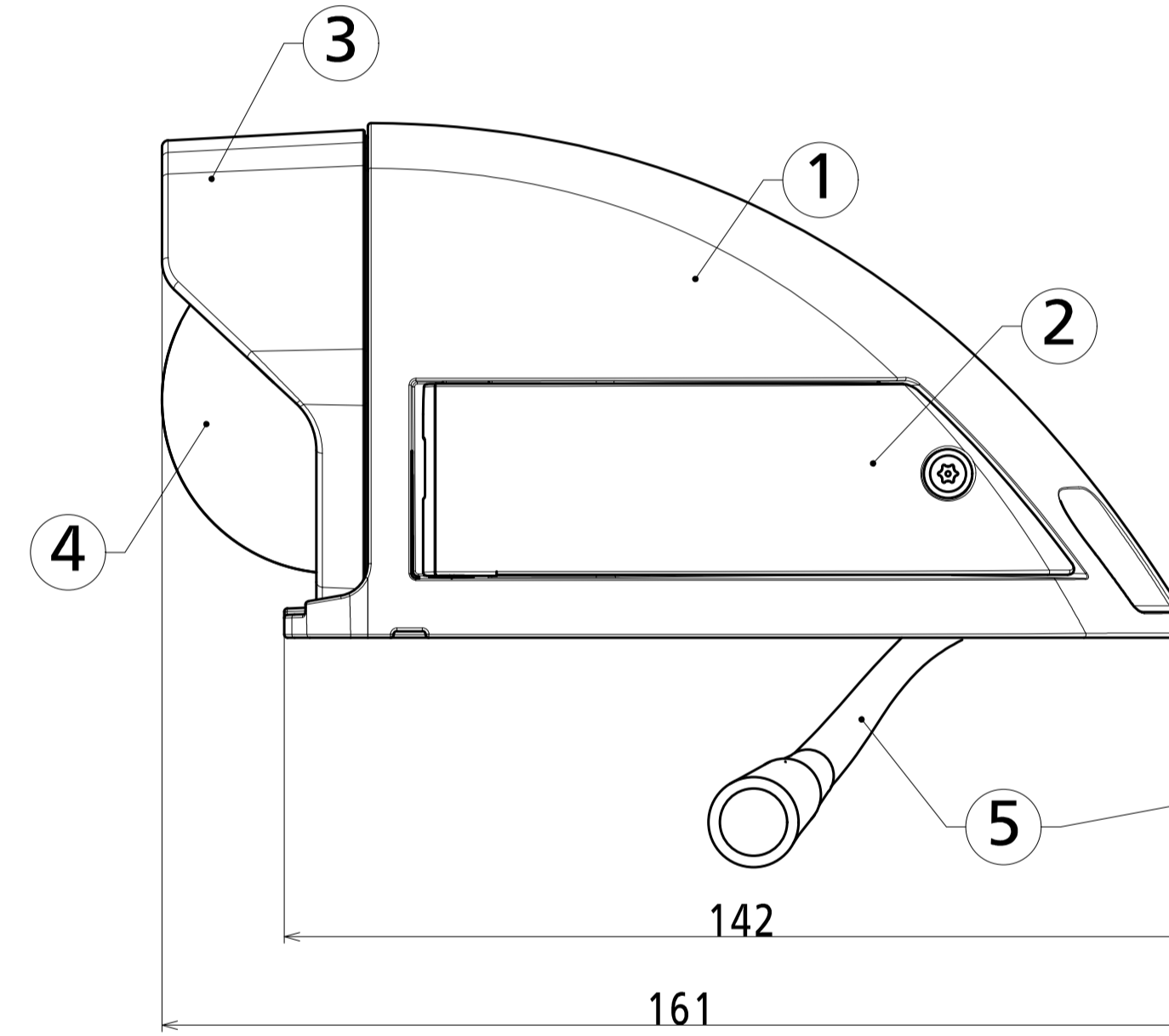
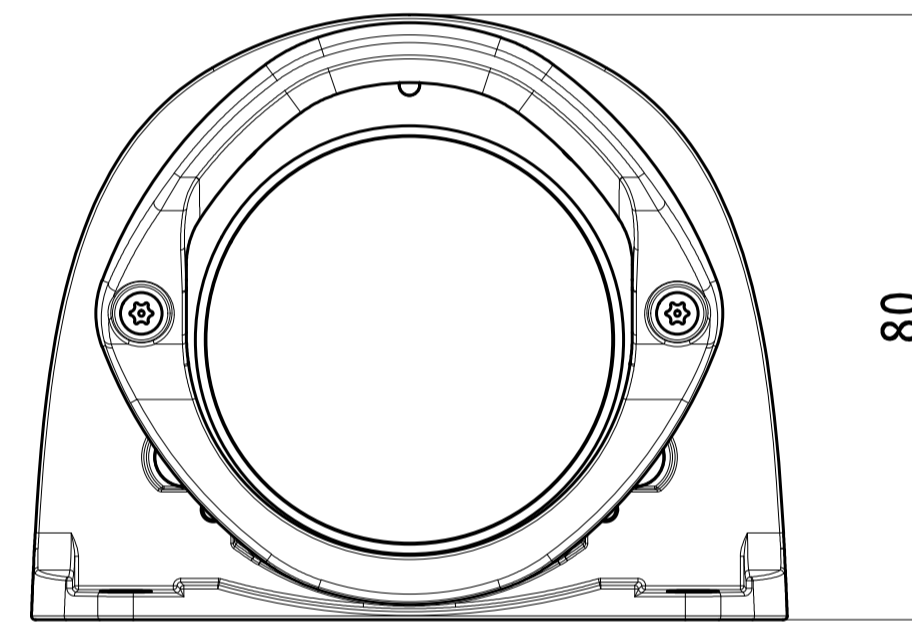
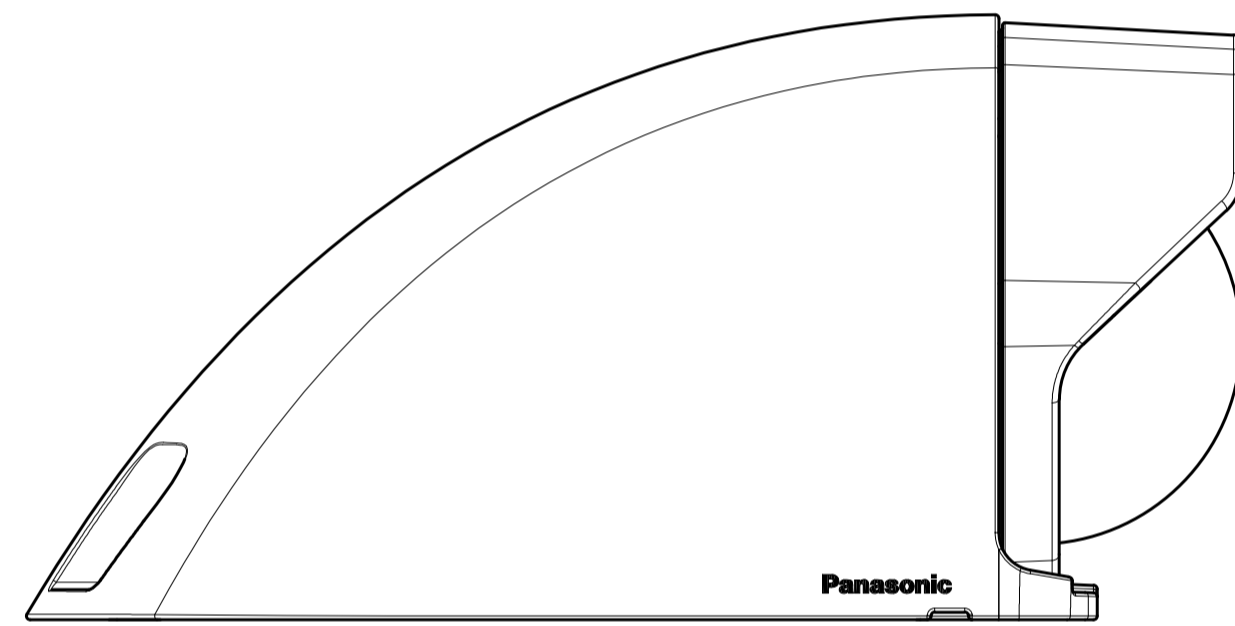
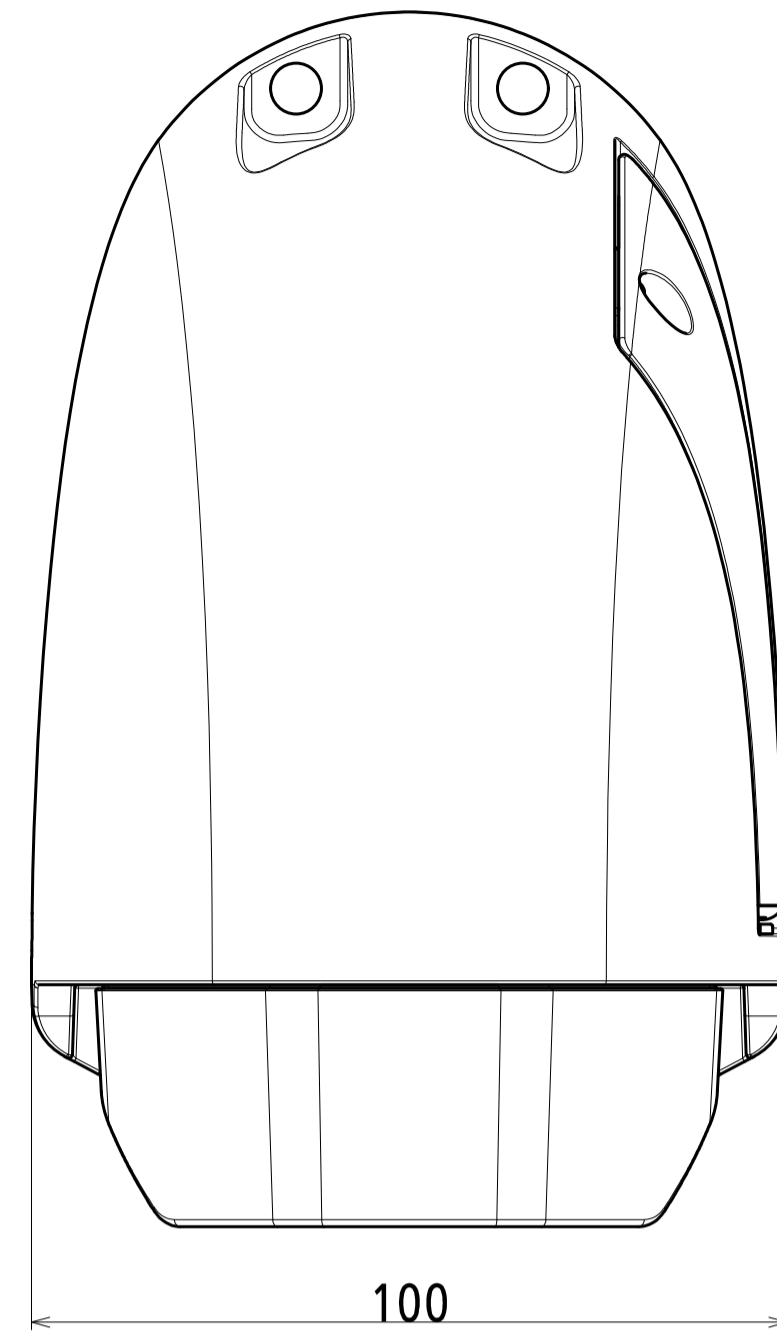


No.	Part Name	Material	Process · Remark
1	MAIN BODY	Aluminum	Coating(Light Gray)
2	SD COVER	Aluminum	Coating(Light Gray)
3	DOME GUARD	Plastic	
4	DOME	Plastic	
5	M12 CABLE	-	
6	BOTTOM COVER	Aluminum	Coating(Light Gray)
7	NAME LABEL	Polyester Film	
8	Serial Number Label	Polyester Film	
9	CODE LABEL	Polyester Film	
10	INITIAL SWITCH	-	
11	SD ERROR INDICATOR	-	
12	SD CARD SLOT	-	



WV-SBV111M
WV-SBV131M