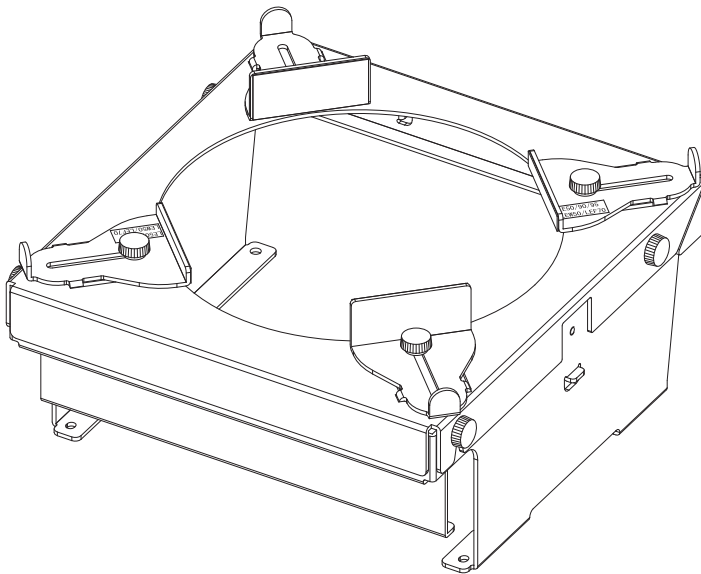


Panasonic®

Operating Instructions

Lens Fixed Attachment **Commercial Use**

Model No. **ET-PLF10**



ENGLISH

FRANÇAIS

日本語

Thank you for purchasing this Panasonic product.

- To ensure safe and correct use, please read this manual together with the operating instructions supplied with the projector carefully.
- **Before using this product, be sure to read “Read this first!” (➡Page 3).**
- Please save this manual for future use.



Contents

Read this first!	3
Before Use	4
Attaching	5
Preparing the Projection Lens	5
Preparing the Lens Fixing Attachment.....	5
Attaching the Lens Fixing Attachment	6
Attaching the Lens Hood	9
Specifications	11
External Dimensions	11

WARNING:

Before attaching the lens fixing attachment, be sure to turn off the power and disconnect the power plug from the wall outlet.

- Unexpected projection of light may cause injury to eyes.
- Replacing without removing the power plug may result in electrical shock.

Do not allow children to reach the supplied flat washers, spring washers, and thumbscrews.

- These items can cause personal injury if swallowed.
- If swallowed, seek medical help immediately.

CAUTION:

Do not touch any part or remove parts other than specified.

- Doing so may cause a loss of performance or safety.

Before Use

■ Overview

This product suppresses vibration of projection images due to vibration of the lens by fixing the projection lens of the projector.

■ Supported Projectors

PT-RQ32K, PT-RZ31K, and PT-RS30K series

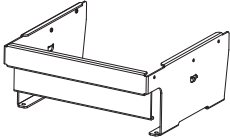
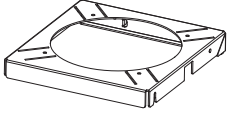
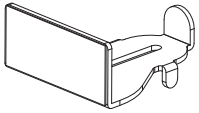
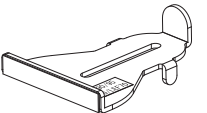



PT-RQ13K, PT-RZ12K, and PT-RS11K series

PT-RZ21K and PT-RS20K series

Note

- Models other than the above may also be supported. Refer to the operating instructions of the projector you are using.

■ Structural components

Part name	Appearance (quantity)	Application
Lens fixing attachment mount bracket	 x1	This part attaches to the projector unit. It is a bracket for attaching the lens fixing attachment bracket
Lens fixing attachment bracket	 x1	This part attaches to the lens fixing attachment mount bracket. It is a bracket for adjusting and fixing the positions of the lens fixing brackets.
Lens fixing bracket (A)	 x2	These fix a lens other than the ET-D75LE50 / ET-D75LE90 / ET-D75LE95 / ET-D3LEW50 / ET-D3LEF70.
Lens fixing bracket (B)	 x2	These fix the ET-D75LE50 / ET-D75LE90 / ET-D75LE95 / ET-D3LEW50 / ET-D3LEF70.
Screws and washers	Spring washer (M4)  x4	These are used for bracket assembly and fixing the lens fixing brackets.
	Flat washer (M4)  x4	
	Thumbscrew (M4 x 10)  x8	

Attaching

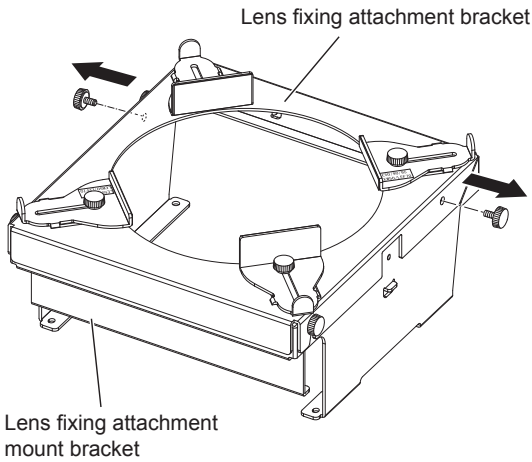
Preparing the Projection Lens

Attach the lens fixing attachment after installing and adjusting the lens.
If the lens hood, which is an accessory of the projector, is already mounted, it must first be removed.

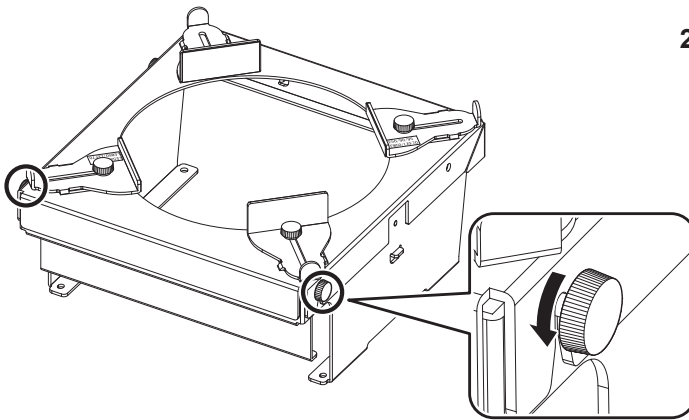
Attention

- The projection lens will be fixed after attaching the lens fixing attachment. Do not perform lens calibration or lens adjustment after the lens fixing attachment is attached.

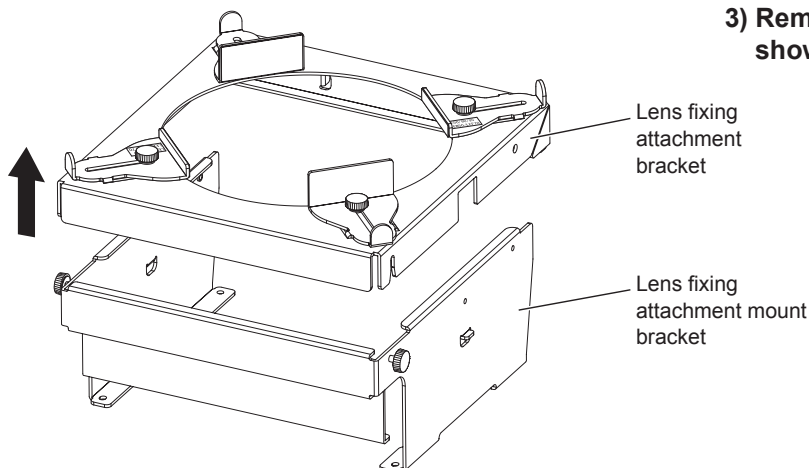
Preparing the Lens Fixing Attachment



- 1) Remove the two upper thumbscrews (inserted in round holes).



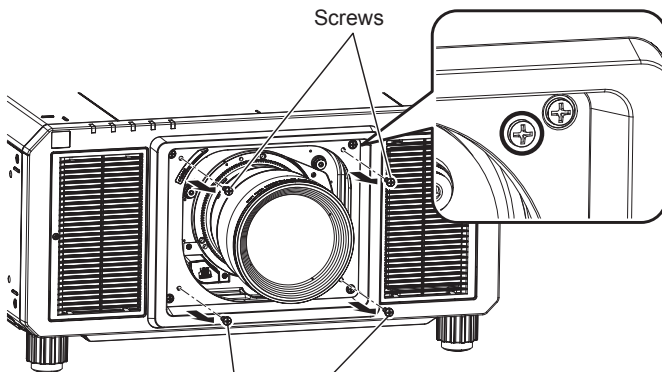
- 2) Loosen the two lower thumbscrews (inserted in slots).



- 3) Remove the lens fixing attachment bracket as shown in the figure.

Attaching (continued)

Attaching the Lens Fixing Attachment

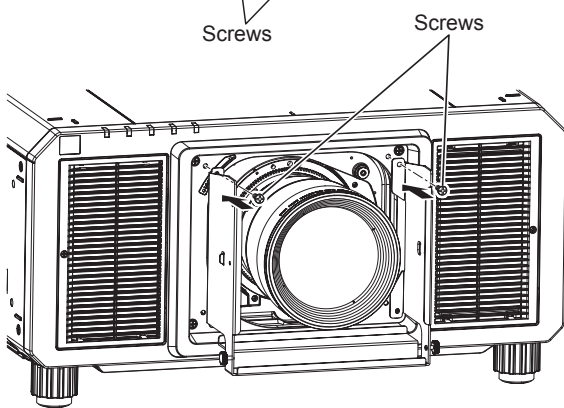


The illustrations for this procedure use the PT-RZ21K as an example.

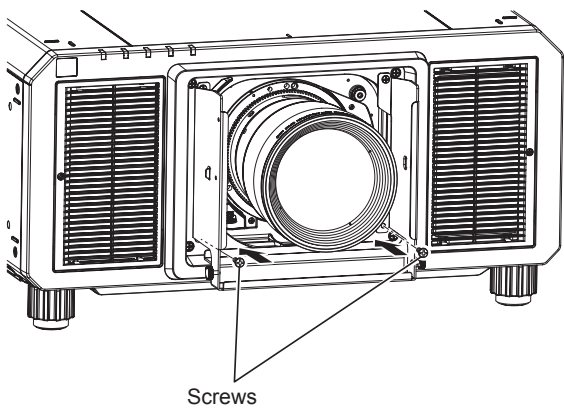
- 1) Of the screws that surround projection lens at its four corners (two screws at each corner) on the front of the projector, remove the inner screws (four screws total).

- For the following projectors, there is only one screw at each corner surrounding the projection lens. Remove the screws at each corner (four screws total) for these projectors.

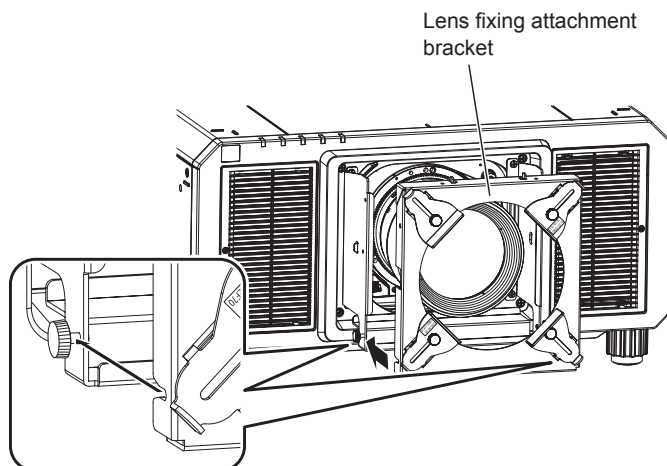
PT-RQ32K, PT-RZ31K, and PT-RS30K series
PT-RQ13K, PT-RZ12K, and PT-RS11K series



- 2) Fix the upper part the lens fixing attachment mount bracket using two of the screws that were removed in step 1.

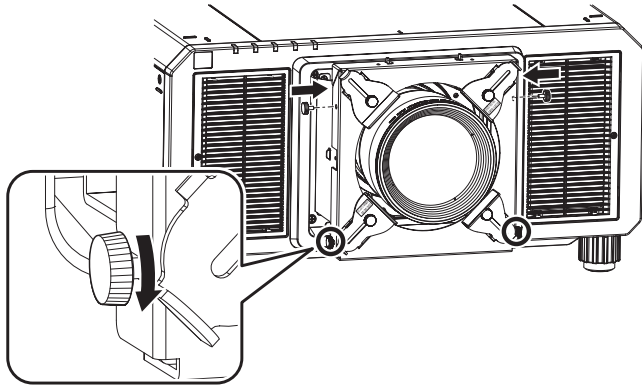


- 3) Fix the lower part of the lens fixing attachment mount bracket using the remaining two screws.



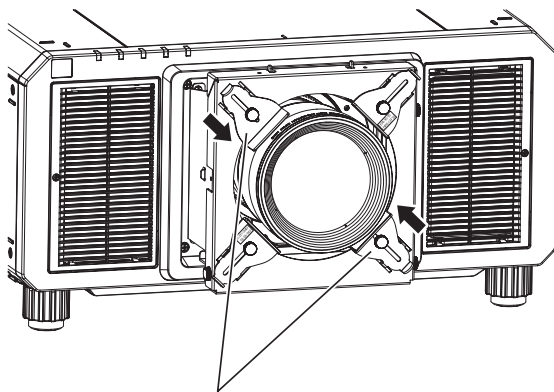
- 4) Attach the lens fixing attachment bracket to the lens fixing attachment mount bracket as shown in the figure.

Attaching (continued)



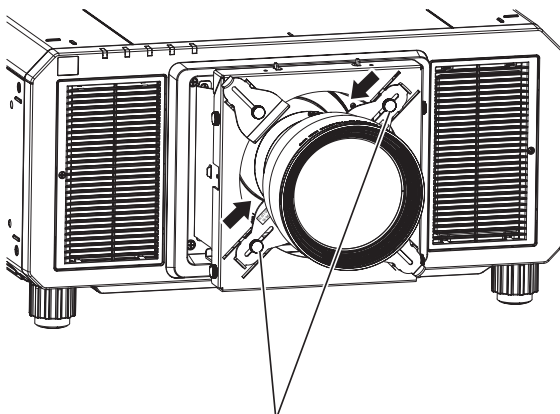
- 5) Fix the upper part of the lens fixing attachment bracket using the thumbscrews removed in step 1 of "Preparing the Lens Fixing Attachment."
- 6) Fix the lower part of the lens fixing attachment bracket by tightening the thumbscrews (two places).

When using a lens other than the
ET-D75LE50 / ET-D75LE90 /
ET-D75LE95 / ET-D3LEW50 /
ET-D3LEF70



Lens fixing brackets (A)

When using the ET-D75LE50 /
ET-D75LE90 / ET-D75LE95 /
ET-D3LEW50 / ET-D3LEF70



Lens fixing brackets (B)

- 7) Loosen the two thumbscrews of the lens fixing brackets.
- 8) Push the lens fixing brackets up against the lens, and then fix them in place by tightening the two thumbscrews.

Attention

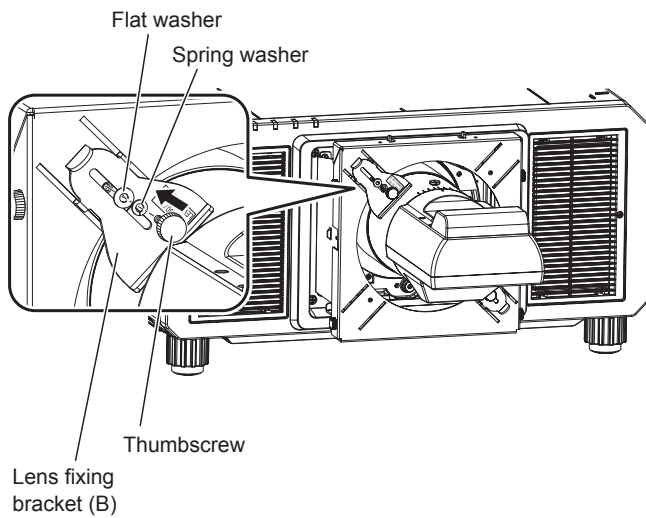
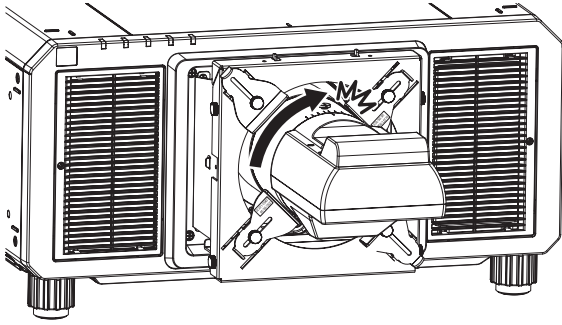
- The lens fixing brackets to be used differ depending on the projection lens that is installed on the projector.
When using a lens other than the ET-D75LE50 / ET-D75LE90 / ET-D75LE95 / ET-D3LEW50 / ET-D3LEF70, use lens fixing brackets (A).
When using the ET-D75LE50 / ET-D75LE90 / ET-D75LE95 / ET-D3LEW50 / ET-D3LEF70, use lens fixing brackets (B). The following indication appears on lens fixing brackets (B).

LE50/90/95
LEW50/LEF70

Note

- When using a projection lens other than the ET-D75LE50 / ET-D75LE90 / ET-D75LE95 / ET-D3LEW50 / ET-D3LEF70, lens fixing brackets (B) may come into contact with the projection lens when the lens fixing attachment bracket is attached, depending on the adjustment state of the lens shift.
In such cases, use the projector with lens fixing brackets (B) removed. Safely store the removed lens fixing brackets (B), thumbscrews, spring washers, and flat washers so as not to lose them.
- When this product is attached, the projector's active focus optimizer function may not operate properly. In such cases, do not press the lens fixing brackets onto the projection lens with excessive force.

Attaching (continued)



<When using the ET-D75LE90 / ET-D75LE95 lens>

The lock screw of the peripheral focus adjustment ring may come into contact with lens fixing brackets (B) during focus adjustment, preventing you from adjusting to the optimal focus. In such cases, reattach lens fixing brackets (B) in the positions for lens fixing brackets (A).

When attaching the lens fixing brackets (B), attach the spring washers and then the flat washers to the thumbscrews before attaching them to the unit. Safely store the removed lens fixing brackets (A), thumbscrews, spring washers, and flat washers so as not to lose them.

Note

- When this product is attached, the projector's active focus optimizer function may not operate properly. In such cases, do not press the lens fixing brackets onto the projection lens with excessive force.

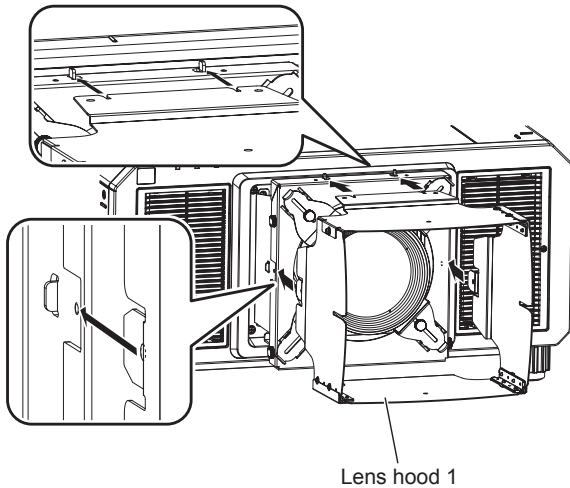
Attaching (continued)

Attaching the Lens Hood

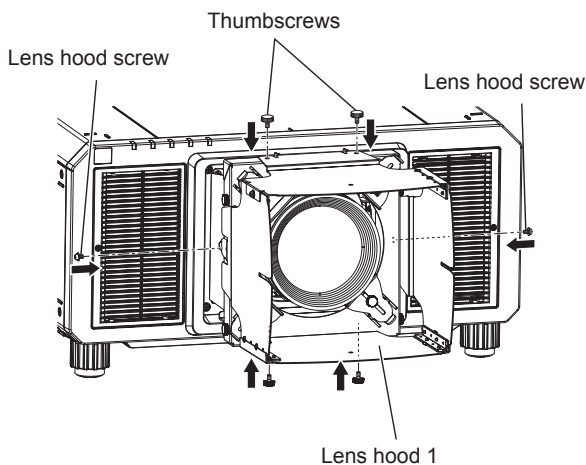
If you need to attach the lens hood, attach it after attaching the lens fixing attachment.

Attention

- When mounting the lens hood supplied with the projector to the projector, be sure to request installation from your dealer or certified personnel.
Be sure to hand this manual and the "Mounting the lens hood" document supplied with the projector to the personnel performing the installation. After installation, have the installation personnel return these documents to you, and store them for future reference.



1) Attach lens hood 1 to the lens fixing attachment.

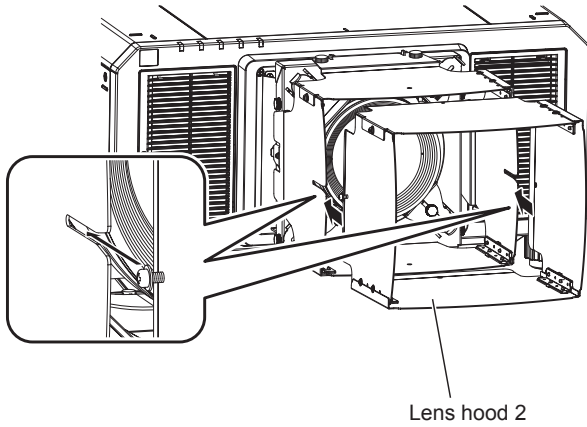


2) Tighten the lens hood screws (two places) and thumbscrews (two places) to fix lens hood 1.

Attaching (continued)

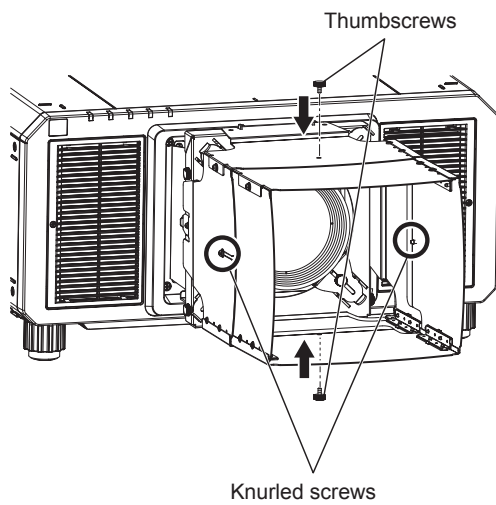
<When using the ET-D75LE8 / ET-D75LE40>

1) Attach lens hood 2 to lens hood 1.



2) Attach the thumbscrews (one place each at top and bottom) to fix lens hood 2.

3) Tighten the left and right lens hood screws (one on each side) of lens hood 2.

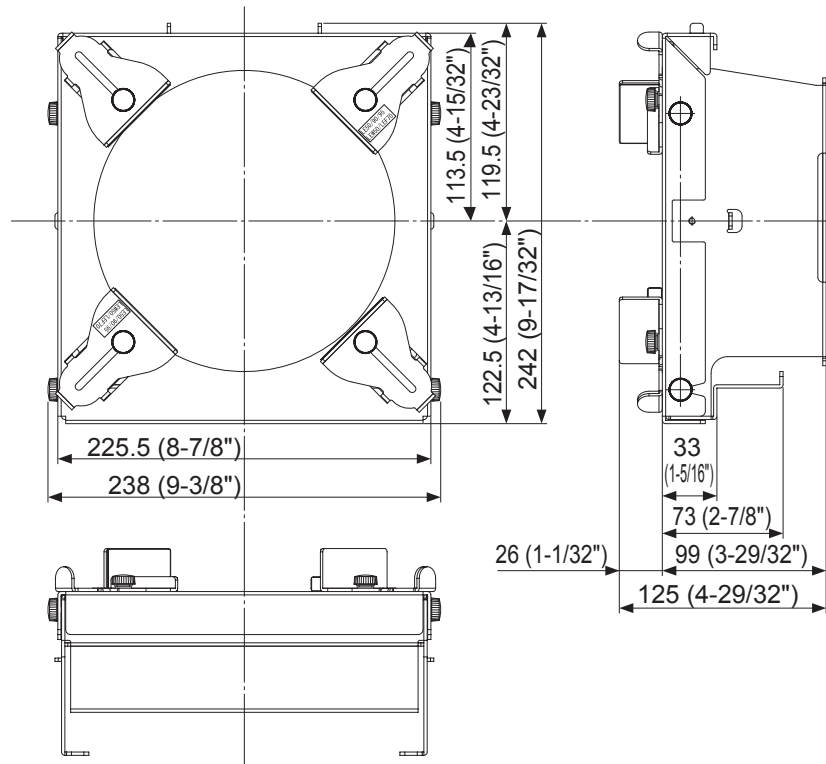


Specifications

External dimensions	Width: 238 mm (9-3/8") Height: 125 mm (4-29/32") Depth: 242 mm (9-17/32")
Weight	Approx. 0.68 kg (1.5 lb)

External Dimensions

(Unit: mm)



English

Manufactured by:

Panasonic Connect Co., Ltd.
4-1-62 Minoshima, Hakata-ku, Fukuoka 812-8531, Japan

Importer:

Panasonic Connect Europe GmbH

Authorized Representative in EU:

Panasonic Testing Centre
Winsbergring 15, 22525 Hamburg, Germany

Importer for UK;

Panasonic Connect UK,
a branch of Panasonic Connect Europe GmbH,
Maxis 2, Western Road, Bracknell, Berkshire, RG12 1RT

Čeština

Vyrobil:

Panasonic Connect Co., Ltd.
4-1-62 Minoshima, Hakata-ku, Fukuoka 812-8531, Japonsko

Dovozce:

Panasonic Connect Europe GmbH

Oprávněný zástupce v EU:

Panasonic Testing Centre
Winsbergring 15, 22525 Hamburg, Německo

Français

Fabriqué par:

Panasonic Connect Co., Ltd.
4-1-62 Minoshima, Hakata-ku, Fukuoka 812-8531, Japon

Importateur :

Panasonic Connect Europe GmbH

Représentant autorisé dans l'UE :

Panasonic Testing Centre
Winsbergring 15, 22525 Hambourg, Allemagne

Dansk

Fremstillet af:

Panasonic Connect Co., Ltd.
4-1-62 Minoshima, Hakata-ku, Fukuoka 812-8531, Japan

Importør:

Panasonic Connect Europe GmbH

Autoriseret repræsentant i EU:

Panasonic Testing Centre
Winsbergring 15, 22525 Hamburg, Tyskland

Español

Fabricado por:

Panasonic Connect Co., Ltd.
4-1-62 Minoshima, Hakata-ku, Fukuoka 812-8531, Japón

Importador:

Panasonic Connect Europe GmbH

Representante Autorizado para la UE:

Panasonic Testing Centre
Winsbergring 15, 22525 Hamburgo, Alemania

Eesti

Tootja:

Panasonic Connect Co., Ltd.
4-1-62 Minoshima, Hakata-ku, Fukuoka 812-8531, Jaapan

Maaletooja:

Panasonic Connect Europe GmbH

Volitatud esindaja ELis:

Panasonic Testing Centre
Winsbergring 15, 22525 Hamburg, Saksamaa

Deutsch

Hergestellt von:

Panasonic Connect Co., Ltd.
4-1-62 Minoshima, Hakata-ku, Fukuoka 812-8531, Japan

Importeur:

Panasonic Connect Europe GmbH

Vertretungsberechtigter in der EU:

Panasonic Testing Centre
Winsbergring 15, 22525 Hamburg, Deutschland

Ελληνικά

Κατασκευάστηκε από:

Panasonic Connect Co., Ltd.
4-1-62 Minoshima, Hakata-ku, Fukuoka 812-8531, Ιαπωνία

Εισαγωγέας:

Panasonic Connect Europe GmbH

Εξουσιοδοτημένος αντιπρόσωπος στην ΕΕ:

Panasonic Testing Centre
Winsbergring 15, 22525 Hamburg, Γερμανία

Italiano

Fabbricato da:

Panasonic Connect Co., Ltd.
4-1-62 Minoshima, Hakata-ku, Fukuoka 812-8531, Giappone

Importatore:

Panasonic Connect Europe GmbH

Rappresentante autorizzato nell'UE:

Panasonic Testing Centre
Winsbergring 15, 22525 Amburgo, Germania

Hrvatski

Proizvodi:

Panasonic Connect Co., Ltd.
4-1-62 Minoshima, Hakata-ku, Fukuoka 812-8531, Japan

Uvoznik:

Panasonic Connect Europe GmbH

Ovlašteni zastupnik u EU-u:

Panasonic Testing Centre
Winsbergring 15, 22525 Hamburg, Njemačka

Български

Производител:

Panasonic Connect Co., Ltd.
4-1-62 Minoshima, Hakata-ku, Fukuoka 812-8531, Япония

Вносител:

Panasonic Connect Europe GmbH

Упълномощен представител в ЕС:

Panasonic Testing Centre
Winsbergring 15, 22525 Hamburg, Германия

Latviešu

Ražotājs:

Panasonic Connect Co., Ltd.
4-1-62 Minoshima, Hakata-ku, Fukuoka 812-8531, Japāna

Importētājs:

Panasonic Connect Europe GmbH

Oficiālais pārstāvis ES:

Panasonic Testing Centre
Winsbergring 15, 22525 Hamburg, Vācija

Lietuvių

Gamintojas:

Panasonic Connect Co., Ltd.
4-1-62 Minoshima, Hakata-ku, Fukuoka 812-8531, Japonija

Importuotojas:

Panasonic Connect Europe GmbH

Igaliotasis atstovas ES:

Panasonic Testing Centre
Winsbergring 15, 22525 Hamburgas, Vokietija

Română

Fabricat de:

Panasonic Connect Co., Ltd.
4-1-62 Minoshima, Hakata-ku, Fukuoka 812-8531, Japonia

Importator:

Panasonic Connect Europe GmbH

Reprezentant autorizat în UE:

Panasonic Testing Centre
Winsbergring 15, 22525 Hamburg, Germania

Magyar

Gyártotta:

Panasonic Connect Co., Ltd.
4-1-62 Minoshima, Hakata-ku, Fukuoka 812-8531, Japán

Importőr:

Panasonic Connect Europe GmbH

Hivatalos képviselő az EU-ban:

Panasonic Testing Centre
Winsbergring 15, 22525 Hamburg, Németország

Slovenčina

Výrobca:

Panasonic Connect Co., Ltd.
4-1-62 Minoshima, Hakata-ku, Fukuoka 812-8531, Japonsko

Dovozca:

Panasonic Connect Europe GmbH

Autorizovaný zástupca v EÚ:

Panasonic Testing Centre
Winsbergring 15, 22525 Hamburg, Nemecko

Nederlands

Geproduceerd door:

Panasonic Connect Co., Ltd.
4-1-62 Minoshima, Hakata-ku, Fukuoka 812-8531, Japan

Importeur:

Panasonic Connect Europe GmbH

Bevoegde vertegenwoordiger in de EU:

Panasonic Testing Centre
Winsbergring 15, 22525 Hamburg, Duitsland

Slovenščina

Proizvajala:

Panasonic Connect Co., Ltd.
4-1-62 Minoshima, Hakata-ku, Fukuoka 812-8531, Japonska

Uvoznik:

Panasonic Connect Europe GmbH

Pooblaščen zastopnik v EU:

Panasonic Testing Centre
Winsbergring 15, 22525 Hamburg, Nemčija

Norsk

Produsert av:

Panasonic Connect Co., Ltd.
4-1-62 Minoshima, Hakata-ku, Fukuoka 812-8531, Japan

Importør:

Panasonic Connect Europe GmbH

Autorisert representant i EU:

Panasonic Testing Centre
Winsbergring 15, 22525 Hamburg, Tyskland

Türkçe

Tarafından Üretilmiştir:

Panasonic Connect Co., Ltd.
4-1-62 Minoshima, Hakata-ku, Fukuoka 812-8531, Japonya

İthalatçı:

Panasonic Connect Europe GmbH

AB Yetkili Temsilcisi:

Panasonic Testing Centre
Winsbergring 15, 22525 Hamburg, Almanya

Polski

Wyprodukowano przez:

Panasonic Connect Co., Ltd.
4-1-62 Minoshima, Hakata-ku, Fukuoka 812-8531, Japonia

Importer:

Panasonic Connect Europe GmbH

Upoważniony przedstawiciel w UE:

Panasonic Testing Centre
Winsbergring 15, 22525 Hamburg, Niemcy

Suomi

Valmistaja:

Panasonic Connect Co., Ltd.
4-1-62 Minoshima, Hakata-ku, Fukuoka 812-8531, Japani

Maahantuaja:

Panasonic Connect Europe GmbH

Valtuutettu edustaja EU:ssa:

Panasonic Testing Centre
Winsbergring 15, 22525 Hampuri, Saksa

Português

Fabricado por:

Panasonic Connect Co., Ltd.
4-1-62 Minoshima, Hakata-ku, Fukuoka 812-8531, Japão

Importador:

Panasonic Connect Europe GmbH

Representante Autorizado na UE:

Panasonic Testing Centre
Winsbergring 15, 22525 Hamburgo, Alemanha

Svenska

Tillverkad av:

Panasonic Connect Co., Ltd.
4-1-62 Minoshima, Hakata-ku, Fukuoka 812-8531, Japan

Importör:

Panasonic Connect Europe GmbH

Auktoriserad representant i EU:

Panasonic Testing Centre
Winsbergring 15, 22525 Hamburg, Tyskland

MEMO

MEMO

Panasonic Connect Co., Ltd.

Web Site : <https://panasonic.net/cns/projector/>

© Panasonic Connect Co., Ltd. 2022

SS1216AM2042 -PS
Printed in Japan