

Specifications

Main unit

Power supply		AC 100V - 240V, 50Hz/60Hz
Power consumption		880 W (890VA) NORMAL: 770W ECO: 590W SHUTTER: 100W *Operating Temperature: 25 °C (77 °F), Altitude: 700m (2,297 ft), IEC62087: 2008 Broadcast contents, Picture mode: Standard, Dynamic Contrast2
		STANDBY MODE [ECO]: 0.5W STANDBY MODE [NORMAL]: 8W STANDBY MODE (When the [QUICK STARTUP] function is enabled): Approx. 100W
BTU value		Max 3,003 BTU
DLP™ chip	Panel size	17.0 mm (0.67 in) diagonal (16:10 aspect ratio)
	Projection system	DLP™ chip × 1, DLP™ system
	Pixels	2,304,000 (1920 × 1200)
Light source		Laser Diode
Light output*1		8,000 lm*2 / 8,400 lm(Center)*3 (When [OPERATING MODE] is set to [NORMAL]) 6,400 lm (When [OPERATING MODE] is set to [ECO]) 6,400 lm (When [OPERATING MODE] is set to [QUIET])
Time until light output declines to 50 %*4		20,000 hours (NORMAL)/24,000 hours (ECO)
Resolution		4,608,000 pixels (2715x1697)
Contrast*2		10,000:1 (All White/All Black) (Dynamic Contrast3)
Screen size		1.27–15.24 m (50–600 inches) (16:10 aspect ratio) *2.54–10.15m (100–400 inches) with ET-DLE020 (16:10aspect ratio) *1.27–5.08 m (50–200 inches) with the ET-DLE055 (16:10 aspect ratio) *2.54–8.89 m (100–350 inches) with the ET-DLE035 (16:10 aspect ratio)
Center-to-corner uniformity*2		90%
Lens	PT-RCQ80B/W	Powered zoom/focus lenses (1.7–2.4:1), F 1.7–1.9, f 25.6–35.7 mm
	PT-RCQ80LB/LW	Optional powered zoom/focus lenses and fixed-focus lens
Compatible signal	HDMI	Moving image signal resolution: 480/60p, 576/50p to 4096 × 2160 Still image signal resolution: 640 × 480 to 3840 × 2400 (non-interlace) Dot clock frequency: 25 MHz to 594 MHz
	DVI-D	Moving image signal resolution: 480/60p, 576/50p to 1920 × 1080 Still image signal resolution: 640 × 480 to 1920 × 1200 (non-interlace) Dot clock frequency: 25 MHz to 162 MHz
	SDI	HD-SDI signal 3G-SDI signal 6G-SDI signal*5 12G-SDI signal*5
	DIGITAL LINK	Moving image signal resolution: 480/60p, 576/50p to 4096 × 2160 Still image signal resolution: 640 × 480 to 1920 × 1200 (non-interlace) Dot clock frequency: 25 MHz to 297 MHz
	DisplayPort*6	Moving image signal resolution: 720/60p to 4096 × 2160 Still image signal resolution: 640 × 480 to 3840 × 2400 (non-interlace) Dot clock frequency: 25 MHz to 594 MHz

*1 Value is for the supplied standard zoom lens. The value varies depending on the lens.

*2 Measurement, measuring conditions, and method of notation all comply with ISO/IEC 21118:2012 international standards.

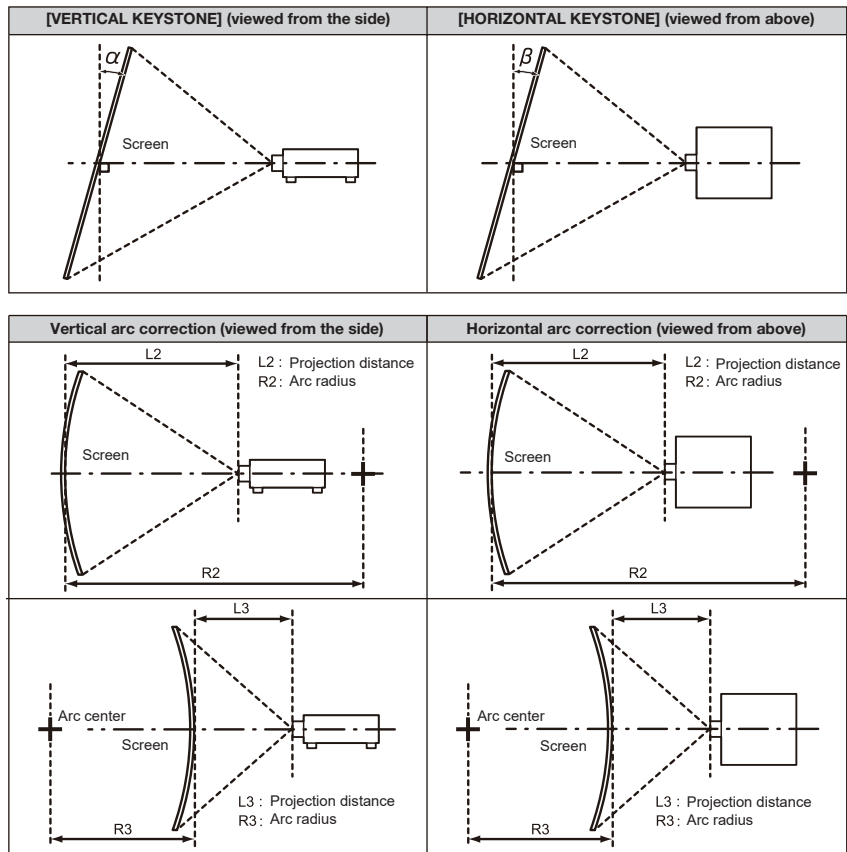
*3 Average light-output value of all shipped products measured at center of screen in NORMAL Mode.

*4 Around this time, light output will have decreased by approximately 50 %. IEC62087: 2008 Broadcast contents, NORMAL Mode, Dynamic Contrast [3], under conditions with 30 °C (86 °F), 700 m (2,297 ft) above sea level, and 0.15 mg/m³ of particulate matter. Estimated time until light output declines to 50 % varies depending on environment.

*5 This is supported when the Interface Board for 12G-SDI input (Model No.: ET-MDN12G10) is installed in the slot.

*6 This is supported when the optional Interface Board for DisplayPort 2input (Model No.: ET-MDNDP10) is installed in the slot.

Geometry correction range



Projection lens Model No.	Only [KEystone] used		[KEystone] and [CURVED] used together				Only [CURVED] used	
	Vertical keystone correction angle α (°)	Horizontal keystone correction angle β (°)	Vertical keystone correction angle α (°)	Horizontal keystone correction angle β (°)	Min. value of R2/L2	Min. value of R3/L3	Min. value of R2/L2	Min. value of R3/L3
ET-DLE020	±5	0	—	—	—	—	—	—
ET-DLE035*6	+5/-0	0	—	—	—	—	—	—
ET-DLE055	±22	±15	±8	±8	1.7	4.3	1	2.6
ET-DLE060	±16	±10	—	—	—	—	—	—
ET-DLE085	±22	±15	±8	±8	1.7	4.3	1	2.6
ET-DLE105	±22	±15	±8	±8	1.7	4.3	1	2.6
ET-DLE150	±40	±15	±20	±15	1.1	2.6	0.6	1.5
ET-DLE170	±40	±15	±20	±15	0.9	1.7	0.5	1
ET-DLE250	±40	±15	±20	±15	0.7	1.3	0.4	0.7
ET-DLE350	±40	±15	±20	±15	0.4	0.8	0.3	0.5
ET-DLE450	±40	±15	±20	±15	0.3	0.6	0.2	0.3

When using the optional Upgrade Kit (Model No.: ET-UK20)

Projection lens Model No.	Only [KEystone] used*7		[KEystone] and [CURVED] used together				Only [CURVED] used	
	Vertical keystone correction angle α (°)	Horizontal keystone correction angle β (°)	Vertical keystone correction angle α (°)	Horizontal keystone correction angle β (°)	Min. value of R2/L2	Min. value of R3/L3	Min. value of R2/L2	Min. value of R3/L3
ET-DLE020	±5	0	—	—	—	—	—	—
ET-DLE035*6	+5/-0	0	—	—	—	—	—	—
ET-DLE055	±22	±15	±8	±8	1.3	3.3	0.8	1.9
ET-DLE060	±16	±10	—	—	—	—	—	—
ET-DLE085	±22	±15	±8	±8	1.3	3.3	0.8	1.9
ET-DLE105	±22	±15	±8	±8	1.3	3.3	0.8	1.9
ET-DLE150	±40	±40	±20	±15	0.9	2	0.5	1.1
ET-DLE170	±40	±40	±20	±15	0.7	1.3	0.4	0.7
ET-DLE250	±40	±40	±20	±15	0.5	1	0.3	0.6
ET-DLE350	±45	±40	±20	±15	0.3	0.6	0.2	0.4
ET-DLE450	±45	±40	±20	±15	0.2	0.4	0.2	0.3

Lens shift		Vertical: +50%, -16%(powered) (When using the ET-DLE060, +40%, -16%) Horizontal: +30%, -10%(powered) (When using the ET-DLE060, +19%, -10%) (When using the ET-DLE085/ET-DLE105, +28%, -10%) (When using the ET-DLE020, +10%, -20%) NOTE: Lens shift function cannot be operated when used with the ET-DLE055. If using the ET-DLE035, the lens is fixed.
Installation		Ceiling/floor, front/rear
Terminals	DVI-D IN	DVI-D 24-pin × 1, DVI 1.0 compliant, compatible with HDCP, for single link only
	HDMI IN IN	HDMI 19-pin × 1, Deep Color, compatible with HDCP2.2, 4K/60p signal*8
	SDI IN	BNC × 1, HD-SDI signal: SMPTE ST 292 compliant 3G-SDI signal: SMPTE ST 424, 425-2 compliant
	MULTI PROJECTOR SYNC IN	BNC × 1 TTL Hi-z
	MULTI PROJECTOR SYNC OUT	BNC × 1 TTL max 10mA
	SERIAL IN	D-sub 9-pin (female) × 1 for external control (RS-232C compliant)
	SERIAL OUT	D-sub 9-pin (male) × 1 for link control
	REMOTE 1 IN	M3 jack × 1 for wired remote control
	REMOTE 1 OUT	M3 jack × 1 for link control (for wired remote control)
	REMOTE 2 IN	D-sub 9-pin (female) × 1 for external control (parallel)
	DIGITAL LINK/LAN	RJ-45 × 1 for network, DIGITAL LINK connection (HDBaseT™ compliant), 100Base-TX, compatible with Art-Net, PJLink™ (Class 2), eep Color, HDCP 2.2, 4K/60p signal*8
	LAN	RJ-45 × 1 for network connection, PJLink (class 2) compatible, 10Base-T/100Base-TX, Art-Net compatible
	USB	USB Type A × 1, for USB memory stick/Wireless Module (Option:AJ-WM50GT), for power supply (DC5V, max 500mA)
SLOT		SLOT 1 (vacant) for interface boards, SLOT NX compatible
Power cord length		3.0 m (9 ft10 in)
Cabinet materials		Molded plastic
Dimensions (W × H × D)*9	PT-RCQ80B/PT-RCQ80W	498 × 200 × 581 mm (19-19/32 × 7-7/8 × 22-7/8in) with lens
	PT-RCQ80LB/PT-RCQ80LW	498 × 200 × 538 mm (19-19/32 × 7-7/8 × 21-3/16in) without lens
Weight	PT-RCQ80B/PT-RCQ80W	Approx. 24.2 kg (52.5 lbs.) with lens
	PT-RCQ80LB/PT-RCQ80LW	Approx. 23.4 kg (51.6 lbs.) without lens
Operation noise		40 dB[NORMAL] /38 dB[QUIET]
Laser Classification	Laser Class	USA and Canada: Class 3R (IEC 60825-1:2007) Other countries or regions: Class 1 (IEC/EN 60825-1:2014)
	Risk Group	ET-DLE020, ET-DLE035, ET-DLE055, ET-DLE060, ET-DLE085, ET-DLE105, ET-DLE150, Standard zoom lens ET-DLE170 Risk Group 2 (IEC 62471-5:2015)
		ET-DLE250, ET-DLE350, ET-DLE450 Risk Group 3 (IEC 62471-5:2015)
Operating temperature		0–45 °C (32–113 °F)*10
Operating humidity		10%–80% (no condensation)

Remote control unit

Power supply	3 V DC (AAA/R03/LR03 battery × 2)
Operation range	Approx. 30 m (98 ft5 in) when operated from directly in front of the signal receptor
Dimensions (W × H × D)	48 × 145 × 27 mm (1-7/8 × 5-23/32 × 1-1/16 in)
Weight*11	Approx. 102 g (3.6 ozs.) including batteries

Other Applications

Multi Monitoring and Control Software (for Windows)
 Logo Transfer Software (for Windows)
 Geometry Manager Pro (for Windows)
 Smart Projector Control (iOS/Android)

Supplied accessories

Power cord with secure lock (× 1) (× 2 for Europe / ASIA models)
 Wireless/wired remote control unit (× 1)
 Batteries for remote control (AAA/R03 or AAA/LR03 battery × 2)
 Lens Mount Cover (× 1)
 Lens cover (× 1) (Only models with lens)

Optional accessories

Digital interface box	ET-YFB100G	Interface Board for DisplayPort	ET-MDNDP10
Digital LINK Switcher	ET-YFB200G	DVI-D input signal board	ET-MDNDV10
Zoom lens	ET-DLE020	HDMI input signal board	ET-MDNHM10
Zoom lens	ET-DLE060	12G-SDI signal board	ET-MDN12G10
Zoom lens	ET-DLE085	12G-SDI optical signal board	ET-MDNFB10
Zoom lens	ET-DLE105	Ceiling mount bracket	ET-PKD120H (for high ceilings)
Zoom lens	ET-DLE150		ET-PKD120S (for low ceilings)
Zoom lens	ET-DLE170	High-ceiling mount bracket	ET-PKD130H
	(same as supplied lens)	(6-axis adjustment mechanism)	
Zoom lens	ET-DLE250	Attachment for ceiling mount bracket	ET-PKD130B
Zoom lens	ET-DLE350	Geometry Manager Pro Upgrade kit	ET-UK20
Zoom lens	ET-DLE450	Auto Screen Adjustment Upgrade kit	ET-CUK10/CUK10P
Fixed-focus lens	ET-DLE035	Early Warning Software	ET-SWA100*12
Fixed-focus lens	ET-DLE055	Wireless Module	AJ-WM50
		NFC Upgrade Kit	ET-NUK10*12*13

*6 When [VERTICAL KEYSTONE] and [HORIZONTAL KEYSTONE] are used simultaneously, correction cannot be made exceeding total of 55°.

- When [GEOMETRY] is used, the focus of the entire screen may be lost as correction increases.
- Make the curved screen a circular arc shape with one part of a perfect circle removed.
- Adjustment range of the [GEOMETRY] items may not match the listed projection range depending on the projection lens. Use this projector within the projection range, otherwise the correction may not work.

*7 Only compatible with dot clock frequency of 27 MHz (pixel repetition signal).

*8 4K/60p signals are converted to the projector's resolution (1920 x 1200 pixels) upon projection. Supported terminals: DIGITAL LINK/HDMI®

*9 With legs at shortest position.

*10 Limits the luminance when used in locations from 0m to 2,700m (0ft to 8,858ft) above sea level at ambient temperatures of 30°C (86°F) or higher, or from 2,700m to 4,200m (8,858ft to 13,780ft) above sea level at ambient temperatures of 25°C (77°F) or higher.

The projector's operating environment temperature should be within 0 °C (32 °F) to 40 °C (104 °F) when the optional wireless module (Model No.: AJ-WM50) is attached.

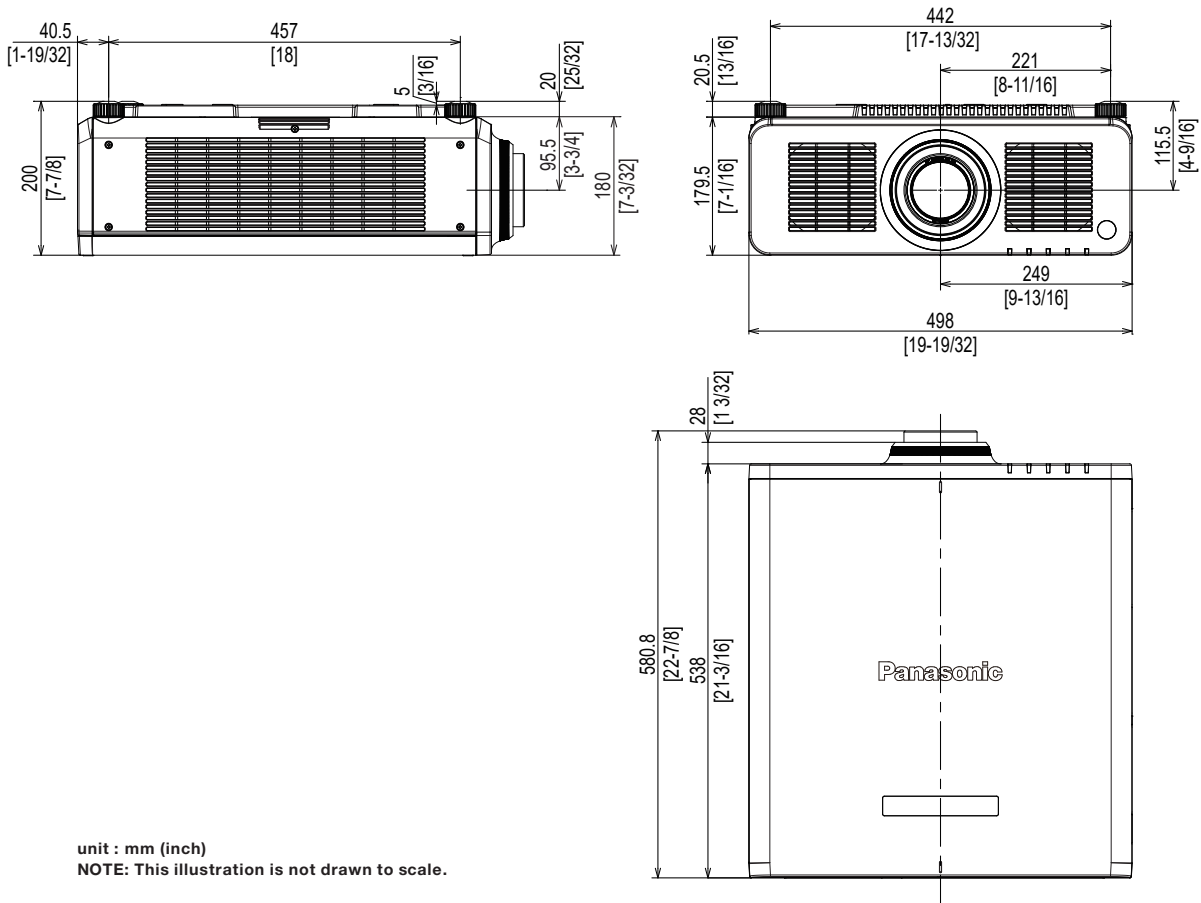
*11 Average value. Weight varies for each product.

*12 The suffix will vary depending on the type of license.

*13 Availability may vary by country or region.

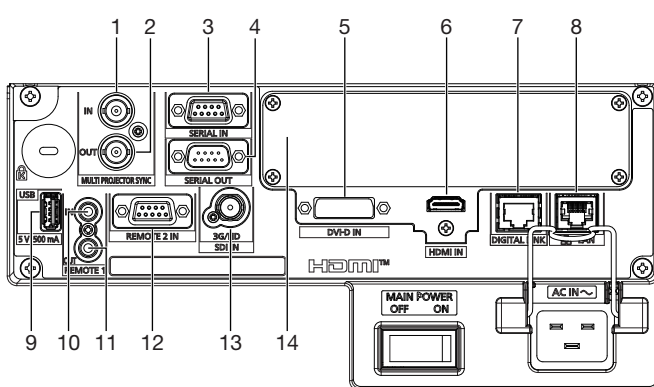
The optional NFC upgrade kit (Model No.:ET-NUK10) can be used to enable the NFC function of the projector. Note that there are some models that have the NFC function enabled from the time of factory shipment, and there are some countries or regions where the NFC upgrade kit cannot be applied
 For more information, visit :

Dimensions



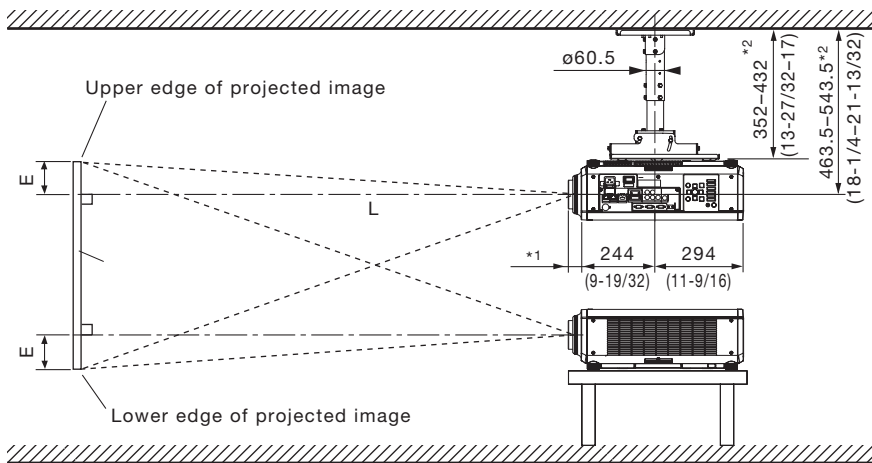
unit : mm (inch)
NOTE: This illustration is not drawn to scale.

Terminals



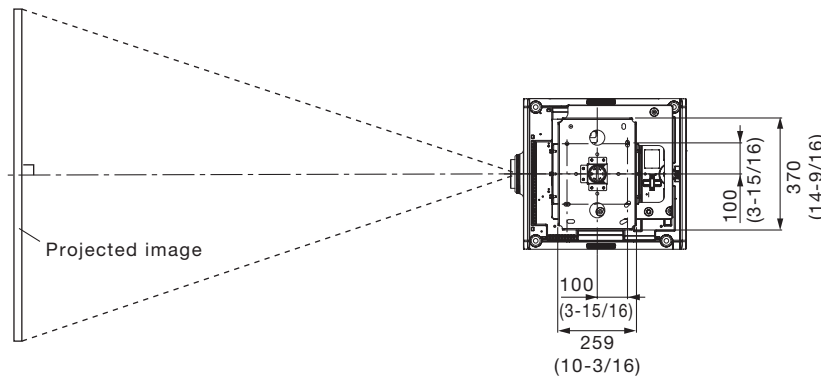
- 1 MULTI PROJECTOR SYNC INPUT
- 2 MULTI PROJECTOR SYNC OUTPUT
- 3 SERIAL INPUT
- 4 SERIAL OUTPUT
- 5 DVI-D INPUT
- 6 HDMI INPUT
- 7 DIGITAL LINK
- 8 LAN
- 9 USB
- 10 REMOTE 1 INPUT
- 11 REMOTE 1 OUTPUT
- 12 REMOTE 2 INPUT
- 13 SDI INPUT
- 14 Slot Cover

Standard setting-up position (If using other than the ET-DLE035)



*1 When the lens protrudes to the maximum.
 269 mm (10-19/32 in) with the ET-DLE020
 104 mm (4-3/32 in) with the ET-DLE060
 84 mm (3-5/16 in) with the ET-DLE085
 88 mm (3-15/32 in) with the ET-DLE105
 44 mm (1-23/32 in) with the ET-DLE150
 43 mm (1-11/16 in) with the ET-DLE170
 45 mm (1-25/32 in) with the ET-DLE250
 51 mm (2 in) with the ET-DLE350
 95 mm (3-3/4 in) with the ET-DLE450
 27 mm (1-1/16 in) with the ET-DLE055
 *2 Adjustable in 40 mm (1-9/16 in) steps.

unit : mm (inch)



NOTE:
 Illustrations show the projector installed using optional ceiling mount bracket ET-PKD120H, optional bracket assembly ET-PKD130B and an optional lens. This illustration is not drawn to scale.

Caution:

- All construction work should be done by a qualified technician.
- When mounting to the ceiling, use the special mounting bracket. Furthermore, in order to prevent it from falling down from the ceiling, use the supplied wire on the mounting bracket.

Projection distance for 16:10 aspect ratio screen (If using other than the ET-DLE035)

Unit: meters

Screen size (diagonal)	Distance to screen (L)																			Height from the edge of screen to center of lens (E)			
	Zoom										Fixed-focus		ET-DLE020 ET-DLE085 105/150 170/250 350/450 ET-DLE060 ET-DLE055										
	ET-DLE020 Zoom lens	ET-DLE060 Zoom lens	ET-DLE085 Zoom lens	ET-DLE105 Zoom lens	ET-DLE150 Zoom lens	Standard ET-DLE170 Zoom lens	ET-DLE250 Zoom lens	ET-DLE350 Zoom lens	ET-DLE450 Zoom lens	ET-DLE055 Fixed-focus lens													
	Throw ratio																						
0.280-0.299:1	0.600-0.801:1	0.782-0.977:1	0.978-1.32:1	1.30-1.89:1	1.71-2.41:1	2.27-3.62:1	3.58-5.45:1	5.36-8.58:1	0.785:1														
[m]	[in]	min.	max.	min.	max.	min.	max.	min.	max.	min.	max.	min.	max.	min.	max.	min.	max.	min.	max.				
1.27 / 50	—	—	0.63	0.84	0.82	1.04	1.03	1.41	1.38	2.01	1.82	2.57	2.42	3.87	3.80	5.81	5.66	9.12	0.83	—	0-0.44	0.07-0.44	0.34
1.52 / 60	—	—	0.76	1.02	1.00	1.25	1.25	1.70	1.66	2.43	2.20	3.10	2.92	4.65	4.59	7.00	6.85	11.01	1.00	—	0-0.53	0.08-0.53	0.40
1.78 / 70	—	—	0.90	1.20	1.17	1.47	1.47	1.99	1.95	2.84	2.58	3.63	3.42	5.44	5.38	8.19	8.04	12.89	1.18	—	0-0.62	0.09-0.62	0.47
2.03 / 80	—	—	1.03	1.38	1.35	1.68	1.68	2.28	2.23	3.25	2.95	4.16	3.92	6.23	6.16	9.38	9.23	14.78	1.35	—	0-0.71	0.11-0.71	0.54
2.29 / 90	—	—	1.17	1.56	1.52	1.90	1.90	2.57	2.52	3.66	3.33	4.69	4.42	7.02	6.95	10.57	10.43	16.66	1.53	—	0-0.80	0.12-0.80	0.61
2.54 / 100	0.59	0.64	1.31	1.74	1.70	2.11	2.12	2.86	2.81	4.08	3.71	5.21	4.92	7.81	7.74	11.76	11.62	18.55	1.70	0-0.89	0-0.89	0.13-0.89	0.67
3.05 / 120	0.72	0.77	1.58	2.10	2.05	2.55	2.55	3.44	3.38	4.90	4.47	6.27	5.91	9.39	9.31	14.14	14.00	22.31	2.05	0-1.07	0-1.07	0.16-1.07	0.81
3.81 / 150	0.90	0.97	1.99	2.63	2.57	3.19	3.20	4.32	4.24	6.14	5.60	7.86	7.41	11.75	11.68	17.71	17.58	27.97	2.58	0-1.33	0-1.33	0.20-1.33	1.01
5.08 / 200	1.21	1.30	2.67	3.53	3.44	4.27	4.29	5.77	5.67	8.20	7.50	10.50	9.91	15.70	15.61	23.66	23.54	37.39	3.45	0-1.78	0-1.78	0.27-1.78	1.35
6.35 / 250	1.52	1.63	3.35	4.42	4.31	5.35	5.37	7.23	7.10	10.26	9.39	13.14	12.41	19.64	19.55	29.61	29.50	46.81	—	0-2.22	0-2.22	0.34-2.22	—
7.62 / 300	1.83	1.96	4.03	5.32	5.18	6.43	6.46	8.68	8.53	12.33	11.28	15.79	14.91	23.59	23.49	35.56	35.46	56.24	—	0-2.67	0-2.67	0.40-2.67	—
8.89 / 350	2.14	2.29	4.71	6.21	6.06	7.51	7.54	10.14	9.96	14.39	13.18	18.43	17.40	27.53	27.42	41.51	41.42	65.66	—	0-3.11	0-3.11	0.47-3.11	—
10.16 / 400	2.45	2.63	5.39	7.11	6.93	8.59	8.63	11.59	11.39	16.45	15.07	21.07	19.90	31.48	31.36	47.46	47.38	75.08	—	0-3.55	0-3.55	0.54-3.55	—
12.70 / 500	—	—	6.75	8.90	8.67	10.75	10.80	14.50	14.25	20.58	18.86	26.36	24.90	39.37	39.23	59.36	59.30	93.93	—	—	0-4.44	0.67-4.44	—
15.24 / 600	—	—	8.11	10.69	10.42	12.91	12.97	17.41	17.11	24.70	22.64	31.65	29.89	47.25	47.11	71.25	71.22	112.77	—	—	0-5.33	0.81-5.33	—

Unit: feet

Screen size (diagonal)	Distance to screen (L)																			Height from the edge of screen to center of lens (E)			
	Zoom										Fixed-focus		ET-DLE020 ET-DLE085 105/150 170/250 350/450 ET-DLE060 ET-DLE055										
	ET-DLE020 Zoom lens	ET-DLE060 Zoom lens	ET-DLE085 Zoom lens	ET-DLE105 Zoom lens	ET-DLE150 Zoom lens	Standard ET-DLE170 Zoom lens	ET-DLE250 Zoom lens	ET-DLE350 Zoom lens	ET-DLE450 Zoom lens	ET-DLE055 Fixed-focus lens													
	Throw ratio																						
0.280 - 0.299:1	0.600-0.801:1	0.782-0.977:1	0.978-1.32:1	1.30-1.89:1	1.71-2.41:1	2.27-3.62:1	3.58-5.45:1	5.36-8.58:1	0.785:1														
[m]	[in]	min.	max.	min.	max.	min.	max.	min.	max.	min.	max.	min.	max.	min.	max.	min.	max.	min.	max.				
1.27 / 50	—	—	2.1	2.8	2.7	3.4	3.4	4.6	4.5	6.6	6.0	8.4	7.9	12.7	12.5	19.1	18.6	29.9	2.7	—	0-1.5	0.2-1.5	1.1
1.52 / 60	—	—	2.5	3.4	3.3	4.1	4.1	5.6	5.5	8.0	7.2	10.2	9.6	15.3	15.1	23.0	22.5	36.1	3.3	—	0-1.7	0.3-1.7	1.3
1.78 / 70	—	—	2.9	3.9	3.9	4.8	4.8	6.5	6.4	9.3	8.5	11.9	11.2	17.9	17.6	26.9	26.4	42.3	3.9	—	0-2.0	0.3-2.0	1.5
2.03 / 80	—	—	3.4	4.5	4.4	5.5	5.5	7.5	7.3	10.7	9.7	13.6	12.8	20.4	20.2	30.8	30.3	48.5	4.4	—	0-2.3	0.4-2.3	1.8
2.29 / 90	—	—	3.8	5.1	5.0	6.2	6.2	8.4	8.3	12.0	10.9	15.4	14.5	23.0	22.8	34.7	34.2	54.7	5.0	—	0-2.6	0.4-2.6	2.0
2.54 / 100	1.94	2.10	4.3	5.7	5.6	6.9	7.0	9.4	9.2	13.4	12.2	17.1	16.1	25.6	25.4	38.6	38.1	60.8	5.6	0-2.9	0-2.9	0.4-2.9	2.2
3.05 / 120	2.36	2.53	5.2	6.9	6.7	8.4	8.4	11.3	11.1	16.1	14.7	20.6	19.4	30.8	30.6	46.4	45.9	73.2	6.7	0-3.5	0-3.5	0.5-3.5	2.6
3.81 / 150	2.95	3.18	6.5	8.6	8.4	10.5	10.5	14.2	13.9	20.1	18.4	25.8	24.3	38.6	38.3	58.1	57.7	91.8	8.5	0-4.4	0-4.4	0.7-4.4	3.3
5.08 / 200	3.97	4.27	8.7	11.6	11.3	14.0	14.1	18.9	18.6	26.9	24.6	34.5	32.5	51.5	51.2	77.6	77.2	122.7	11.3	0-5.8	0-5.8	0.9-5.8	4.4
6.35 / 250	4.99	5.35	11.0	14.5	14.1	17.6	17.6	23.7	23.3	33.7	30.8	43.1	40.7	64.4	64.1	97.1	96.8	153.6	—	0-7.3	0-7.3	1.1-7.3	—
7.62 / 300	6.00	6.43	13.2	17.4	17.0	21.1	21.2	28.5	28.0	40.4	37.0	51.8	48.9	77.4	77.1	116.7	116.3	184.5	—	0-8.7	0-8.7	1.3-8.7	—
8.89 / 350	7.02	7.51	15.4	20.4	19.9	24.6	24.8	33.3	32.7	47.2	43.2	60.5	57.1	90.3	90.0	136.2	135.9	215.4	—	0-10.2	0-10.2	1.5-10.2	—
10.16 / 400	8.04	8.63	17.7	23.3	22.7	28.2	28.3	38.0	37.4	54.0	49.4	69.1	65.3	103.3	102.9	155.7	155.4	246.3	—	0-11.7	0-11.7	1.8-11.7	—
12.70 / 500	—	—	22.1	29.2	28.5	35.3	35.4	47.6	46.7	67.5	61.9	86.5	81.7	129.2	128.7	194.7	194.6	308.2	—	—	0-14.6	2.2-14.6	—
15.24 / 600	—	—	26.6	35.1	34.2	42.3	42.5	57.1	56.1	81.1	74.3	103.8	98.1	155.0	154.6	233.8	233.7	370.0	—	—	0-17.5	2.6-17.5	—

- The value for L (distance to screen) varies slightly within ±5% depending on the zoom lens characteristics.
- The zoom lens characteristics may cause slight image distortion.
- When using keystone correction is used, the image is corrected in the direction that reduces its projected size.
- The brightness varies depending on the zoom setting.

Note: When the ET-DLE055 is mounted, the optical lens shift function cannot be used.

Projection distance for 16:9 aspect ratio screen (If using other than the ET-DLE035)

Unit: meters

Screen size (diagonal)	Distance to screen (L)																			Height from the edge of screen to center of lens (E)			
	Zoom										Fixed-focus		ET-DLE020 ET-DLE085 105/150 170/250 350/450 ET-DLE060 ET-DLE055										
	ET-DLE020 Zoom lens	ET-DLE060 Zoom lens	ET-DLE085 Zoom lens	ET-DLE105 Zoom lens	ET-DLE150 Zoom lens	Standard ET-DLE170 Zoom lens	ET-DLE250 Zoom lens	ET-DLE350 Zoom lens	ET-DLE450 Zoom lens	ET-DLE055 Fixed-focus lens													
	Throw ratio																						
[m]	[in]	0.280-0.299:1 min. max.	0.600-0.802:1 min. max.	0.783-0.977:1 min. max.	0.979-1.32:1 min. max.	1.30-1.89:1 min. max.	1.72-2.41:1 min. max.	2.27-3.62:1 min. max.	3.58-5.45:1 min. max.	5.36-8.58:1 min. max.	0.786:1												
1.27 / 50	—	—	0.64 0.87	0.85 1.07	1.06 1.45	1.42 2.07	1.87 2.64	2.49 3.97	3.91 5.98	5.82 9.39	0.85	—	—	-0.06-0.46	0-0.46	0.31							
1.52 / 60	—	—	0.78 1.05	1.03 1.29	1.29 1.75	1.71 2.49	2.26 3.19	3.00 4.79	4.72 7.20	7.05 11.32	1.03	—	—	-0.07-0.55	0-0.55	0.37							
1.78 / 70	—	—	0.92 1.24	1.21 1.51	1.51 2.05	2.00 2.92	2.65 3.73	3.51 5.60	5.53 8.43	8.27 13.26	1.21	—	—	-0.09-0.64	0-0.64	0.44							
2.03 / 80	—	—	1.06 1.42	1.39 1.73	1.73 2.35	2.30 3.34	3.04 4.27	4.03 6.41	6.34 9.65	9.50 15.20	1.39	—	—	-0.10-0.73	0-0.73	0.50							
2.29 / 90	—	—	1.20 1.60	1.57 1.95	1.96 2.64	2.59 3.77	3.43 4.82	4.54 7.22	7.15 10.87	10.72 17.13	1.57	—	—	-0.11-0.82	0-0.82	0.56							
2.54 / 100	0.61	0.65	1.34 1.79	1.75 2.17	2.18 2.94	2.89 4.19	3.82 5.36	5.05 8.03	7.96 12.09	11.95 19.07	1.75	-0.12	-0.91	-0.12-0.91	0-0.91	0.62							
3.05 / 120	0.74	0.79	1.62 2.16	2.10 2.62	2.63 3.54	3.47 5.04	4.60 6.45	6.08 9.65	9.58 14.54	14.40 22.94	2.11	-0.15	-1.10	-0.15-1.10	0-1.10	0.75							
3.81 / 150	0.93	0.99	2.04 2.71	2.64 3.28	3.29 4.44	4.36 6.31	5.76 8.08	7.62 12.08	12.00 18.21	18.08 28.75	2.65	-0.19	-1.37	-0.19-1.37	0-1.37	0.93							
5.08 / 200	1.25	1.34	2.74 3.63	3.54 4.39	4.41 5.93	5.82 8.43	7.71 10.80	10.19 16.14	16.05 24.32	24.20 38.44	3.55	-0.25	-1.83	-0.25-1.83	0-1.83	1.25							
6.35 / 250	1.56	1.68	3.44 4.55	4.43 5.50	5.52 7.43	7.29 10.55	9.65 13.51	12.75 20.19	20.10 30.44	30.33 48.12	—	-0.31	-2.28	-0.31-2.28	0-2.28	—							
7.62 / 300	1.88	2.02	4.14 5.47	5.33 6.61	6.64 8.93	8.76 12.67	11.60 16.23	15.32 24.25	24.14 36.55	36.45 57.81	—	-0.37	-2.74	-0.37-2.74	0-2.74	—							
8.89 / 350	2.20	2.36	4.84 6.39	6.23 7.72	7.76 10.42	10.23 14.79	13.55 18.95	17.89 28.30	28.19 42.67	42.58 67.49	—	-0.44	-3.20	-0.44-3.20	0-3.20	—							
10.16 / 400	2.52	2.70	5.54 7.31	7.12 8.83	8.87 11.92	11.70 16.91	15.49 21.66	20.46 32.35	32.24 48.78	48.71 77.18	—	-0.50	-3.65	-0.50-3.65	0-3.65	—							
12.70 / 500	—	—	6.93 9.15	8.91 11.05	11.10 14.91	14.64 21.15	19.38 27.10	25.59 40.46	40.33 61.01	60.96 96.55	—	—	—	-0.62-4.57	0-4.57	—							
15.24 / 600	—	—	8.33 10.99	10.71 13.27	13.33 17.90	17.58 25.39	23.27 32.53	30.72 48.57	48.42 73.24	73.21 115.91	—	—	—	-0.75-5.48	0-5.48	—							

Unit: feet

Screen size (diagonal)	Distance to screen (L)																			Height from the edge of screen to center of lens (E)			
	Zoom										Fixed-focus		ET-DLE020 ET-DLE085 105/150 170/250 350/450 ET-DLE060 ET-DLE055										
	ET-DLE020 Zoom lens	ET-DLE060 Zoom lens	ET-DLE085 Zoom lens	ET-DLE105 Zoom lens	ET-DLE150 Zoom lens	Standard ET-DLE170 Zoom lens	ET-DLE250 Zoom lens	ET-DLE350 Zoom lens	ET-DLE450 Zoom lens	ET-DLE055 Fixed-focus lens													
	Throw ratio																						
[m]	[in]	0.280 - 0.299:1 min. max.	0.600-0.802:1 min. max.	0.783-0.977:1 min. max.	0.979-1.32:1 min. max.	1.30-1.89:1 min. max.	1.72-2.41:1 min. max.	2.27-3.62:1 min. max.	3.58-5.45:1 min. max.	5.36-8.58:1 min. max.	0.786:1												
1.27 / 50	—	—	2.1 2.8	2.8 3.5	3.5 4.8	4.6 6.8	6.1 8.7	8.2 13.0	12.8 19.6	19.1 30.8	2.8	—	—	-0.2-1.5	0-1.5	1.0							
1.52 / 60	—	—	2.6 3.5	3.4 4.2	4.2 5.7	5.6 8.2	7.4 10.5	9.8 15.7	15.5 23.6	23.1 37.1	3.4	—	—	-0.2-1.8	0-1.8	1.2							
1.78 / 70	—	—	3.0 4.1	4.0 5.0	5.0 6.7	6.6 9.6	8.7 12.2	11.5 18.4	18.1 27.6	27.1 43.5	4.0	—	—	-0.3-2.1	0-2.1	1.4							
2.03 / 80	—	—	3.5 4.7	4.5 5.7	5.7 7.7	7.5 11.0	10.0 14.0	13.2 21.0	20.8 31.7	31.2 49.9	4.6	—	—	-0.3-2.4	0-2.4	1.6							
2.29 / 90	—	—	3.9 5.3	5.1 6.4	6.4 8.7	8.5 12.4	11.2 15.8	14.9 23.7	23.5 35.7	35.2 56.2	5.2	—	—	-0.4-2.7	0-2.7	1.8							
2.54 / 100	2.00	2.13	4.4 5.9	5.7 7.1	7.2 9.6	9.5 13.7	12.5 17.6	16.6 26.3	26.1 39.7	39.2 62.6	5.7	-0.4	-3.0	-0.4-3.0	0-3.0	2.0							
3.05 / 120	2.43	2.59	5.3 7.1	6.9 8.6	8.6 11.6	11.4 16.5	15.1 21.2	19.9 31.7	31.4 47.7	47.2 75.3	6.9	-0.5	-3.6	-0.5-3.6	0-3.6	2.5							
3.81 / 150	3.05	3.25	6.7 8.9	8.7 10.8	10.8 14.6	14.3 20.7	18.9 26.5	25.0 39.6	39.4 59.7	59.3 94.3	8.7	-0.6	-4.5	-0.6-4.5	0-4.5	3.1							
5.08 / 200	4.10	4.40	9.0 11.9	11.6 14.4	14.5 19.5	19.1 27.7	25.3 35.4	33.4 52.9	52.7 79.8	79.4 126.1	11.7	-0.8	-6.0	-0.8-6.0	0-6.0	4.1							
6.35 / 250	5.12	5.51	11.3 14.9	14.5 18.1	18.1 24.4	23.9 34.6	31.7 44.3	41.8 66.2	65.9 99.9	99.5 157.9	—	-1.0	-7.5	-1.0-7.5	0-7.5	—							
7.62 / 300	6.17	6.63	13.6 17.9	17.5 21.7	21.8 29.3	28.8 41.6	38.1 53.2	50.3 79.5	79.2 119.9	119.6 189.7	—	-1.2	-9.0	-1.2-9.0	0-9.0	—							
8.89 / 350	7.22	7.74	15.9 21.0	20.4 25.3	25.5 34.2	33.6 48.5	44.4 62.2	58.7 92.8	92.5 140.0	139.7 221.4	—	-1.4	-10.5	-1.4-10.5	0-10.5	—							
10.16 / 400	8.27	8.86	18.2 24.0	23.4 29.0	29.1 39.1	38.4 55.5	50.8 71.1	67.1 106.1	105.8 160.0	159.8 253.2	—	-1.6	-12.0	-1.6-12.0	0-12.0	—							
12.70 / 500	—	—	22.7 30.0	29.2 36.2	36.4 48.9	48.0 69.4	63.6 88.9	84.0 132.8	132.3 200.2	200.0 316.8	—	—	—	-2.0-15.0	0-15.0	—							
15.24 / 600	—	—	27.3 36.0	35.1 43.5	43.7 58.7	57.7 83.3	76.4 106.7	100.8 159.4	158.9 240.3	240.2 380.3	—	—	—	-2.5-18.0	0-18.0	—							

- The value for L (distance to screen) varies slightly within ±5% depending on the zoom lens characteristics.
- The zoom lens characteristics may cause slight image distortion.
- When using keystone correction is used, the image is corrected in the direction that reduces its projected size.
- The brightness varies depending on the zoom setting.

Note: When the ET-DLE055 is mounted, the optical lens shift function cannot be used.

Projection distance for 4:3 aspect ratio screen (If using other than the ET-DLE035)

Unit: meters

Screen size (diagonal)	Distance to screen (L)																			Height from the edge of screen to center of lens (E)					
	Zoom										Fixed-focus														
	ET-DLE020 Zoom lens	ET-DLE060 Zoom lens	ET-DLE085 Zoom lens	ET-DLE105 Zoom lens	ET-DLE150 Zoom lens	Standard ET-DLE170 Zoom lens	ET-DLE250 Zoom lens	ET-DLE350 Zoom lens	ET-DLE450 Zoom lens	ET-DLE055 Fixed-focus lens	ET-DLE085 105/150 170/250 350/450			ET-DLE060	ET-DLE055										
	Throw ratio										0.946:1														
[m]	[in]	0.337-0.360:1	0.724-0.965:1	0.943-1.18:1	1.18-1.59:1	1.56-2.27:1	2.06-2.90:1	2.73-4.35:1	4.30-6.55:1	6.46-10.3:1															
		min.	max.	min.	max.	min.	max.	min.	max.	min.	max.	min.	max.	min.	max.	min.	max.	min.	max.	min.	max.	min.	max.	min.	max.
1.27 / 50	—	—	0.71	0.96	0.94	1.18	1.18	1.60	1.56	2.29	2.07	2.92	2.75	4.39	4.32	6.60	6.45	10.37	0.94	—	0-0.50	0.08-0.50	0.38		
1.52 / 60	—	—	0.87	1.16	1.14	1.42	1.42	1.93	1.89	2.75	2.50	3.52	3.31	5.28	5.21	7.95	7.80	12.50	1.14	—	0-0.60	0.09-0.60	0.46		
1.78 / 70	—	—	1.02	1.37	1.33	1.67	1.67	2.26	2.21	3.22	2.93	4.12	3.88	6.17	6.10	9.29	9.14	14.63	1.34	—	0-0.70	0.11-0.70	0.53		
2.03 / 80	—	—	1.18	1.57	1.53	1.91	1.91	2.59	2.54	3.69	3.35	4.72	4.44	7.07	7.00	10.64	10.49	16.77	1.54	—	0-0.80	0.12-0.80	0.61		
2.29 / 90	—	—	1.33	1.77	1.73	2.16	2.16	2.92	2.86	4.15	3.78	5.31	5.01	7.96	7.89	11.99	11.84	18.90	1.74	—	0-0.91	0.14-0.91	0.69		
2.54 / 100	0.67	0.72	1.48	1.97	1.93	2.40	2.41	3.25	3.18	4.62	4.21	5.91	5.57	8.85	8.78	13.34	13.19	21.03	1.93	0-1.01	0-1.01	0.15-1.01	0.76		
3.05 / 120	0.81	0.87	1.79	2.38	2.32	2.89	2.90	3.91	3.83	5.55	5.07	7.11	6.71	10.64	10.56	16.03	15.89	25.30	2.33	0-1.21	0-1.21	0.18-1.21	0.91		
3.81 / 150	1.03	1.10	2.25	2.99	2.91	3.62	3.63	4.89	4.80	6.96	6.35	8.91	8.40	13.32	13.24	20.07	19.94	31.70	2.93	0-1.51	0-1.51	0.23-1.51	1.14		
5.08 / 200	1.38	1.47	3.02	4.00	3.90	4.84	4.86	6.54	6.42	9.29	8.50	11.90	11.23	17.78	17.69	26.80	26.69	42.37	3.92	0-2.01	0-2.01	0.30-2.01	1.52		
6.35 / 250	1.73	1.85	3.79	5.01	4.89	6.07	6.09	8.19	8.04	11.63	10.64	14.89	14.06	22.25	22.15	33.54	33.44	53.04	—	0-2.51	0-2.51	0.38-2.51	—		
7.62 / 300	2.08	2.23	4.56	6.03	5.88	7.29	7.32	9.84	9.66	13.96	12.78	17.88	16.88	26.71	26.61	40.27	40.18	63.70	—	0-3.02	0-3.02	0.46-3.02	—		
8.89 / 350	2.43	2.60	5.33	7.04	6.86	8.51	8.55	11.48	11.28	16.30	14.93	20.88	19.71	31.18	31.06	47.01	46.93	74.37	—	0-3.52	0-3.52	0.53-3.52	—		
10.16 / 400	2.78	2.98	6.10	8.05	7.85	9.73	9.78	13.13	12.90	18.63	17.07	23.87	22.54	35.64	35.52	53.74	53.68	85.04	—	0-4.02	0-4.02	0.61-4.02	—		
12.70 / 500	—	—	7.64	10.08	9.82	12.17	12.23	16.42	16.13	23.30	21.36	29.85	28.19	44.58	44.43	67.21	67.17	106.37	—	—	0-5.03	0.76-5.03	—		
15.24 / 600	—	—	9.18	12.11	11.80	14.62	14.69	19.72	19.37	27.97	25.64	35.84	33.85	53.51	53.35	80.68	80.67	127.70	—	—	0-6.04	0.91-6.04	—		

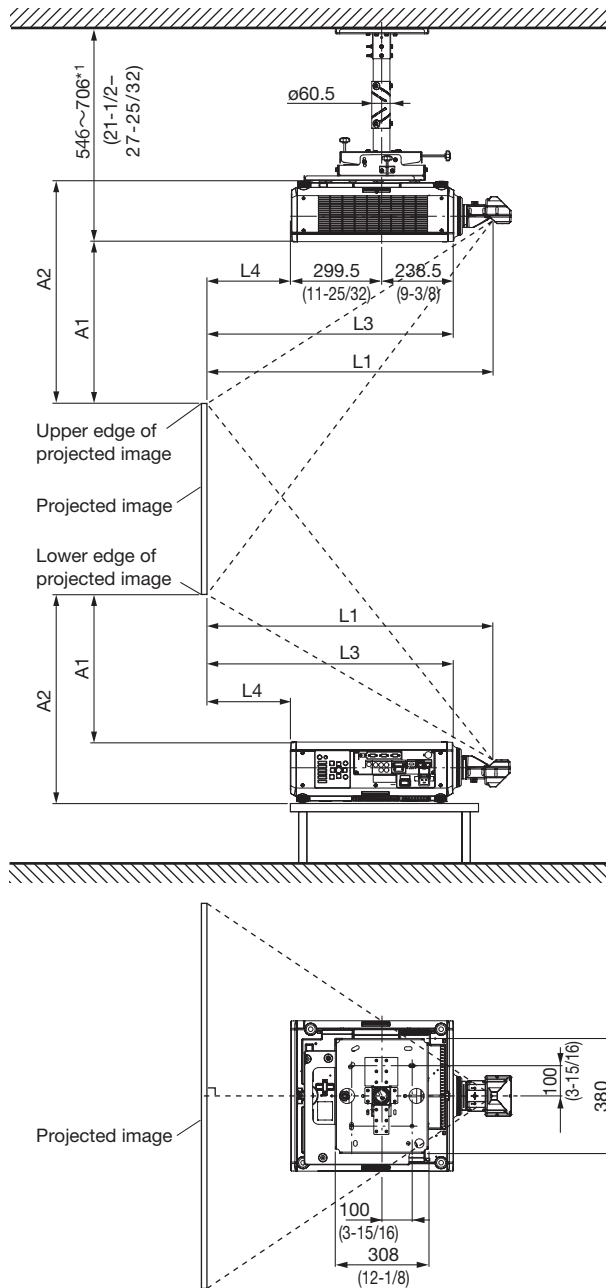
Unit: meters

Screen size (diagonal)	Distance to screen (L)																			Height from the edge of screen to center of lens (E)					
	Zoom										Fixed-focus														
	ET-DLE020 Zoom lens	ET-DLE060 Zoom lens	ET-DLE085 Zoom lens	ET-DLE105 Zoom lens	ET-DLE150 Zoom lens	Standard ET-DLE170 Zoom lens	ET-DLE250 Zoom lens	ET-DLE350 Zoom lens	ET-DLE450 Zoom lens	ET-DLE055 Fixed-focus lens	ET-DLE085 105/150 170/250 350/450			ET-DLE060	ET-DLE055										
	Throw ratio										0.946:1														
[m]	[in]	0.337-0.360:1	0.724-0.965:1	0.943-1.18:1	1.18-1.59:1	1.56-2.27:1	2.06-2.90:1	2.73-4.35:1	4.30-6.55:1	6.46-10.3:1															
		min.	max.	min.	max.	min.	max.	min.	max.	min.	max.	min.	max.	min.	max.	min.	max.	min.	max.	min.	max.	min.	max.	min.	max.
1.27 / 50	—	—	2.3	3.2	3.1	3.9	3.9	5.2	5.1	7.5	6.8	9.6	9.0	14.4	14.2	21.7	21.1	34.0	3.1	—	0-1.7	0.3-1.7	1.3		
1.52 / 60	—	—	2.9	3.8	3.7	4.7	4.7	6.3	6.2	9.0	8.2	11.5	10.9	17.3	17.1	26.1	25.6	41.0	3.7	—	0-2.0	0.3-2.0	1.5		
1.78 / 70	—	—	3.4	4.5	4.4	5.5	5.5	7.4	7.3	10.6	9.6	13.5	12.7	20.3	20.0	30.5	30.0	48.0	4.4	—	0-2.3	0.4-2.3	1.8		
2.03 / 80	—	—	3.9	5.1	5.0	6.3	6.3	8.5	8.3	12.1	11.0	15.5	14.6	23.2	23.0	34.9	34.4	55.0	5.0	—	0-2.6	0.4-2.6	2.0		
2.29 / 90	—	—	4.4	5.8	5.7	7.1	7.1	9.6	9.4	13.6	12.4	17.4	16.4	26.1	25.9	39.3	38.9	62.0	5.7	—	0-3.0	0.5-3.0	2.3		
2.54 / 100	2.20	2.36	4.9	6.5	6.3	7.9	7.9	10.7	10.4	15.2	13.8	19.4	18.3	29.0	28.8	43.8	43.3	69.0	6.3	0-3.3	0-3.3	0.5-3.3	2.5		
3.05 / 120	2.66	2.85	5.9	7.8	7.6	9.5	9.5	12.8	12.6	18.2	16.6	23.3	22.0	34.9	34.7	52.6	52.1	83.0	7.6	0-4.0	0-4.0	0.6-4.0	3.0		
3.81 / 150	3.38	3.61	7.4	9.8	9.6	11.9	11.9	16.1	15.8	22.8	20.8	29.2	27.6	43.7	43.4	65.8	65.4	104.0	9.6	0-5.0	0-5.0	0.8-5.0	3.8		
5.08 / 200	4.53	4.82	9.9	13.1	12.8	15.9	16.0	21.5	21.1	30.5	27.9	39.0	36.8	58.3	58.0	87.9	87.6	139.0	12.8	0-6.6	0-6.6	1.0-6.6	5.0		
6.35 / 250	5.68	6.07	12.4	16.5	16.0	19.9	20.0	26.9	26.4	38.1	34.9	48.9	46.1	73.0	72.7	110.0	109.7	174.0	—	0-8.3	0-8.3	1.3-8.3	—		
7.62 / 300	6.82	7.32	15.0	19.8	19.3	23.9	24.0	32.3	31.7	45.8	41.9	58.7	55.4	87.6	87.3	132.1	131.8	209.0	—	0-9.9	0-9.9	1.5-9.9	—		
8.89 / 350	7.97	8.53	17.5	23.1	22.5	27.9	28.0	37.7	37.0	53.5	49.0	68.5	64.7	102.3	101.9	154.2	154.0	244.0	—	0-11.6	0-11.6	1.8-11.6	—		
10.16 / 400	9.12	9.78	20.0	26.4	25.8	31.9	32.1	43.1	42.3	61.1	56.0	78.3	73.9	116.9	116.5	176.3	176.1	279.0	—	0-13.2	0-13.2	2.0-13.2	—		
12.70 / 500	—	—	25.1	33.1	32.2	39.9	40.1	53.9	52.9	76.5	70.1	97.9	92.5	146.2	145.8	220.5	220.4	349.0	—	—	0-16.5	2.5-16.5	—		
15.24 / 600	—	—	30.1	39.7	38.7	48.0	48.2	64.7	63.6	91.8	84.1	117.6	111.1	175.5	175.0	264.7	264.7	419.0	—	—	0-19.8	3.0-19.8	—		

- The value for L (distance to screen) varies slightly within ±5% depending on the zoom lens characteristics.
- The zoom lens characteristics may cause slight image distortion.
- When using keystone correction is used, the image is corrected in the direction that reduces its projected size.
- The brightness varies depending on the zoom setting.

Note: When the ET-DLE055 is mounted, the optical lens shift function cannot be used.

Standard setting-up position (If using the ET-DLE035)



NOTE:
 Illustrations show the projector installed using optional ceiling mount bracket ET-PKD130H, optional bracket assembly ET-PKD130B and an optional lens. This illustration is not drawn to scale.

*1 Continuous height adjustment possible.

unit : mm (inch)

NOTE:
 Illustrations show the projector installed using optional ceiling mount bracket ET-PKD130H, optional bracket assembly ET-PKD130B and an optional lens. This illustration is not drawn to scale.

Caution:

- All construction work should be done by a qualified technician.
- When mounting to the ceiling, use the special mounting bracket. Furthermore, in order to prevent it from falling down from the ceiling, use the supplied wire on the mounting bracket.

Projection distance for 16:10 aspect ratio screen (If using the ET-DLE035)

Unit : meters

Ultra-short focal length lens ET-DLE035
Close-up system dimensions

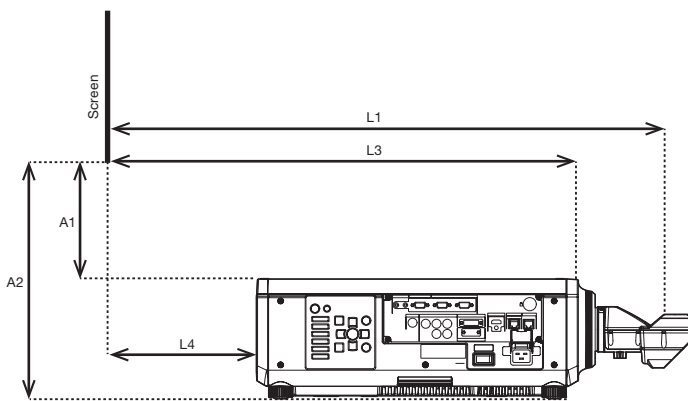
Throw ratio				0.380:1				
Diagonal image size (Inches)	Diagonal image size (m)	Height (SH)	Width (SW)	Projection distance (From mirror reflective surface to screen) (L1)	From front of set to screen (L3)	From rear of set to screen (L4)	From top of set to bottom edge of screen (A1)	From bottom of set to bottom edge of screen (A2)
100	2.54	1.35	2.15	0.82	0.65	0.11	0.43	0.63
120	3.05	1.62	2.59	0.98	0.82	0.28	0.53	0.73
150	3.81	2.02	3.23	1.23	1.06	0.52	0.68	0.88
200	5.08	2.69	4.31	1.63	1.47	0.93	0.93	1.13
250	6.35	3.37	5.39	2.04	1.87	1.34	1.18	1.38
300	7.62	4.04	6.46	2.45	2.28	1.74	1.43	1.63
350	8.89	4.71	7.54	2.85	2.69	2.15	1.69	1.89

Unit : feet

Ultra-short focal length lens ET-DLE035
Close-up system dimensions

Throw ratio				0.380:1				
Diagonal image size (Inches)	Diagonal image size (m)	Height (SH)	Width (SW)	Projection distance (From mirror reflective surface to screen) (L1)	From front of set to screen (L3)	From rear of set to screen (L4)	From top of set to bottom edge of screen (A1)	From bottom of set to bottom edge of screen (A2)
100	2.54	4.4	7.1	2.7	2.1	0.4	1.4	2.1
120	3.05	5.3	8.5	3.2	2.7	0.9	1.7	2.4
150	3.81	6.6	10.6	4.0	3.5	1.7	2.2	2.9
200	5.08	8.8	14.1	5.4	4.8	3.0	3.1	3.7
250	6.35	11.0	17.7	6.7	6.1	4.4	3.9	4.5
300	7.62	13.3	21.2	8.0	7.5	5.7	4.7	5.4
350	8.89	15.5	24.7	9.4	8.8	7.1	5.5	6.2

- * The value for L1 may contain an error of within ±5%.
- * When using keystone correction, the images will be corrected so that they will tend to be smaller than the specified screen size.
- * This measurement is not the distance between the rear of the projector and the wall, but is instead the distance between the rear of the projector and the screen surface. Leave at least 500 mm of space between the rear of the projector and the wall and any other objects in order to provide adequate ventilation space. If setting up the projector in a closed room, be sure to provide separate air conditioning and ventilation equipment. If there is insufficient ventilation in the room, radiated heat may build up and cause the protection circuit of the projector to operate.



- L1: Projection distance (from screen to mirror reflective surface)
- L3: From screen to front of set
- L4: From screen to rear of set
- A1: From bottom edge of screen to top of set
- A2: From bottom edge of screen to bottom of set

Projection Distance Calculation Table

Screen aspect ratio 16:10

Projection distance calculation formula

$$L1 (m) = 0.3205 \times \text{Diagonal image size} + 0.0047$$

Calculation formula for distance from top of set to bottom edge of screen

$$A1 (m) = 0.1977 \times \text{Diagonal image size} - 0.07210$$

Projection distance for 16:9 aspect ratio screen (If using the ET-DLE035)

Unit : meters

Ultra-short focal length lens ET-DLE035
Close-up system dimensions

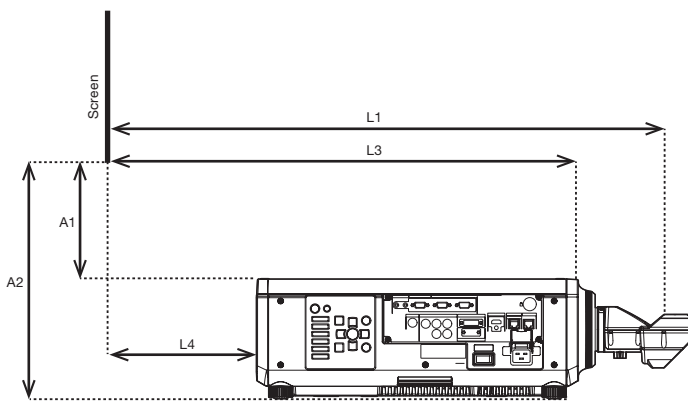
Throw ratio				0.380:1				
Diagonal image size (Inches)	Diagonal image size (m)	Height (SH)	Width (SW)	Projection distance (From mirror reflective surface to screen) (L1)	From front of set to screen (L3)	From rear of set to screen (L4)	From top of set to bottom edge of screen (A1)	From bottom of set to bottom edge of screen (A2)
100	2.54	1.25	2.21	0.84	0.68	0.14	0.51	0.71
120	3.05	1.49	2.66	1.01	0.84	0.30	0.63	0.83
150	3.81	1.87	3.32	1.26	1.09	0.56	0.81	1.01
200	5.08	2.49	4.43	1.68	1.51	0.97	1.10	1.30
250	6.35	3.11	5.54	2.10	1.93	1.39	1.39	1.59
300	7.62	3.74	6.64	2.51	2.35	1.81	1.68	1.88
350	8.89	4.36	7.75	2.93	2.77	2.23	1.98	2.18

Unit : feet

Ultra-short focal length lens ET-DLE035
Close-up system dimensions

Throw ratio				0.380:1				
Diagonal image size (Inches)	Diagonal image size (m)	Height (SH)	Width (SW)	Projection distance (From mirror reflective surface to screen) (L1)	From front of set to screen (L3)	From rear of set to screen (L4)	From top of set to bottom edge of screen (A1)	From bottom of set to bottom edge of screen (A2)
100	2.54	4.1	7.3	2.8	2.2	0.4	1.7	2.3
120	3.05	4.9	8.7	3.3	2.8	1.0	2.1	2.7
150	3.81	6.1	10.9	4.1	3.6	1.8	2.6	3.3
200	5.08	8.2	14.5	5.5	5.0	3.2	3.6	4.3
250	6.35	10.2	18.2	6.9	6.3	4.6	4.6	5.2
300	7.62	12.3	21.8	8.2	7.7	5.9	5.5	6.2
350	8.89	14.3	25.4	9.6	9.1	7.3	6.5	7.1

- * The value for L1 may contain an error of within ±5%.
- * When using keystone correction, the images will be corrected so that they will tend to be smaller than the specified screen size.
- * This measurement is not the distance between the rear of the projector and the wall, but is instead the distance between the rear of the projector and the screen surface. Leave at least 500 mm of space between the rear of the projector and the wall and any other objects in order to provide adequate ventilation space. If setting up the projector in a closed room, be sure to provide separate air conditioning and ventilation equipment. If there is insufficient ventilation in the room, radiated heat may build up and cause the protection circuit of the projector to operate.



- L1: Projection distance (from screen to mirror reflective surface)
- L3: From screen to front of set
- L4: From screen to rear of set
- A1: From bottom edge of screen to top of set
- A2: From bottom edge of screen to bottom of set

Projection Distance Calculation Table

Screen aspect ratio 16:9

Projection distance calculation formula

$$L1 (m) = 0.3294 \times \text{Diagonal image size} + 0.0047$$

Calculation formula for distance from top of set to bottom edge of screen

$$A1 (m) = 0.2304 \times \text{Diagonal image size} - 0.07210$$

Projection distance for 4:3 aspect ratio screen (If using the ET-DLE035)

Unit : meters

Ultra-short focal length lens ET-DLE035
Close-up system dimensions

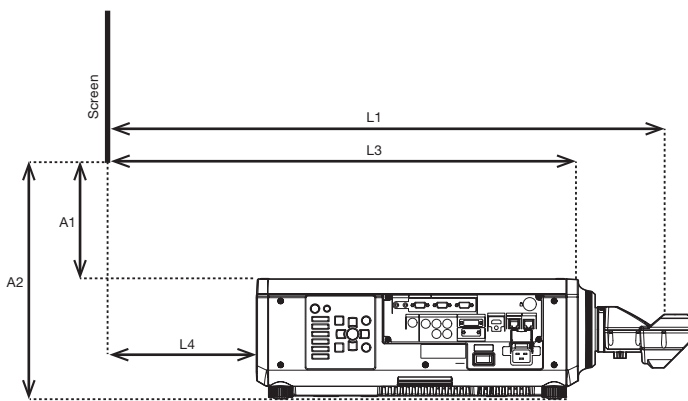
Throw ratio				0.456:1				
Diagonal image size (Inches)	Diagonal image size (m)	Height (SH)	Width (SW)	Projection distance (From mirror reflective surface to screen) (L1)	From front of set to screen (L3)	From rear of set to screen (L4)	From top of set to bottom edge of screen (A1)	From bottom of set to bottom edge of screen (A2)
100	2.54	1.52	2.03	0.93	0.76	0.22	0.50	0.70
120	3.05	1.83	2.44	1.11	0.94	0.41	0.61	0.81
150	3.81	2.29	3.05	1.39	1.22	0.68	0.78	0.98
200	5.08	3.05	4.06	1.85	1.68	1.14	1.06	1.27
250	6.35	3.81	5.08	2.31	2.14	1.60	1.35	1.55
300	7.62	4.57	6.10	2.77	2.60	2.07	1.63	1.83
350	8.89	5.33	7.11	3.23	3.06	2.53	1.92	2.12

Unit : feet

Ultra-short focal length lens ET-DLE035
Close-up system dimensions

Throw ratio				0.456:1				
Diagonal image size (Inches)	Diagonal image size (m)	Height (SH)	Width (SW)	Projection distance (From mirror reflective surface to screen) (L1)	From front of set to screen (L3)	From rear of set to screen (L4)	From top of set to bottom edge of screen (A1)	From bottom of set to bottom edge of screen (A2)
100	2.54	5.0	6.7	3.0	2.5	0.7	1.6	2.3
120	3.05	6.0	8.0	3.6	3.1	1.3	2.0	2.7
150	3.81	7.5	10.0	4.6	4.0	2.2	2.6	3.2
200	5.08	10.0	13.3	6.1	5.5	3.8	3.5	4.2
250	6.35	12.5	16.7	7.6	7.0	5.3	4.4	5.1
300	7.62	15.0	20.0	9.1	8.5	6.8	5.4	6.0
350	8.89	17.5	23.3	10.6	10.1	8.3	6.3	6.9

- * The value for L1 may contain an error of within ±5%.
- * When using vertical keystone correction, the images will be corrected so that they will tend to be smaller than the specified screen size.
- * This measurement is not the distance between the rear of the projector and the wall, but is instead the distance between the rear of the projector and the screen surface. Leave at least 500 mm of space between the rear of the projector and the wall and any other objects in order to provide adequate ventilation space. If setting up the projector in a closed room, be sure to provide separate air conditioning and ventilation equipment. If there is insufficient ventilation in the room, radiated heat may build up and cause the protection circuit of the projector to operate.



- L1: Projection distance (from screen to mirror reflective surface)
- L3: From screen to front of set
- L4: From screen to rear of set
- A1: From bottom edge of screen to top of set
- A2: From bottom edge of screen to bottom of set

Projection Distance Calculation Table

Screen aspect ratio 4:3

Projection distance calculation formula

$$L1 (m) = 0.3628 \times \text{Diagonal image size} + 0.0047$$

Calculation formula for distance from top of set to bottom edge of screen

$$A1 (m) = 0.2238 \times \text{Diagonal image size} - 0.07210$$

Calculation of the projection distance

For a screen size different from the above, use the equation below to calculate the projection distance.

Aspect ratio 16:10

ET-DLE020	minimum	$L (m) = (\text{diagonal screen size in inches}) \times 0.0062 - 0.0266$
	maximum	$L (m) = (\text{diagonal screen size in inches}) \times 0.0066 - 0.0279$
ET-DLE060	minimum	$L (m) = (\text{diagonal screen size in inches}) \times 0.0136 - 0.0549$
	maximum	$L (m) = (\text{diagonal screen size in inches}) \times 0.0179 - 0.0518$
ET-DLE085	minimum	$L (m) = (\text{diagonal screen size in inches}) \times 0.0174 - 0.0471$
	maximum	$L (m) = (\text{diagonal screen size in inches}) \times 0.0216 - 0.0442$
ET-DLE105	minimum	$L (m) = (\text{diagonal screen size in inches}) \times 0.0217 - 0.0511$
	maximum	$L (m) = (\text{diagonal screen size in inches}) \times 0.0291 - 0.0472$
ET-DLE150	minimum	$L (m) = (\text{diagonal screen size in inches}) \times 0.0286 - 0.0540$
	maximum	$L (m) = (\text{diagonal screen size in inches}) \times 0.0413 - 0.0498$
Supplied lens	minimum	$L (m) = (\text{diagonal screen size in inches}) \times 0.0379 - 0.0746$
ET-DLE170	maximum	$L (m) = (\text{diagonal screen size in inches}) \times 0.0529 - 0.0725$
	minimum	$L (m) = (\text{diagonal screen size in inches}) \times 0.0500 - 0.0800$
ET-DLE250	maximum	$L (m) = (\text{diagonal screen size in inches}) \times 0.0789 - 0.0792$
	minimum	$L (m) = (\text{diagonal screen size in inches}) \times 0.0787 - 0.1351$
ET-DLE350	maximum	$L (m) = (\text{diagonal screen size in inches}) \times 0.1190 - 0.1346$
	minimum	$L (m) = (\text{diagonal screen size in inches}) \times 0.1192 - 0.3017$
ET-DLE450	maximum	$L (m) = (\text{diagonal screen size in inches}) \times 0.1885 - 0.2991$
	(fixed focus)	$L1 (m) = (\text{diagonal screen size in inches}) \times 0.0081 + 0.0047$
ET-DLE035		$L3 (m) = L1 - 0.166$
		$L4 (m) = L1 - 0.704$
ET-DLE055	(fixed focus)	$L (m) = (\text{diagonal screen size in inches}) \times 0.0175 - 0.0476$

Aspect ratio 16:9

ET-DLE020	minimum	$L (m) = (\text{diagonal screen size in inches}) \times 0.0064 - 0.0266$
	maximum	$L (m) = (\text{diagonal screen size in inches}) \times 0.0068 - 0.0279$
ET-DLE060	minimum	$L (m) = (\text{diagonal screen size in inches}) \times 0.0140 - 0.0549$
	maximum	$L (m) = (\text{diagonal screen size in inches}) \times 0.0184 - 0.0518$
ET-DLE085	minimum	$L (m) = (\text{diagonal screen size in inches}) \times 0.0179 - 0.0471$
	maximum	$L (m) = (\text{diagonal screen size in inches}) \times 0.0222 - 0.0442$
ET-DLE105	minimum	$L (m) = (\text{diagonal screen size in inches}) \times 0.0223 - 0.0511$
	maximum	$L (m) = (\text{diagonal screen size in inches}) \times 0.0299 - 0.0472$
ET-DLE150	minimum	$L (m) = (\text{diagonal screen size in inches}) \times 0.0294 - 0.0540$
	maximum	$L (m) = (\text{diagonal screen size in inches}) \times 0.0424 - 0.0498$
Supplied lens	minimum	$L (m) = (\text{diagonal screen size in inches}) \times 0.0389 - 0.0746$
ET-DLE170	maximum	$L (m) = (\text{diagonal screen size in inches}) \times 0.0543 - 0.0725$
	minimum	$L (m) = (\text{diagonal screen size in inches}) \times 0.0513 - 0.0800$
ET-DLE250	maximum	$L (m) = (\text{diagonal screen size in inches}) \times 0.0811 - 0.0792$
	minimum	$L (m) = (\text{diagonal screen size in inches}) \times 0.0809 - 0.1351$
ET-DLE350	maximum	$L (m) = (\text{diagonal screen size in inches}) \times 0.1223 - 0.1346$
	minimum	$L (m) = (\text{diagonal screen size in inches}) \times 0.1225 - 0.3017$
ET-DLE450	maximum	$L (m) = (\text{diagonal screen size in inches}) \times 0.1937 - 0.2991$
	(fixed focus)	$L1 (m) = (\text{diagonal screen size in inches}) \times 0.0084 + 0.0047$
ET-DLE035		$L3 (m) = L1 - 0.166$
		$L4 (m) = L1 - 0.704$
ET-DLE055	(fixed focus)	$L (m) = (\text{diagonal screen size in inches}) \times 0.0180 - 0.0476$

• Distances calculated with the above equations will include a slight error.

Calculation of the projection distance

For a screen size different from the above, use the equation below to calculate the projection distance.

Aspect ratio 4:3

ET-DLE020	minimum	$L (m) = (\text{diagonal screen size in inches}) \times 0.0070 - 0.0266$
	maximum	$L (m) = (\text{diagonal screen size in inches}) \times 0.0075 - 0.0279$
ET-DLE060	minimum	$L (m) = (\text{diagonal screen size in inches}) \times 0.0154 - 0.0549$
	maximum	$L (m) = (\text{diagonal screen size in inches}) \times 0.0203 - 0.0518$
ET-DLE085	minimum	$L (m) = (\text{diagonal screen size in inches}) \times 0.0197 - 0.0471$
	maximum	$L (m) = (\text{diagonal screen size in inches}) \times 0.0244 - 0.0442$
ET-DLE105	minimum	$L (m) = (\text{diagonal screen size in inches}) \times 0.0246 - 0.0511$
	maximum	$L (m) = (\text{diagonal screen size in inches}) \times 0.0329 - 0.0472$
ET-DLE150	minimum	$L (m) = (\text{diagonal screen size in inches}) \times 0.0324 - 0.0540$
	maximum	$L (m) = (\text{diagonal screen size in inches}) \times 0.0467 - 0.0498$
Supplied lens	minimum	$L (m) = (\text{diagonal screen size in inches}) \times 0.0429 - 0.0746$
ET-DLE170	maximum	$L (m) = (\text{diagonal screen size in inches}) \times 0.0599 - 0.0725$
	minimum	$L (m) = (\text{diagonal screen size in inches}) \times 0.0565 - 0.0800$
ET-DLE250	maximum	$L (m) = (\text{diagonal screen size in inches}) \times 0.0893 - 0.0792$
	minimum	$L (m) = (\text{diagonal screen size in inches}) \times 0.0891 - 0.1351$
ET-DLE350	maximum	$L (m) = (\text{diagonal screen size in inches}) \times 0.1347 - 0.1346$
	minimum	$L (m) = (\text{diagonal screen size in inches}) \times 0.1349 - 0.3017$
ET-DLE450	maximum	$L (m) = (\text{diagonal screen size in inches}) \times 0.2133 - 0.2991$
	(fixed focus)	$L1 (m) = (\text{diagonal screen size in inches}) \times 0.0092 + 0.0047$
ET-DLE035		$L3 (m) = L1 - 0.166$
		$L4 (m) = L1 - 0.704$
ET-DLE055	(fixed focus)	$L (m) = (\text{diagonal screen size in inches}) \times 0.0198 - 0.0476$

• Distances calculated with the above equations will include a slight error.

Formula for calculating possible heights when using the ET-DLE035

If using a screen size which has not been previously mentioned, use the following calculation formulas to obtain the possible setting-up height.

For screen aspect ratio of 16:10 Possible setting-up height A1 (mm) = Projection screen size (inches) x 5.0-72.1
 Possible setting-up height A2 (mm) = A1 + 200

For screen aspect ratio of 16:9 Possible setting-up height A1 (mm) = Projection screen size (inches) x 5.9-72.1
 Possible setting-up height A2 (mm) = A1 + 200

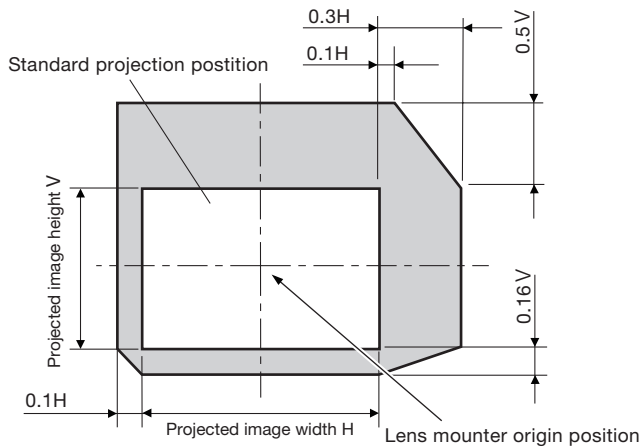
For screen aspect ratio of 4:3 Possible setting-up height A1 (mm) = Projection screen size (inches) x 5.7-72.1
 Possible setting-up height A2 (mm) = A1 + 200

* There may be a small margin of error in the values obtained from the above formulas.

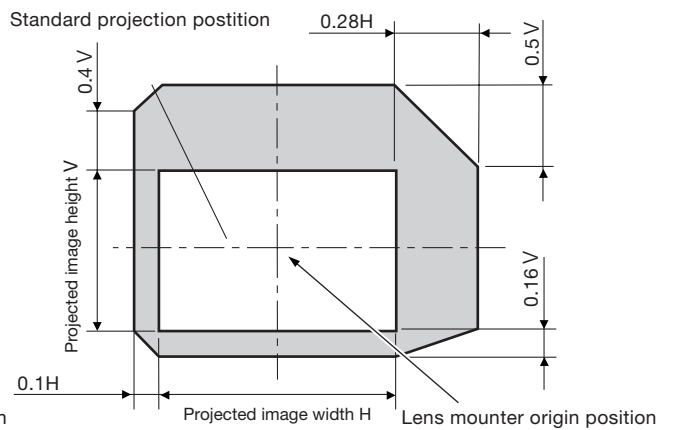
Shift range

Lens shift function allows to shift the position of a projected image as shown below.

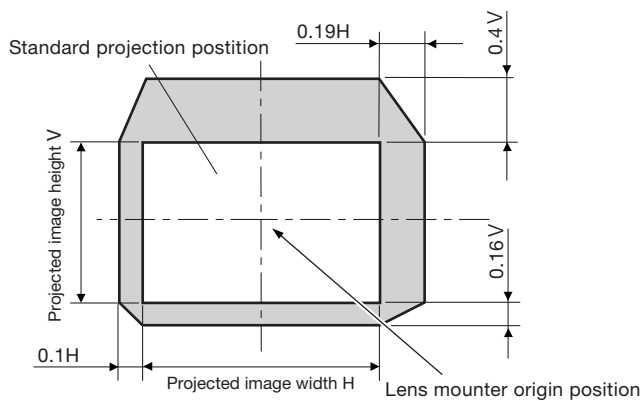
When ET-DLE170/DLE150/DLE250/DLE350/DLE450 is mounted.



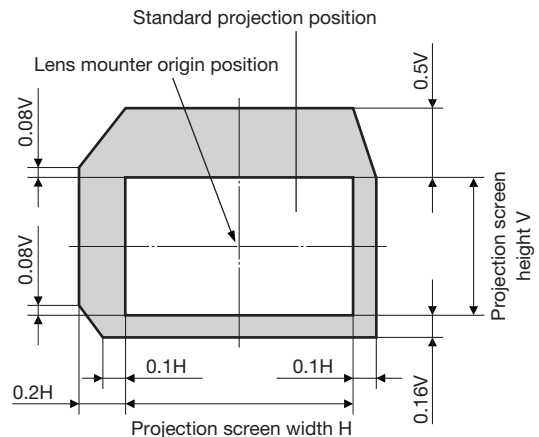
When the ET-DLE085 and ET-DLE105 is mounted.



When the ET-DLE060 is mounted.



When the ET-DLE020 is mounted.

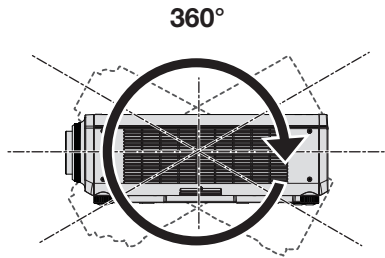


• The ET-DLE055 has a fixed short-focus lens. Therefore, the lens shift function provided in the main unit cannot be used.

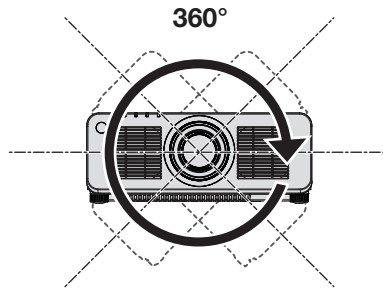
Installable angle

Install the projector at an angle within the range shown below.

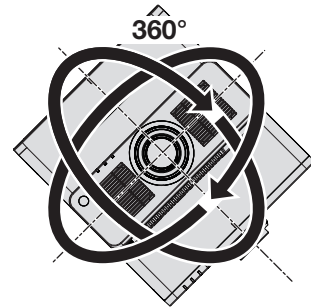
FULL 360-degree projection



360° vertically



360° horizontally



**360° tilted
(combination of vertical and horizontal)**

List of compatible signals

For details on DisplayPort signals, refer to "DisplayPort compatible signal list".

For details on SDI signals, refer to "Single Link SDI Supported Signal List", "Dual Link SDI Supported Signal List", and "Quad Link SDI Supported Signal List".

This projector supports the signal with ✓ in the compatible signal column.

•The content of the compatible signal column is as follows.

- DVI-D: DVI-D input
- HDMI: HDMI input
- DIGITAL LINK: DIGITAL LINK input

Signal name (SIGNAL FORMAT)	Resolution (Dots)	Scanning freq.		Dot clock freq. (MHz)	Compatible signal		
		Horizontal (kHz)	Vertical (Hz)		DVI-D	HDMI	DIGITAL LINK
480/60p	720 x 480	31.5	59.9	27.0	✓	✓	✓
576/50p	720 x 576	31.3	50.0	27.0	✓	✓	✓
720/50p	1280 x 720	37.5	50.0	74.3	✓	✓	✓
720/60p	1280 x 720	45.0	60.0 ^{※1}	74.3	✓	✓	✓
1080/50i	1920 x 1080 i	28.1	50.0	74.3	✓	✓	✓
1080/60i	1920 x 1080 i	33.8	60.0 ^{※1}	74.3	✓	✓	✓
1080/24p	1920 x 1080	27.0	24.0 ^{※1}	74.3	✓	✓	✓
1080/24sF	1920 x 1080 i	27.0	48.0 ^{※1}	74.3	✓	✓	✓
1080/25p	1920 x 1080	28.1	25.0	74.3	✓	✓	✓
1080/30p	1920 x 1080	33.8	30.0 ^{※1}	74.3	✓	✓	✓
1080/50p	1920 x 1080	56.3	50.0	148.5	✓	✓	✓
1080/60p	1920 x 1080	67.5	60.0 ^{※1}	148.5	✓	✓	✓
1080/120p	1920 x 1080	135.0	120.0	297.0	—	✓	✓
3840 x 2160/24p	3840 x 2160	54.0	24.0 ^{※1}	297.0	—	✓	✓
3840 x 2160/25p	3840 x 2160	56.3	25.0	297.0	—	✓	✓
3840 x 2160/30p	3840 x 2160	67.5	30.0 ^{※1}	297.0	—	✓	✓
3840 x 2160/50p	3840 x 2160	112.5	50.0	297.0	—	✓ ^{※2}	✓ ^{※2}
	3840 x 2160	112.5	50.0	594.0	—	✓	—
3840 x 2160/60p	3840 x 2160	135.0	60.0 ^{※1}	297.0	—	✓ ^{※2}	✓ ^{※2}
	3840 x 2160	135.0	60.0 ^{※1}	594.0	—	✓	—
4096 x 2160/24p	4096 x 2160	54.0	24.0 ^{※1}	297.0	—	✓	✓
4096 x 2160/25p	4096 x 2160	56.3	25.0	297.0	—	✓	✓
4096 x 2160/30p	4096 x 2160	67.5	30.0 ^{※1}	297.0	—	✓	✓
4096 x 2160/50p	4096 x 2160	112.5	50.0	297.0	—	✓ ^{※2}	✓ ^{※2}
	4096 x 2160	112.5	50.0	594.0	—	✓	—
4096 x 2160/60p	4096 x 2160	135.0	60.0 ^{※1}	297.0	—	✓ ^{※2}	✓ ^{※2}
	4096 x 2160	135.0	60.0 ^{※1}	594.0	—	✓	—
640 x 480/60	640 x 480	31.5	59.9	25.2	✓	✓	✓
1024 x 768/50	1024 x 768	39.6	50.0	51.9	✓	✓	✓
1024 x 768/60	1024 x 768	48.4	60.0	65.0	✓	✓	✓
1280 x 800/50	1280 x 800	41.3	50.0	68.0	✓	✓	✓
1280 x 800/60	1280 x 800	49.7	59.8	83.5	✓	✓	✓
1280 x 1024/50	1280 x 1024	52.4	50.0	88.0	✓	✓	✓
1280 x 1024/60	1280 x 1024	64.0	60.0	108.0	✓	✓	✓
1366 x 768/50	1366 x 768	39.6	49.9	69.0	✓	✓	✓
1366 x 768/60	1366 x 768	47.7	59.8	85.5	✓	✓	✓
1400 x 1050/50	1400 x 1050	54.1	50.0	99.9	✓	✓	✓
1400 x 1050/60	1400 x 1050	65.2	60.0	122.6	✓	✓	✓
1440 x 900/50	1440 x 900	46.3	49.9	86.8	✓	✓	✓
1440 x 900/60	1440 x 900	55.9	59.9	106.5	✓	✓	✓
1600 x 900/50	1600 x 900	46.4	49.9	96.5	✓	✓	✓
1600 x 900/60	1600 x 900	55.9	60.0	119.0	✓	✓	✓
1600 x 1200/50	1600 x 1200	61.8	49.9	131.5	✓	✓	✓
1600 x 1200/60	1600 x 1200	75.0	60.0	162.0	✓	✓	✓
1680 x 1050/50	1680 x 1050	54.1	50.0	119.5	✓	✓	✓
1680 x 1050/60	1680 x 1050	65.3	60.0	146.3	✓	✓	✓
1920 x 1200/50	1920 x 1200	61.8	49.9	158.3	✓	✓	✓
1920 x 1200/60RB	1920 x 1200 ^{※3}	74.0	60.0	154.0	✓	✓	✓

Signal name (SIGNAL FORMAT)	Resolution (Dots)	Scanning freq.		Dot clock freq. (MHz)	Compatible signal		
		Horizontal (kHz)	Vertical (Hz)		DVI-D	HDMI	DIGITAL LINK
3840 x 2400/30	3 840 x 2 400 ³	73.0	30.0	286.2	—	✓	✓
3840 x 2400/50	3 840 x 2 400 ³	122.9	50.0	481.6	—	✓	—
3840 x 2400/60	3 840 x 2 400 ³	148.1	60.0	592.5	—	✓	—

*1 The signal with 1/1.001x vertical scanning frequency is also supported.

*2 YPbPr 4:2:0 format only

*3 VESA CVT-RB (Reduced Blanking)-compliant

NOTE:

- The "i" at the end of the resolution indicates an interlaced signal.
- When interlaced signals are connected, flickering may occur on the projected image.

List of plug and play compatible signals

The following table specifies the video signals compatible with plug and play.

Signal with ✓ in the plug and play compatible signal column is the signal described in the EDID (extended display identification data) of the projector. For the signal without ✓ in the plug and play compatible signal column, the resolution may not be selected on the computer even if the projector is supporting it.

---DVI-D: DVI-D input

---HDMI: HDMI input

---DIGITAL LINK: DIGITAL LINK input

Signal name (SIGNAL FORMAT)	Resolution (Dots)	Scanning freq.		Dot clock freq. (MHz)	Compatible signal									
		Horizontal (kHz)	Vertical (Hz)		DVI-D			HDMI			DIGITAL LINK			
					EDID1	EDID2	EDID3	4K/60p	4K/30p	2K	4K/60p	4K/30p	2K	
480/60p	720 x 480	31.5	59.9	27.0	✓	—	✓	✓	✓	✓	✓	✓	✓	✓
576/50p	720 x 576	31.3	50.0	27.0	✓	—	✓	✓	✓	✓	✓	✓	✓	✓
720/50p	1280 x 720	37.5	50.0	74.3	✓	—	✓	✓	✓	✓	✓	✓	✓	✓
720/60p	1280 x 720	45.0	60.0*1	74.3	✓	—	✓	✓	✓	✓	✓	✓	✓	✓
1080/50i	1920 x 1080 i	28.1	50.0	74.3	✓	—	✓	✓	✓	✓	✓	✓	✓	✓
1080/60i	1920 x 1080 i	33.8	60.0*1	74.3	✓	—	✓	✓	✓	✓	✓	✓	✓	✓
1080/24p	1920 x 1080	27.0	24.0*1	74.3	✓	—	✓	✓	✓	✓	✓	✓	✓	✓
1080/24sF	1920 x 1080 i	27.0	48.0*1	74.3	—	—	—	—	—	—	—	—	—	—
1080/25p	1920 x 1080	28.1	25.0	74.3	✓	—	✓	✓	✓	✓	✓	✓	✓	✓
1080/30p	1920 x 1080	33.8	30.0*1	74.3	✓	—	✓	✓	✓	✓	✓	✓	✓	✓
1080/50p	1920 x 1080	56.3	50.0	148.5	✓	—	✓	✓	✓	✓	✓	✓	✓	✓
1080/60p	1920 x 1080	67.5	60.0*1	148.5	✓	—	✓	✓	✓	✓	✓	✓	✓	✓
3840 x 2160/24p	3840 x 2160	54.0	24.0*1	297.0	—	—	—	✓	✓	—	✓	✓	—	—
3840 x 2160/25p	3840 x 2160	56.3	25.0	297.0	—	—	—	✓	✓	—	✓	✓	—	—
3840 x 2160/30p	3840 x 2160	67.5	30.0*1	297.0	—	—	—	✓	✓	—	✓	✓	—	—
3840 x 2160/50p	3840 x 2160	112.5	50.0	297.0	—	—	—	✓*2	—	—	✓*2	—	—	—
	3840 x 2160	112.5	50.0	594.0	—	—	—	✓	—	—	—	—	—	—
3840 x 2160/60p	3840 x 2160	135.0	60.0*1	297.0	—	—	—	✓*2	—	—	✓*2	—	—	—
	3840 x 2160	135.0	60.0*1	594.0	—	—	—	✓	—	—	—	—	—	—
4096 x 2160/24p	4096 x 2160	54.0	24.0*1	297.0	—	—	—	✓	✓	—	✓	✓	—	—
4096 x 2160/25p	4096 x 2160	56.3	25.0	297.0	—	—	—	✓	✓	—	✓	✓	—	—
4096 x 2160/30p	4096 x 2160	67.5	30.0*1	297.0	—	—	—	✓	✓	—	✓	✓	—	—
4096 x 2160/50p	4096 x 2160	112.5	50.0	297.0	—	—	—	✓*2	—	—	✓*2	—	—	—
	4096 x 2160	112.5	50.0	594.0	—	—	—	✓	—	—	—	—	—	—
4096 x 2160/60p	4096 x 2160	135.0	60.0*1	297.0	—	—	—	✓*2	—	—	✓*2	—	—	—
	4096 x 2160	135.0	60.0*1	594.0	—	—	—	✓	—	—	—	—	—	—
640 x 480/60	640 x 480	31.5	59.9	25.2	✓	✓	✓	✓	✓	✓	✓	✓	✓	✓
1024 x 768/50	1024 x 768	39.6	50.0	51.9	—	—	—	—	—	—	—	—	—	—
1024 x 768/60	1024 x 768	48.4	60.0	65.0	—	✓	✓	✓	✓	✓	✓	✓	✓	✓
1280 x 800/50	1280 x 800	41.3	50.0	68.0	—	—	—	—	—	—	—	—	—	—
1280 x 800/60	1280 x 800	49.7	59.8	83.5	—	—	—	—	—	—	—	—	—	—
1280 x 1024/50	1280 x 1024	52.4	50.0	88.0	—	—	—	—	—	—	—	—	—	—
1280 x 1024/60	1280 x 1024	64.0	60.0	108.0	—	—	—	—	—	—	—	—	—	—
1366 x 768/50	1366 x 768	39.6	49.9	69.0	—	—	—	—	—	—	—	—	—	—
1366 x 768/60	1366 x 768	47.7	59.8	85.5	—	—	—	—	—	—	—	—	—	—
1400 x 1050/50	1400 x 1050	54.1	50.0	99.9	—	—	—	—	—	—	—	—	—	—
1400 x 1050/60	1400 x 1050	65.2	60.0	122.6	—	✓	✓	✓	✓	✓	✓	✓	✓	✓
1440 x 900/50	1440 x 900	46.3	49.9	86.8	—	—	—	—	—	—	—	—	—	—
1440 x 900/60	1440 x 900	55.9	59.9	106.5	—	—	—	—	—	—	—	—	—	—
1600 x 900/50	1600 x 900	46.4	49.9	96.5	—	—	—	—	—	—	—	—	—	—
1600 x 900/60	1600 x 900	55.9	60.0	119.0	—	✓	✓	✓	✓	✓	✓	✓	✓	✓
1600 x 1200/50	1600 x 1200	61.8	49.9	131.5	—	—	—	—	—	—	—	—	—	—
1600 x 1200/60	1600 x 1200	75.0	60.0	162.0	—	✓	✓	✓	✓	✓	✓	✓	✓	✓
1680 x 1050/50	1680 x 1050	54.1	50.0	119.5	—	—	—	—	—	—	—	—	—	—
1680 x 1050/60	1680 x 1050	65.3	60.0	146.3	—	—	—	—	—	—	—	—	—	—
1920 x 1200/50	1920 x 1200	61.8	49.9	158.3	—	—	—	—	—	—	—	—	—	—
1920 x 1200/60RB	1920 x 1200*3	74.0	60.0	154.0	—	✓	✓	✓	✓	✓	✓	✓	✓	✓

Signal name (SIGNAL FORMAT)	Resolution (Dots)	Scanning freq.		Dot clock freq. (MHz)	Compatible signal									
		Horizontal (kHz)	Vertical (Hz)		DVI-D			HDMI			DIGITAL LINK			
					EDID1	EDID2	EDID3	4K/60p	4K/30p	2K	4K/60p	4K/30p	2K	
3840 x 2400/30	3840 x 2400*3	73.0	30.0	286.2	—	—	—	—	—	—	—	—	—	—
3840 x 2400/50	3840 x 2400*3	122.9	50.0	481.6	—	—	—	—	—	—	—	—	—	—
3840 x 2400/60	3840 x 2400*3	148.1	60.0	592.5	—	—	—	—	—	—	—	—	—	—

*1 The signal with 1/1.001x vertical scanning frequency is also supported.

*2 YPbPr 4:2:0 format only

*3 VESA CVT-RB (Reduced Blanking)-compliant

NOTE:

- The "i" at the end of the resolution indicates an interlaced signal.
- When interlaced signals are connected, flickering may occur on the projected image.
- A signal with a different resolution is converted to the number of display dots. The number of display dots is as follows.
 - When the [ADVANCED MENU] menu → [SMOOTH PIXEL DRIVE] is set to [ON]: 4,608,000 pixels (2715x1697)
 - When the [ADVANCED MENU] menu → [SMOOTH PIXEL DRIVE] is set to [OFF]: 1920 x 1200

List of DisplayPort compatible signals

This is supported when the optional Interface Board for DisplayPort 2input (Model No.: ET-MDNDP10) is installed in the slot. The following table specifies the video signals compatible with plug and play. Signal with ✓ in the plug and play compatible signal column is the signal described in the EDID (extended display identification data) of the projector. For the signal without ✓ in the plug and play compatible signal column, the resolution may not be selected on the computer even if the projector is supporting it.

Signal name (SIGNAL FORMAT)	Resolution (Dots)	Scanning freq.		Dot clock freq. (MHz)	Compatible signal		
		Horizontal (kHz)	Vertical (Hz)		4K/60p	4K/30p	2K
720/50p	1280 x 720	37.5	50.0	74.3	✓	✓	✓
720/60p	1280 x 720	45.0	60.0*1	74.3	✓	✓	✓
1080/24p	1920 x 1080	27.0	24.0*1	74.3	✓	✓	✓
1080/25p	1920 x 1080	28.1	25.0	74.3	✓	✓	✓
1080/30p	1920 x 1080	33.8	30.0*1	74.3	✓	✓	✓
1080/50p	1920 x 1080	56.3	50.0	148.5	✓	✓	✓
1080/60p	1920 x 1080	67.5	60.0*1	148.5	✓	✓	✓
1080/120p	1920 x 1080	135.0	120.0	297.0	✓	✓	✓
3840 x 2160/24p	3840 x 2160	54.0	24.0*1	297.0	✓	✓	—
3840 x 2160/25p	3840 x 2160	56.3	25.0	297.0	✓	✓	—
3840 x 2160/30p	3840 x 2160	67.5	30.0*1	297.0	✓	✓	—
3840 x 2160/50p	3840 x 2160	112.5	50.0	594.0	✓	—	—
3840 x 2160/60p	3840 x 2160	135.0	60.0*1	594.0	✓	—	—
4096 x 2160/24p	4096 x 2160	54.0	24.0*1	297.0	✓	✓	—
4096 x 2160/25p	4096 x 2160	56.3	25.0	297.0	✓	✓	—
4096 x 2160/30p	4096 x 2160	67.5	30.0*1	297.0	✓	✓	—
4096 x 2160/50p	4096 x 2160	112.5	50.0	594.0	✓	—	—
4096 x 2160/60p	4096 x 2160	135.0	60.0*1	594.0	✓	—	—
640 x 480/60	640 x 480	31.5	59.9	25.2	✓	✓	✓
1024 x 768/50	1024 x 768	39.6	50.0	51.9	—	—	—
1024 x 768/60	1024 x 768	48.4	60.0	65.0	✓	✓	✓
1280 x 800/50	1280 x 800	41.3	50.0	68.0	—	—	—
1280 x 800/60	1280 x 800	49.7	59.8	83.5	—	—	—
1400 x 1050/50	1400 x 1050	54.1	50.0	99.9	—	—	—
1400 x 1050/60	1400 x 1050	65.2	60.0	122.6	✓	✓	✓
1600 x 900/50	1600 x 900	46.4	49.9	96.5	—	—	—
1600 x 900/60	1600 x 900	55.9	60.0	119.0	✓	✓	✓
1600 x 1200/50	1600 x 1200	61.8	49.9	131.5	—	—	—
1600 x 1200/60	1600 x 1200	75.0	60.0	162.0	✓	✓	✓
1920 x 1200/50	1920 x 1200	61.8	49.9	158.3	—	—	—
1920 x 1200/60RB	1920 x 1200*2	74.0	60.0	154.0	✓	✓	✓
3840 x 2400/30	3840 x 2400*2	73.0	30.0	286.2	—	—	—
3840 x 2400/50	3840 x 2400*2	122.9	50.0	481.6	—	—	—
3840 x 2400/60	3840 x 2400*2	148.1	60.0	592.5	—	—	—

*1 The signal with 1/1.001x vertical scanning frequency is also supported.

*2 VESA CVT-RB (Reduced Blanking)-compliant

NOTE:

- A signal with a different resolution is converted to the number of display dots. The number of display dots is as follows.
 - When the [ADVANCED MENU] menu → [SMOOTH PIXEL DRIVE] is set to [ON]: 4,608,000 pixels (2715x1697)
 - When the [ADVANCED MENU] menu → [SMOOTH PIXEL DRIVE] is set to [OFF]: 1920 x 1200
- If connecting the projector to a computer that uses an early-type chipset or graphics card compatible with DisplayPort, the projector or computer may not be operated properly when the signal output from DisplayPort on the computer is input to the projector. In such a case, switch off the projector or computer and then switch it on. If the signal output from DisplayPort is input to the projector, use of the computer equipped with the latest chipset or graphics card is recommended.

List of single link SDI compatible signals

The following table specifies the single link SDI signals that the projector can project.

In addition to the standard SDI input, this supports the input from the optional 12G-SDI Terminal Board with Audio (Model No.: ET-12GMDN10) installed in the slot.

- The content of the 4K division column is as follows.

—IL: Interleave (transmission format of 2-Sample Interleave Division)

Signal name (SIGNAL FORMAT)	Resolution (Dots)	Scanning freq.		Dot clock freq. (MHz)	4K method	Format	Color space	Sampling
		Horizontal (kHz)	Vertical (Hz)					
720/50p	1280 x 720	37.5	50.0	74.3	—	HD-SDI	YPbPr	4:2:2 10bit
720/60p	1280 x 720	45.0	60.0*1	74.3	—	HD-SDI	YPbPr	4:2:2 10bit
1080/50i	1920 x 1080 i	28.1	50.0	74.3	—	HD-SDI	YPbPr	4:2:2 10bit
	1920 x 1080 i	28.1	50.0	74.3	—	3G-SDI Level-A	RGB	4:4:4 10bit
	1920 x 1080 i	28.1	50.0	74.3	—	3G-SDI Level-B	RGB	4:4:4 10bit
	1920 x 1080 i	28.1	50.0	74.3	—	3G-SDI Level-A	RGB	4:4:4 12bit
	1920 x 1080 i	28.1	50.0	74.3	—	3G-SDI Level-B	RGB	4:4:4 12bit
1080/60i	1920 x 1080 i	33.8	60.0*1	74.3	—	HD-SDI	YPbPr	4:2:2 10bit
	1920 x 1080 i	33.8	60.0*1	74.3	—	3G-SDI Level-A	RGB	4:4:4 10bit
	1920 x 1080 i	33.8	60.0*1	74.3	—	3G-SDI Level-B	RGB	4:4:4 10bit
	1920 x 1080 i	33.8	60.0*1	74.3	—	3G-SDI Level-A	RGB	4:4:4 12bit
	1920 x 1080 i	33.8	60.0*1	74.3	—	3G-SDI Level-B	RGB	4:4:4 12bit
1080/24p	1920 x 1080	27.0	24.0*1	74.3	—	HD-SDI	YPbPr	4:2:2 10bit
	1920 x 1080	27.0	24.0*1	74.3	—	3G-SDI Level-A	RGB	4:4:4 10bit
	1920 x 1080	27.0	24.0*1	74.3	—	3G-SDI Level-B	RGB	4:4:4 10bit
	1920 x 1080	27.0	24.0*1	74.3	—	3G-SDI Level-A	RGB	4:4:4 12bit
	1920 x 1080	27.0	24.0*1	74.3	—	3G-SDI Level-B	RGB	4:4:4 12bit
1080/24sF	1920 x 1080 i	27.0	48.0*1	74.3	—	HD-SDI	YPbPr	4:2:2 10bit
	1920 x 1080 i	27.0	48.0*1	74.3	—	3G-SDI Level-A	RGB	4:4:4 10bit
	1920 x 1080 i	27.0	48.0*1	74.3	—	3G-SDI Level-B	RGB	4:4:4 10bit
	1920 x 1080 i	27.0	48.0*1	74.3	—	3G-SDI Level-A	RGB	4:4:4 12bit
	1920 x 1080 i	27.0	48.0*1	74.3	—	3G-SDI Level-B	RGB	4:4:4 12bit
1080/25p	1920 x 1080	28.1	25.0	74.3	—	HD-SDI	YPbPr	4:2:2 10bit
	1920 x 1080	28.1	25.0	74.3	—	3G-SDI Level-A	RGB	4:4:4 10bit
	1920 x 1080	28.1	25.0	74.3	—	3G-SDI Level-B	RGB	4:4:4 10bit
	1920 x 1080	28.1	25.0	74.3	—	3G-SDI Level-A	RGB	4:4:4 12bit
	1920 x 1080	28.1	25.0	74.3	—	3G-SDI Level-B	RGB	4:4:4 12bit
1080/30p	1920 x 1080	33.8	30.0*1	74.3	—	HD-SDI	YPbPr	4:2:2 10bit
	1920 x 1080	33.8	30.0*1	74.3	—	3G-SDI Level-A	RGB	4:4:4 10bit
	1920 x 1080	33.8	30.0*1	74.3	—	3G-SDI Level-B	RGB	4:4:4 10bit
	1920 x 1080	33.8	30.0*1	74.3	—	3G-SDI Level-A	RGB	4:4:4 12bit
	1920 x 1080	33.8	30.0*1	74.3	—	3G-SDI Level-B	RGB	4:4:4 12bit
1080/50p	1920 x 1080	56.3	50.0	148.5	—	3G-SDI Level-A	YPbPr	4:2:2 10bit
	1920 x 1080	56.3	50.0	148.5	—	3G-SDI Level-B	YPbPr	4:2:2 10bit
	1920 x 1080	56.3	50.0	148.5	—	6G-SDI Type 1	YPbPr	4:4:4 10bit
	1920 x 1080	56.3	50.0	148.5	—	6G-SDI Type 1	YPbPr	4:4:4 12bit
	1920 x 1080	56.3	50.0	148.5	—	6G-SDI Type 1	RGB	4:4:4 10bit
1080/60p	1920 x 1080	67.5	60.0*1	148.5	—	3G-SDI Level-A	YPbPr	4:2:2 10bit
	1920 x 1080	67.5	60.0*1	148.5	—	3G-SDI Level-B	YPbPr	4:2:2 10bit
	1920 x 1080	67.5	60.0*1	148.5	—	6G-SDI Type 1	YPbPr	4:4:4 10bit
	1920 x 1080	67.5	60.0*1	148.5	—	6G-SDI Type 1	YPbPr	4:4:4 12bit
	1920 x 1080	67.5	60.0*1	148.5	—	6G-SDI Type 1	RGB	4:4:4 10bit
2K/24p	2048 x 1080	27.0	24.0*1	74.3	—	3G-SDI Level-A	RGB	4:4:4 10bit
	2048 x 1080	27.0	24.0*1	74.3	—	3G-SDI Level-B	RGB	4:4:4 10bit
	2048 x 1080	27.0	24.0*1	74.3	—	3G-SDI Level-A	RGB	4:4:4 12bit
	2048 x 1080	27.0	24.0*1	74.3	—	3G-SDI Level-B	RGB	4:4:4 12bit
	2048 x 1080	28.1	25.0	74.3	—	3G-SDI Level-A	RGB	4:4:4 10bit
2K/25p	2048 x 1080	28.1	25.0	74.3	—	3G-SDI Level-B	RGB	4:4:4 10bit
	2048 x 1080	28.1	25.0	74.3	—	3G-SDI Level-A	RGB	4:4:4 12bit
	2048 x 1080	28.1	25.0	74.3	—	3G-SDI Level-B	RGB	4:4:4 12bit

Signal name (SIGNAL FORMAT)	Resolution (Dots)	Scanning freq.		Dot clock freq. (MHz)	4K method	Format	Color space	Sampling
		Horizontal (kHz)	Vertical (Hz)					
2K/30p	2048 x 1080	33.8	30.0*1	74.3	—	3G-SDI Level-A	RGB	4:4:4 10bit
	2048 x 1080	33.8	30.0*1	74.3	—	3G-SDI Level-B	RGB	4:4:4 10bit
	2048 x 1080	33.8	30.0*1	74.3	—	3G-SDI Level-A	RGB	4:4:4 12bit
	2048 x 1080	33.8	30.0*1	74.3	—	3G-SDI Level-B	RGB	4:4:4 12bit
2K/48p	2048 x 1080*2	54.0	48.0*1	148.5	—	3G-SDI Level-A	YPbPr	4:2:2 10bit
	2048 x 1080*2	54.0	48.0*1	148.5	—	3G-SDI Level-B	YPbPr	4:2:2 10bit
2K/50p	2048 x 1080	56.3	50.0	148.5	—	3G-SDI Level-A	YPbPr	4:2:2 10bit
	2048 x 1080	56.3	50.0	148.5	—	3G-SDI Level-B	YPbPr	4:2:2 10bit
	2048 x 1080*3	56.3	50.0	148.5	—	6G-SDI Type 1	YPbPr	4:4:4 10bit
	2048 x 1080*3	56.3	50.0	148.5	—	6G-SDI Type 1	YPbPr	4:4:4 12bit
	2048 x 1080*3	56.3	50.0	148.5	—	6G-SDI Type 1	RGB	4:4:4 10bit
2K/60p	2048 x 1080	67.5	60.0*1	148.5	—	3G-SDI Level-A	YPbPr	4:2:2 10bit
	2048 x 1080	67.5	60.0*1	148.5	—	3G-SDI Level-B	YPbPr	4:2:2 10bit
	2048 x 1080*3	67.5	60.0*1	148.5	—	6G-SDI Type 1	YPbPr	4:4:4 10bit
	2048 x 1080*3	67.5	60.0*1	148.5	—	6G-SDI Type 1	YPbPr	4:4:4 12bit
	2048 x 1080*3	67.5	60.0*1	148.5	—	6G-SDI Type 1	RGB	4:4:4 10bit
	2048 x 1080*3	67.5	60.0*1	148.5	—	6G-SDI Type 1	RGB	4:4:4 12bit
3840 x 2160/24p	3840 x 2160*3	54.0	24.0*1	297.0	IL	6G-SDI Type 2	YPbPr	4:2:2 10bit
	3840 x 2160*3	54.0	24.0*1	297.0	IL	12G-SDI Type 1	YPbPr	4:2:2 12bit
	3840 x 2160*3	54.0	24.0*1	297.0	IL	12G-SDI Type 1	YPbPr	4:4:4 10bit
	3840 x 2160*3	54.0	24.0*1	297.0	IL	12G-SDI Type 1	YPbPr	4:4:4 12bit
	3840 x 2160*3	54.0	24.0*1	297.0	IL	12G-SDI Type 1	RGB	4:4:4 10bit
	3840 x 2160*3	54.0	24.0*1	297.0	IL	12G-SDI Type 1	RGB	4:4:4 12bit
3840 x 2160/25p	3840 x 2160*3	56.3	25.0	297.0	IL	6G-SDI Type 2	YPbPr	4:2:2 10bit
	3840 x 2160*3	56.3	25.0	297.0	IL	12G-SDI Type 1	YPbPr	4:2:2 12bit
	3840 x 2160*3	56.3	25.0	297.0	IL	12G-SDI Type 1	YPbPr	4:4:4 10bit
	3840 x 2160*3	56.3	25.0	297.0	IL	12G-SDI Type 1	YPbPr	4:4:4 12bit
	3840 x 2160*3	56.3	25.0	297.0	IL	12G-SDI Type 1	RGB	4:4:4 10bit
	3840 x 2160*3	56.3	25.0	297.0	IL	12G-SDI Type 1	RGB	4:4:4 12bit
3840 x 2160/30p	3840 x 2160*3	67.5	30.0*1	297.0	IL	6G-SDI Type 2	YPbPr	4:2:2 10bit
	3840 x 2160*3	67.5	30.0*1	297.0	IL	12G-SDI Type 1	YPbPr	4:2:2 12bit
	3840 x 2160*3	67.5	30.0*1	297.0	IL	12G-SDI Type 1	YPbPr	4:4:4 10bit
	3840 x 2160*3	67.5	30.0*1	297.0	IL	12G-SDI Type 1	YPbPr	4:4:4 12bit
	3840 x 2160*3	67.5	30.0*1	297.0	IL	12G-SDI Type 1	RGB	4:4:4 10bit
	3840 x 2160*3	67.5	30.0*1	297.0	IL	12G-SDI Type 1	RGB	4:4:4 12bit
3840 x 2160/50p	3840 x 2160*3	112.5	50.0	594.0	IL	12G-SDI Type 1	YPbPr	4:2:2 10bit
3840 x 2160/60p	3840 x 2160*3	135.0	60.0*1	594.0	IL	12G-SDI Type 1	YPbPr	4:2:2 10bit
4096 x 2160/24p	4096 x 2160*3	54.0	24.0*1	297.0	IL	6G-SDI Type 2	YPbPr	4:2:2 10bit
	4096 x 2160*3	54.0	24.0*1	297.0	IL	12G-SDI Type 1	YPbPr	4:2:2 12bit
	4096 x 2160*3	54.0	24.0*1	297.0	IL	12G-SDI Type 1	YPbPr	4:4:4 10bit
	4096 x 2160*3	54.0	24.0*1	297.0	IL	12G-SDI Type 1	YPbPr	4:4:4 12bit
	4096 x 2160*3	54.0	24.0*1	297.0	IL	12G-SDI Type 1	RGB	4:4:4 10bit
	4096 x 2160*3	54.0	24.0*1	297.0	IL	12G-SDI Type 1	RGB	4:4:4 12bit
4096 x 2160/25p	4096 x 2160*3	56.3	25.0	297.0	IL	6G-SDI Type 2	YPbPr	4:2:2 10bit
	4096 x 2160*3	56.3	25.0	297.0	IL	12G-SDI Type 1	YPbPr	4:2:2 12bit
	4096 x 2160*3	56.3	25.0	297.0	IL	12G-SDI Type 1	YPbPr	4:4:4 10bit
	4096 x 2160*3	56.3	25.0	297.0	IL	12G-SDI Type 1	YPbPr	4:4:4 12bit
	4096 x 2160*3	56.3	25.0	297.0	IL	12G-SDI Type 1	RGB	4:4:4 10bit
	4096 x 2160*3	56.3	25.0	297.0	IL	12G-SDI Type 1	RGB	4:4:4 12bit
4096 x 2160/30p	4096 x 2160*3	67.5	30.0*1	297.0	IL	6G-SDI Type 2	YPbPr	4:2:2 10bit
	4096 x 2160*3	67.5	30.0*1	297.0	IL	12G-SDI Type 1	YPbPr	4:2:2 12bit
	4096 x 2160*3	67.5	30.0*1	297.0	IL	12G-SDI Type 1	YPbPr	4:4:4 10bit
	4096 x 2160*3	67.5	30.0*1	297.0	IL	12G-SDI Type 1	YPbPr	4:4:4 12bit
	4096 x 2160*3	67.5	30.0*1	297.0	IL	12G-SDI Type 1	RGB	4:4:4 10bit
	4096 x 2160*3	67.5	30.0*1	297.0	IL	12G-SDI Type 1	RGB	4:4:4 12bit

Signal name (SIGNAL FORMAT)	Resolution (Dots)	Scanning freq.		Dot clock freq. (MHz)	4K method	Format	Color space	Sampling
		Horizontal (kHz)	Vertical (Hz)					
4096 x 2160/50p	4096 x 2160*3	112.5	50.0	594.0	IL	12G-SDI Type 1	YPbPr	4:2:2 10bit
4096 x 2160/60p	4096 x 2160*3	135.0	60.0*1	594.0	IL	12G-SDI Type 1	YPbPr	4:2:2 10bit

*1 The signal with 1/1.001x vertical scanning frequency is also supported.

*2 The optional 3G-SDI Terminal Board with Audio (Model No.: TY-TBN03G) is not supported.

*3 Only the combination of the <SDI 1 IN> terminal and the <SDI 3 IN> terminal of the optional interface Board for 12G-SDI (Model No.:ET-MDN12G10) is supported.

List of dual link SDI compatible signals

The following table specifies the dual signal SDI signals that the projector can project.

In addition to the standard SDI input, this supports the input from the optional 12G-SDI Terminal Board with Audio (Model No.: ET-12GMDN10) installed in the slot.

- The content of the 4K division column is as follows.

—IL: Interleave (transmission format of 2-Sample Interleave Division)

Signal name (SIGNAL FORMAT)	Resolution (Dots)	Scanning freq.		Dot clock freq. (MHz)	4K method	Format	Color space	Sampling
		Horizontal (kHz)	Vertical (Hz)					
1080/50p	1920 x 1080	56.3	50.0	148.5	—	HD-SDI	YPbPr	4:2:2 10bit
	1920 x 1080	56.3	50.0	148.5	—	3G-SDI Level-A	YPbPr	4:4:4 10bit
	1920 x 1080	56.3	50.0	148.5	—	3G-SDI Level-B	YPbPr	4:4:4 10bit
	1920 x 1080	56.3	50.0	148.5	—	3G-SDI Level-A	YPbPr	4:4:4 12bit
	1920 x 1080	56.3	50.0	148.5	—	3G-SDI Level-B	YPbPr	4:4:4 12bit
	1920 x 1080	56.3	50.0	148.5	—	3G-SDI Level-A	RGB	4:4:4 10bit
	1920 x 1080	56.3	50.0	148.5	—	3G-SDI Level-B	RGB	4:4:4 10bit
	1920 x 1080	56.3	50.0	148.5	—	3G-SDI Level-A	RGB	4:4:4 12bit
	1920 x 1080	56.3	50.0	148.5	—	3G-SDI Level-B	RGB	4:4:4 12bit
1080/60p	1920 x 1080	67.5	60.0*1	148.5	—	HD-SDI	YPbPr	4:2:2 10bit
	1920 x 1080	67.5	60.0*1	148.5	—	3G-SDI Level-A	YPbPr	4:4:4 10bit
	1920 x 1080	67.5	60.0*1	148.5	—	3G-SDI Level-B	YPbPr	4:4:4 10bit
	1920 x 1080	67.5	60.0*1	148.5	—	3G-SDI Level-A	YPbPr	4:4:4 12bit
	1920 x 1080	67.5	60.0*1	148.5	—	3G-SDI Level-B	YPbPr	4:4:4 12bit
	1920 x 1080	67.5	60.0*1	148.5	—	3G-SDI Level-A	RGB	4:4:4 10bit
	1920 x 1080	67.5	60.0*1	148.5	—	3G-SDI Level-B	RGB	4:4:4 10bit
	1920 x 1080	67.5	60.0*1	148.5	—	3G-SDI Level-A	RGB	4:4:4 12bit
	1920 x 1080	67.5	60.0*1	148.5	—	3G-SDI Level-B	RGB	4:4:4 12bit
2K/48p	2048 x 1080	54.0	48.0*1	148.5	—	3G-SDI Level-A	YPbPr	4:4:4 10bit
	2048 x 1080	54.0	48.0*1	148.5	—	3G-SDI Level-B	YPbPr	4:4:4 10bit
	2048 x 1080	54.0	48.0*1	148.5	—	3G-SDI Level-A	YPbPr	4:4:4 12bit
	2048 x 1080	54.0	48.0*1	148.5	—	3G-SDI Level-B	YPbPr	4:4:4 12bit
	2048 x 1080	54.0	48.0*1	148.5	—	3G-SDI Level-A	RGB	4:4:4 10bit
	2048 x 1080	54.0	48.0*1	148.5	—	3G-SDI Level-B	RGB	4:4:4 10bit
	2048 x 1080	54.0	48.0*1	148.5	—	3G-SDI Level-A	RGB	4:4:4 12bit
	2048 x 1080	54.0	48.0*1	148.5	—	3G-SDI Level-B	RGB	4:4:4 12bit
	2048 x 1080	54.0	48.0*1	148.5	—	3G-SDI Level-A	RGB	4:4:4 12bit
2K/50p	2048 x 1080	56.3	50.0	148.5	—	3G-SDI Level-A	YPbPr	4:4:4 10bit
	2048 x 1080	56.3	50.0	148.5	—	3G-SDI Level-B	YPbPr	4:4:4 10bit
	2048 x 1080	56.3	50.0	148.5	—	3G-SDI Level-A	YPbPr	4:4:4 12bit
	2048 x 1080	56.3	50.0	148.5	—	3G-SDI Level-B	YPbPr	4:4:4 12bit
	2048 x 1080	56.3	50.0	148.5	—	3G-SDI Level-A	RGB	4:4:4 10bit
	2048 x 1080	56.3	50.0	148.5	—	3G-SDI Level-B	RGB	4:4:4 10bit
	2048 x 1080	56.3	50.0	148.5	—	3G-SDI Level-A	RGB	4:4:4 12bit
	2048 x 1080	56.3	50.0	148.5	—	3G-SDI Level-B	RGB	4:4:4 12bit
	2048 x 1080	56.3	50.0	148.5	—	3G-SDI Level-A	RGB	4:4:4 12bit
2K/60p	2048 x 1080	67.5	60.0*1	148.5	—	3G-SDI Level-A	YPbPr	4:4:4 10bit
	2048 x 1080	67.5	60.0*1	148.5	—	3G-SDI Level-B	YPbPr	4:4:4 10bit
	2048 x 1080	67.5	60.0*1	148.5	—	3G-SDI Level-A	YPbPr	4:4:4 12bit
	2048 x 1080	67.5	60.0*1	148.5	—	3G-SDI Level-B	YPbPr	4:4:4 12bit
	2048 x 1080	67.5	60.0*1	148.5	—	3G-SDI Level-A	RGB	4:4:4 10bit
	2048 x 1080	67.5	60.0*1	148.5	—	3G-SDI Level-B	RGB	4:4:4 10bit
	2048 x 1080	67.5	60.0*1	148.5	—	3G-SDI Level-A	RGB	4:4:4 12bit
	2048 x 1080	67.5	60.0*1	148.5	—	3G-SDI Level-B	RGB	4:4:4 12bit
	2048 x 1080	67.5	60.0*1	148.5	—	3G-SDI Level-A	RGB	4:4:4 12bit
3840 x 2160/24p	3840 x 2160	54.0	24.0*1	297.0	IL	3G-SDI Level-B Dual Stream	YPbPr	4:2:2 10bit
	3840 x 2160*2	54.0	24.0*1	297.0	IL	6G-SDI Type 1	YPbPr	4:2:2 12bit
	3840 x 2160*2	54.0	24.0*1	297.0	IL	6G-SDI Type 1	YPbPr	4:4:4 10bit
	3840 x 2160*2	54.0	24.0*1	297.0	IL	6G-SDI Type 1	YPbPr	4:4:4 12bit
	3840 x 2160*2	54.0	24.0*1	297.0	IL	6G-SDI Type 1	RGB	4:4:4 10bit
	3840 x 2160*2	54.0	24.0*1	297.0	IL	6G-SDI Type 1	RGB	4:4:4 12bit

Signal name (SIGNAL FORMAT)	Resolution (Dots)	Scanning freq.		Dot clock freq. (MHz)	4K method	Format	Color space	Sampling
		Horizontal (kHz)	Vertical (Hz)					
3840 x 2160/25p	3840 x 2160	56.3	25.0	297.0	IL	3G-SDI Level-B Dual Stream	YPbPr	4:2:2 10bit
	3840 x 2160*2	56.3	25.0	297.0	IL	6G-SDI Type 1	YPbPr	4:2:2 12bit
	3840 x 2160*2	56.3	25.0	297.0	IL	6G-SDI Type 1	YPbPr	4:4:4 10bit
	3840 x 2160*2	56.3	25.0	297.0	IL	6G-SDI Type 1	YPbPr	4:4:4 12bit
	3840 x 2160*2	56.3	25.0	297.0	IL	6G-SDI Type 1	RGB	4:4:4 10bit
	3840 x 2160*2	56.3	25.0	297.0	IL	6G-SDI Type 1	RGB	4:4:4 12bit
3840 x 2160/30p	3840 x 2160	56.3	30.0*1	297.0	IL	3G-SDI Level-B Dual Stream	YPbPr	4:2:2 10bit
	3840 x 2160*2	56.3	30.0*1	297.0	IL	6G-SDI Type 1	YPbPr	4:2:2 12bit
	3840 x 2160*2	56.3	30.0*1	297.0	IL	6G-SDI Type 1	YPbPr	4:4:4 10bit
	3840 x 2160*2	56.3	30.0*1	297.0	IL	6G-SDI Type 1	YPbPr	4:4:4 12bit
	3840 x 2160*2	56.3	30.0*1	297.0	IL	6G-SDI Type 1	RGB	4:4:4 10bit
	3840 x 2160*2	56.3	30.0*1	297.0	IL	6G-SDI Type 1	RGB	4:4:4 12bit
3840 x 2160/50p	3840 x 2160*2	112.5	50.0	594.0	IL	6G-SDI Type 1	YPbPr	4:2:2 10bit
3840 x 2160/60p	3840 x 2160*2	135.0	60.0*1	594.0	IL	6G-SDI Type 1	YPbPr	4:2:2 10bit
4096 x 2160/24p	4096 x 2160	54.0	24.0*1	297.0	IL	3G-SDI Level-B Dual Stream	YPbPr	4:2:2 10bit
	4096 x 2160*2	54.0	24.0*1	297.0	IL	6G-SDI Type 1	YPbPr	4:2:2 12bit
	4096 x 2160*2	54.0	24.0*1	297.0	IL	6G-SDI Type 1	YPbPr	4:4:4 10bit
	4096 x 2160*2	54.0	24.0*1	297.0	IL	6G-SDI Type 1	YPbPr	4:4:4 12bit
	4096 x 2160*2	54.0	24.0*1	297.0	IL	6G-SDI Type 1	RGB	4:4:4 10bit
	4096 x 2160*2	54.0	24.0*1	297.0	IL	6G-SDI Type 1	RGB	4:4:4 12bit
4096 x 2160/25p	4096 x 2160	56.3	25.0	297.0	IL	3G-SDI Level-B Dual Stream	YPbPr	4:2:2 10bit
	4096 x 2160*2	56.3	25.0	297.0	IL	6G-SDI Type 1	YPbPr	4:2:2 12bit
	4096 x 2160*2	56.3	25.0	297.0	IL	6G-SDI Type 1	YPbPr	4:4:4 10bit
	4096 x 2160*2	56.3	25.0	297.0	IL	6G-SDI Type 1	YPbPr	4:4:4 12bit
	4096 x 2160*2	56.3	25.0	297.0	IL	6G-SDI Type 1	RGB	4:4:4 10bit
	4096 x 2160*2	56.3	25.0	297.0	IL	6G-SDI Type 1	RGB	4:4:4 12bit
4096 x 2160/30p	4096 x 2160	67.5	30.0*1	297.0	IL	3G-SDI Level-B Dual Stream	YPbPr	4:2:2 10bit
	4096 x 2160*2	67.5	30.0*1	297.0	IL	6G-SDI Type 1	YPbPr	4:2:2 12bit
	4096 x 2160*2	67.5	30.0*1	297.0	IL	6G-SDI Type 1	YPbPr	4:4:4 10bit
	4096 x 2160*2	67.5	30.0*1	297.0	IL	6G-SDI Type 1	YPbPr	4:4:4 12bit
	4096 x 2160*2	67.5	30.0*1	297.0	IL	6G-SDI Type 1	RGB	4:4:4 10bit
	4096 x 2160*2	67.5	30.0*1	297.0	IL	6G-SDI Type 1	RGB	4:4:4 12bit
4096 x 2160/50p	4096 x 2160*2	112.5	50.0	594.0	IL	6G-SDI Type 1	YPbPr	4:2:2 10bit
4096 x 2160/60p	4096 x 2160*2	135.0	60.0*1	594.0	IL	6G-SDI Type 1	YPbPr	4:2:2 10bit

*1 The signal with 1/1.001x vertical scanning frequency is also supported.

*2 Only the combination of the <SDI 1 IN> terminal and the <SDI 3 IN> terminal of the optional interface Board for 12G-SDI (Model No.:ET-MDN12G10) is supported.

List of quad link SDI compatible signals

The following table specifies the quad link SDI signals that the projector can project. In addition to the standard SDI input, this supports the input from the optional 12G-SDI Terminal Board with Audio (Model No.: ET-12GMDN10) installed in the slot.

- The content of the 4K division column is as follows.
 ---IL: Interleave (transmission format of 2-Sample Interleave Division)

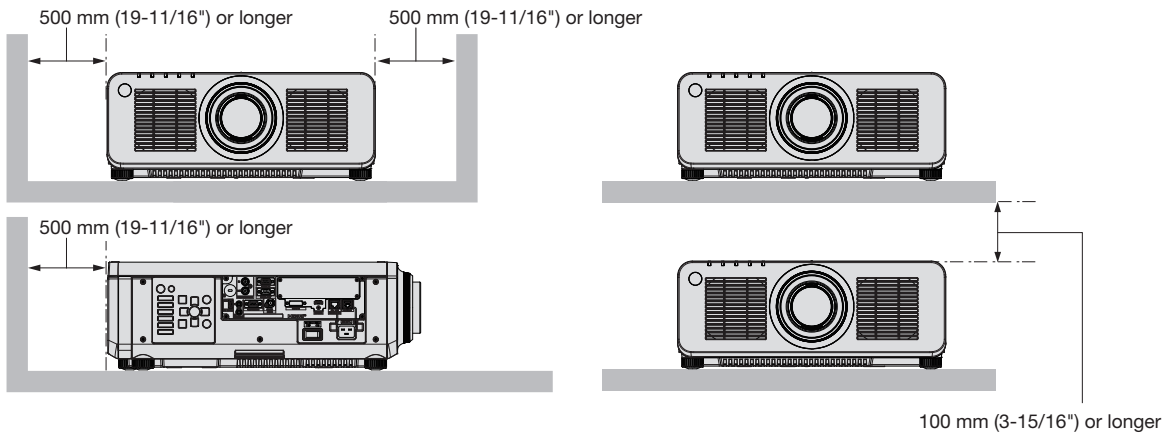
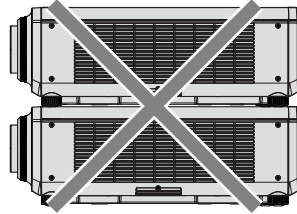
Signal name (SIGNAL FORMAT)	Resolution (Dots)	Scanning freq.		Dot clock freq. (MHz)	4K method	Format	Color space	Sampling
		Horizontal (kHz)	Vertical (Hz)					
3840 x 2160/24p	3840 x 2160	54.0	24.0*1	297.0	IL	3G-SDI Level-A	YPbPr	4:2:2 12bit
	3840 x 2160	54.0	24.0*1	297.0	IL	3G-SDI Level-B	YPbPr	4:2:2 12bit
	3840 x 2160	54.0	24.0*1	297.0	IL	3G-SDI Level-A	YPbPr	4:4:4 10bit
	3840 x 2160	54.0	24.0*1	297.0	IL	3G-SDI Level-B	YPbPr	4:4:4 10bit
	3840 x 2160	54.0	24.0*1	297.0	IL	3G-SDI Level-A	YPbPr	4:4:4 12bit
	3840 x 2160	54.0	24.0*1	297.0	IL	3G-SDI Level-B	YPbPr	4:4:4 12bit
	3840 x 2160	54.0	24.0*1	297.0	IL	3G-SDI Level-A	RGB	4:4:4 10bit
	3840 x 2160	54.0	24.0*1	297.0	IL	3G-SDI Level-B	RGB	4:4:4 10bit
	3840 x 2160	54.0	24.0*1	297.0	IL	3G-SDI Level-A	RGB	4:4:4 12bit
	3840 x 2160	54.0	24.0*1	297.0	IL	3G-SDI Level-B	RGB	4:4:4 12bit
3840 x 2160/25p	3840 x 2160	56.3	25.0	297.0	IL	3G-SDI Level-A	YPbPr	4:2:2 12bit
	3840 x 2160	56.3	25.0	297.0	IL	3G-SDI Level-B	YPbPr	4:2:2 12bit
	3840 x 2160	56.3	25.0	297.0	IL	3G-SDI Level-A	YPbPr	4:4:4 10bit
	3840 x 2160	56.3	25.0	297.0	IL	3G-SDI Level-B	YPbPr	4:4:4 10bit
	3840 x 2160	56.3	25.0	297.0	IL	3G-SDI Level-A	YPbPr	4:4:4 12bit
	3840 x 2160	56.3	25.0	297.0	IL	3G-SDI Level-B	YPbPr	4:4:4 12bit
	3840 x 2160	56.3	25.0	297.0	IL	3G-SDI Level-A	RGB	4:4:4 10bit
	3840 x 2160	56.3	25.0	297.0	IL	3G-SDI Level-B	RGB	4:4:4 10bit
	3840 x 2160	56.3	25.0	297.0	IL	3G-SDI Level-A	RGB	4:4:4 12bit
	3840 x 2160	56.3	25.0	297.0	IL	3G-SDI Level-B	RGB	4:4:4 12bit
3840 x 2160/30p	3840 x 2160	67.5	30.0*1	297.0	IL	3G-SDI Level-A	YPbPr	4:2:2 12bit
	3840 x 2160	67.5	30.0*1	297.0	IL	3G-SDI Level-B	YPbPr	4:2:2 12bit
	3840 x 2160	67.5	30.0*1	297.0	IL	3G-SDI Level-A	YPbPr	4:4:4 10bit
	3840 x 2160	67.5	30.0*1	297.0	IL	3G-SDI Level-B	YPbPr	4:4:4 10bit
	3840 x 2160	67.5	30.0*1	297.0	IL	3G-SDI Level-A	YPbPr	4:4:4 12bit
	3840 x 2160	67.5	30.0*1	297.0	IL	3G-SDI Level-B	YPbPr	4:4:4 12bit
	3840 x 2160	67.5	30.0*1	297.0	IL	3G-SDI Level-A	RGB	4:4:4 10bit
	3840 x 2160	67.5	30.0*1	297.0	IL	3G-SDI Level-B	RGB	4:4:4 10bit
	3840 x 2160	67.5	30.0*1	297.0	IL	3G-SDI Level-A	RGB	4:4:4 12bit
	3840 x 2160	67.5	30.0*1	297.0	IL	3G-SDI Level-B	RGB	4:4:4 12bit
3840 x 2160/50p	3840 x 2160	112.5	50.0	594.0	IL	3G-SDI Level-A	YPbPr	4:2:2 10bit
	3840 x 2160	112.5	50.0	594.0	IL	3G-SDI Level-B	YPbPr	4:2:2 10bit
3840 x 2160/60p	3840 x 2160	135.0	60.0*1	594.0	IL	3G-SDI Level-A	YPbPr	4:2:2 10bit
	3840 x 2160	135.0	60.0*1	594.0	IL	3G-SDI Level-B	YPbPr	4:2:2 10bit
4096 x 2160/24p	4096 x 2160	54.0	24.0*1	297.0	IL	3G-SDI Level-A	YPbPr	4:2:2 12bit
	4096 x 2160	54.0	24.0*1	297.0	IL	3G-SDI Level-B	YPbPr	4:2:2 12bit
	4096 x 2160	54.0	24.0*1	297.0	IL	3G-SDI Level-A	YPbPr	4:4:4 10bit
	4096 x 2160	54.0	24.0*1	297.0	IL	3G-SDI Level-B	YPbPr	4:4:4 10bit
	4096 x 2160	54.0	24.0*1	297.0	IL	3G-SDI Level-A	YPbPr	4:4:4 12bit
	4096 x 2160	54.0	24.0*1	297.0	IL	3G-SDI Level-B	YPbPr	4:4:4 12bit
	4096 x 2160	54.0	24.0*1	297.0	IL	3G-SDI Level-A	RGB	4:4:4 10bit
	4096 x 2160	54.0	24.0*1	297.0	IL	3G-SDI Level-B	RGB	4:4:4 10bit
	4096 x 2160	54.0	24.0*1	297.0	IL	3G-SDI Level-A	RGB	4:4:4 12bit
	4096 x 2160	54.0	24.0*1	297.0	IL	3G-SDI Level-B	RGB	4:4:4 12bit

Signal name (SIGNAL FORMAT)	Resolution (Dots)	Scanning freq.		Dot clock freq. (MHz)	4K method	Format	Color space	Sampling
		Horizontal (kHz)	Vertical (Hz)					
4096 x 2160/25p	4096 x 2160	56.3	25.0	297.0	IL	3G-SDI Level-A	YPbPr	4:2:2 12bit
	4096 x 2160	56.3	25.0	297.0	IL	3G-SDI Level-B	YPbPr	4:2:2 12bit
	4096 x 2160	56.3	25.0	297.0	IL	3G-SDI Level-A	YPbPr	4:4:4 10bit
	4096 x 2160	56.3	25.0	297.0	IL	3G-SDI Level-B	YPbPr	4:4:4 10bit
	4096 x 2160	56.3	25.0	297.0	IL	3G-SDI Level-A	YPbPr	4:4:4 12bit
	4096 x 2160	56.3	25.0	297.0	IL	3G-SDI Level-B	YPbPr	4:4:4 12bit
	4096 x 2160	56.3	25.0	297.0	IL	3G-SDI Level-A	RGB	4:4:4 10bit
	4096 x 2160	56.3	25.0	297.0	IL	3G-SDI Level-B	RGB	4:4:4 10bit
	4096 x 2160	56.3	25.0	297.0	IL	3G-SDI Level-A	RGB	4:4:4 12bit
	4096 x 2160	56.3	25.0	297.0	IL	3G-SDI Level-B	RGB	4:4:4 12bit
4096 x 2160/30p	4096 x 2160	67.5	30.0*1	297.0	IL	3G-SDI Level-A	YPbPr	4:2:2 12bit
	4096 x 2160	67.5	30.0*1	297.0	IL	3G-SDI Level-B	YPbPr	4:2:2 12bit
	4096 x 2160	67.5	30.0*1	297.0	IL	3G-SDI Level-A	YPbPr	4:4:4 10bit
	4096 x 2160	67.5	30.0*1	297.0	IL	3G-SDI Level-B	YPbPr	4:4:4 10bit
	4096 x 2160	67.5	30.0*1	297.0	IL	3G-SDI Level-A	YPbPr	4:4:4 12bit
	4096 x 2160	67.5	30.0*1	297.0	IL	3G-SDI Level-B	YPbPr	4:4:4 12bit
	4096 x 2160	67.5	30.0*1	297.0	IL	3G-SDI Level-A	RGB	4:4:4 10bit
	4096 x 2160	67.5	30.0*1	297.0	IL	3G-SDI Level-B	RGB	4:4:4 10bit
	4096 x 2160	67.5	30.0*1	297.0	IL	3G-SDI Level-A	RGB	4:4:4 12bit
	4096 x 2160	67.5	30.0*1	297.0	IL	3G-SDI Level-B	RGB	4:4:4 12bit
4096 x 2160/50p	4096 x 2160	112.5	50.0	594.0	IL	3G-SDI Level-A	YPbPr	4:2:2 10bit
	4096 x 2160	112.5	50.0	594.0	IL	3G-SDI Level-B	YPbPr	4:2:2 10bit
4096 x 2160/60p	4096 x 2160	135.0	60.0*1	594.0	IL	3G-SDI Level-A	YPbPr	4:2:2 10bit
	4096 x 2160	135.0	60.0*1	594.0	IL	3G-SDI Level-B	YPbPr	4:2:2 10bit

*1 The signal with 1/1.001x vertical scanning frequency is also supported.

Notes on projector placement and operation

- Prevent hot and cool air from the air conditioning system to blow directly to the ventilation ports (intake and exhaust) of the projector.
- Do not stack projectors on top of each other.
- Do not block the ventilation ports (intake and exhaust) of the projector.



- Do not install the projector in a confined space. When installing the projector in a confined space, provide air conditioning or ventilation separately. Exhaust heat may accumulate when the ventilation is not enough, triggering the protection circuit of the projector.