

WV-S71300-F3

A stylish compact AI network camera that is blending seamlessly into any surrounding and providing insights beyond security.

2MP(1080p) Indoor mini Box Network Camera with AI Engine



- 2MP (1080p)
- Intelligent Auto (with AI Engine)
- Smart Coding (with AI Engine)
- Direction change detection
- Compact body
- NDAA Compliant

SPECIFICATIONS

Camera	
Image Sensor	Approx. 1/2.8 type CMOS image sensor
Minimum Illumination	Color : 0.21 lx {30IRE, F2.0, 1/30s} Color : 0.3 lx {50IRE, F2.0, 1/30s} BW : 0.2 lx {50IRE, F2.0, 1/30s}
White Balance	ATW1/ ATW2/ AWC
Shutter Speed	[30 fps][15 fps] 16/30s Fix to 1/10000s [25 fps][12.5 fps] 16/25s Fix to 1/10000s
Intelligent Auto	On / Off
Adaptive Black Stretch	The level can be set in the range of 0 to 255.
Back Light Compensation/High Light Compensation	BLC (Back light compensation) / HLC (High light compensation) / Off (only when intelligent Auto : Off)
Fog Compensation	On / Off (only when Intelligent auto / auto contrast adjust : Off)
Maximum gain (AGC)	The level can be set in the range of 0 to 11.
Color/BW (ICR)	Auto/Off
Light control mode setting	Indoor scene (50 Hz) / Indoor scene (60 Hz) / ELC
Digital Noise Reduction	The level can be set in the range of 0 to 255.
Video Motion Detection (VMD)	On / Off, 4 areas available
Scene Change Detection (SCD)	On / Off, 1 areas available
Audio Detection	On / Off
AI Sound Classification	Gunshot, Yell, Vehicle horn, Glass break
AI Analytics	Yes
Privacy Zone	On / Off, Up to 8 zones available
VIQS	On / Off, Up to 8 zones available

Image Rotation	0 ° / 90 ° / 180 ° / 270 °
Camera Title (OSD)	On / Off, Up to 40 characters Up to 2 lines (alphanumeric characters, marks)

Lens	
Optical zoom	1.0 x
Extra zoom	1.0 - 3.0 x (when resolution is 640 x 360)
Focal length	3.2 mm
Angular Field of View	[16 : 9 mode] Horizontal : 81.1°, Vertical : 51.4° [4 : 3 mode] Horizontal : 60.8°, Vertical : 51.4°
Aperture	1 : 2.0
Focus range	0.5 m to ∞

DORI	
Detect (25ppm / 8ppf)	44.9 m / 147.2 ft
Observe (62.5ppm / 19ppf)	18.0 m / 58.9 ft
Recognize (125ppm / 38ppf)	9.0 m / 29.4 ft
Identify (250ppm / 76ppf)	4.5 m / 14.7 ft

System on Chip (SoC)	
System on Chip (SoC)	Ambarella CV22

OS Browser	
OS	Microsoft Windows 11 Microsoft Windows 10
Browser	Microsoft Edge, Firefox, Google Chrome

Network	
Network IF	10Base-T / 100Base-TX, RJ45 connector

Resolution H.265/ H.264/ JPEG (MJPEG)	[16:9 mode (30 fps mode)], [16:9 mode (25 fps mode)] 1920x1080, 1280x720, 640x360, 320x180 [4:3 mode (30 fps mode)], [4:3 mode (25 fps mode)] 1280x960, 640x480, 320x240 [4:3 mode (15 fps mode)], [4:3 mode (12.5 fps mode)] 2048x1536*4 , 1280x960, 640x480, 320x240
H.265/H.264	[Transmission Mode] Constant bit rate / VBR / Frame rate / Best effort [Transmission Type] Unicast port (AUTO) / Unicast port (MANUAL) / Multicast
JPEG	[Image Quality] 10 steps
Smart Coding	GOP (Group of pictures control): Off/ Low (Variable GOP 1s-8s)/ Mid (Variable GOP 4s-16s) / Advanced(Fixed GOP 60s w/1s key-frame) / Frame rate control (Variable GOP 4s-16s with frame rate control) *Advanced and Frame rate control are only available with H.265. Smart VIQS: On(High)/On(Low)/Off, Smart P-picture control: On/Off
Audio Compression	G.726 (ADPCM) : 16 kbps / 32 kbps G.711 : 64 kbps AAC-LC*6 : 64 kbps / 96 kbps / 128 kbps
Supported Protocol	IPv6: TCP/IP, UDP/IP, HTTP, HTTPS, SSL/TLS, SMTP, DNS, NTP, SNMPv1/v2/v3, DHCPv6, RTP, MLD, ICMP, ARP, IEEE 802.1X, DiffServ, SFTP, MQTT, LLDP IPv4: TCP/IP, UDP/IP, HTTP, HTTPS, SSL/TLS, RTSP, RTP, RTP/RTCP, SMTP, DHCP, DNS, DDNS, NTP, SNMPv1/v2/v3, UPnP, IGMP, ICMP, ARP, IEEE 802.1X, DiffServ, SRTP, SFTP, MQTT, LLDP
Security	User authentication, Host authentication, HTTPS
No. of Simultaneous Users	Up to 14 users (Depends on network conditions)
Secure	Device Certificate GlobalSign® pre-installed, User authentication, Host authentication, HTTPS, 802.1X Support, Data encryption
Multi-screen	Display 16 cameras simultaneously Supports only MJPEG/JPEG (still image update)
microSD memory card	microSDXC memory card: 64 GB, 128 GB, 256 GB, 512 GB microSDHC memory card: 4 GB, 8 GB, 16 GB, 32 GB microSD memory card: 2 GB
Mobile Terminal Compatibility	iPad, iPhone (iOS 8.0 ~), Android™ terminals

ONVIF® Profile	G / M / S / T
----------------	---------------

General

Safety	CE, IEC62368-1
EMC	FCC (Part15 ClassA), ICES-003 ClassA, EN55032 ClassA, EN55035
Power Source and Power Consumption	DC5 V(USB Type-C) (USB Power Delivery not supported), 1.5 A, Approx. 7.5 w PoE (IEEE802.3af compliant) Device : DC48 V 170 mA, Approx. 8.2 W(Class 0 device)
Ambient Operating Temperature	-10 °C to +40 °C (14 °F to 104 °F) Power on : 0 °C ~ +40 °C (32 °F to 104 °F)
Ambient Operating Humidity	10 to 90 % (no condensation)
Built-in microphone	Omnidirectional Electret Condenser Microphone x2
USB port	High-speed serial interface (theoretical value: 480 Mbps) USB2.0 1 line
Waterproof	IP44 (IEC 60529)
Dimensions	Without protective cover 102 mm (W) × 48 mm (H) × 21 mm (D) {4-1/32 inches (W) × 1-7/8 inches (H) × 13/16 inches (D)} (Depth when mounting seat is installed: +29.5 mm {+1-5/32 inches}) With protective cover 103.5 mm (W) × 51 mm (H) × 24 mm (D) {4-1/16 inches (W) × 2 inches (H) × 15/16 inches (D)} (Depth when mounting seat is installed: +28 mm {+1-3/32 inches})
Mass (approx.)	Approx. 157 g (excluding the mounting base and protective cover) Approx. 169 g (excluding the mounting base, including the protective cover) Approx. 197 g (including mounting base and protective cover)
Finish	PC resin, Aluminum die-casting, i-PRO white

AI Analytics applications

AI Video Motion Detection (AI-VMD)	YES / Advanced video analysis technology detects objects in a specified area.
AI Privacy Guard	YES / To protect privacy and portrait rights, it is possible to automatically apply a mosaic the entire face and figure of a person photographed by the camera

AI Face Detection	YES / Detects faces with high precision even in low-light, backlit, and mask-wearing environments.
AI People Detection	YES / Extract the characteristics of human face / clothing and classify them into meaningful categories such as gender, age, and clothing color.
AI Vehicle Detection	YES / Extract vehicle characteristics and classify them into meaningful categories such as type and color.
AI Non mask Detection	YES / Deep-learning and proprietary image processing technologies recognize mask and detect people who are not wearing them.
AI Occupancy Detection	YES / Detecting the congestion via network camera with AI engine enables that information to be used direct visitors in advance or help store staff work more efficiently.

NOTES

Important

- Safety Precautions : Carefully read the Basic Information, Installation Guide and Operating Instructions before using this product.
- i-PRO Co., Ltd. cannot be held responsible for the performance of the network and/or other manufacturers' products used on the network.
- Masses and dimensions are approximate.
- Specifications are subject to change without notice.

Trademarks and registered trademarks

- iPad and iPhone are trademarks of Apple Inc., registered in the U.S. and other countries. - Android is a trademark of Google LLC.
- ONVIF is a trademark of ONVIF, Inc.
- All other trademarks identified herein are the property of their respective owners

©i-PRO Co., Ltd All rights reserved / November 2022

OPTIONAL ACCESSORIES

Select a compatible accessory

[Accessory Selector \(i-pro.com\)](https://i-pro.com).



PUM9

Ceiling or Wall Mount
Bracket



WV-QCL102-W

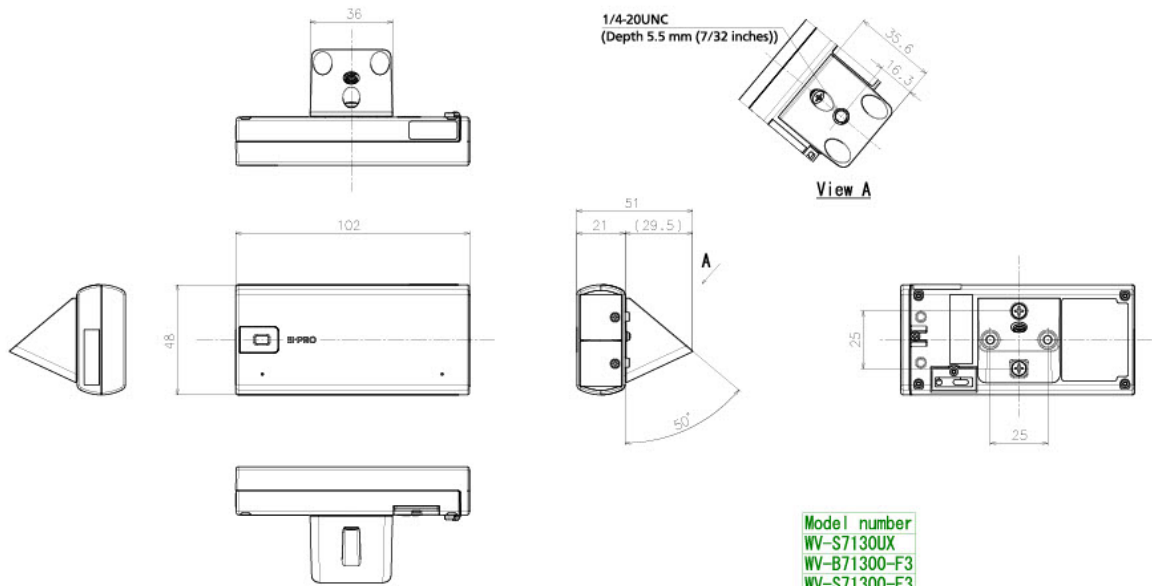
Universal Camera
Mount Bracket



WV-QLR100-W

Light Rail Mount
Bracket

APPEARANCE



Model number
WV-S7130UX
WV-B71300-F3
WV-S71300-F3

Mass : Approx. 185 g (0.41 lbs)