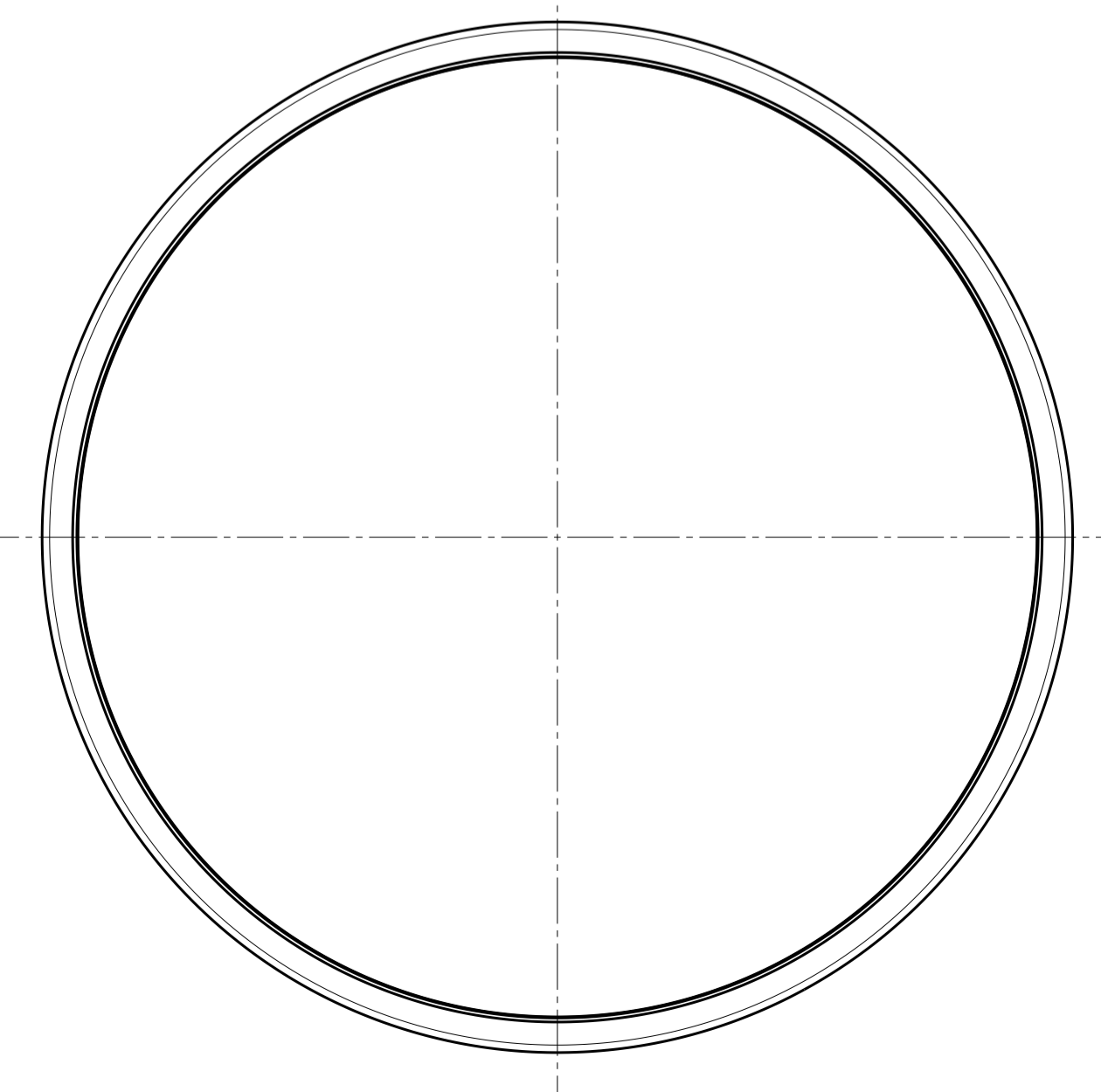
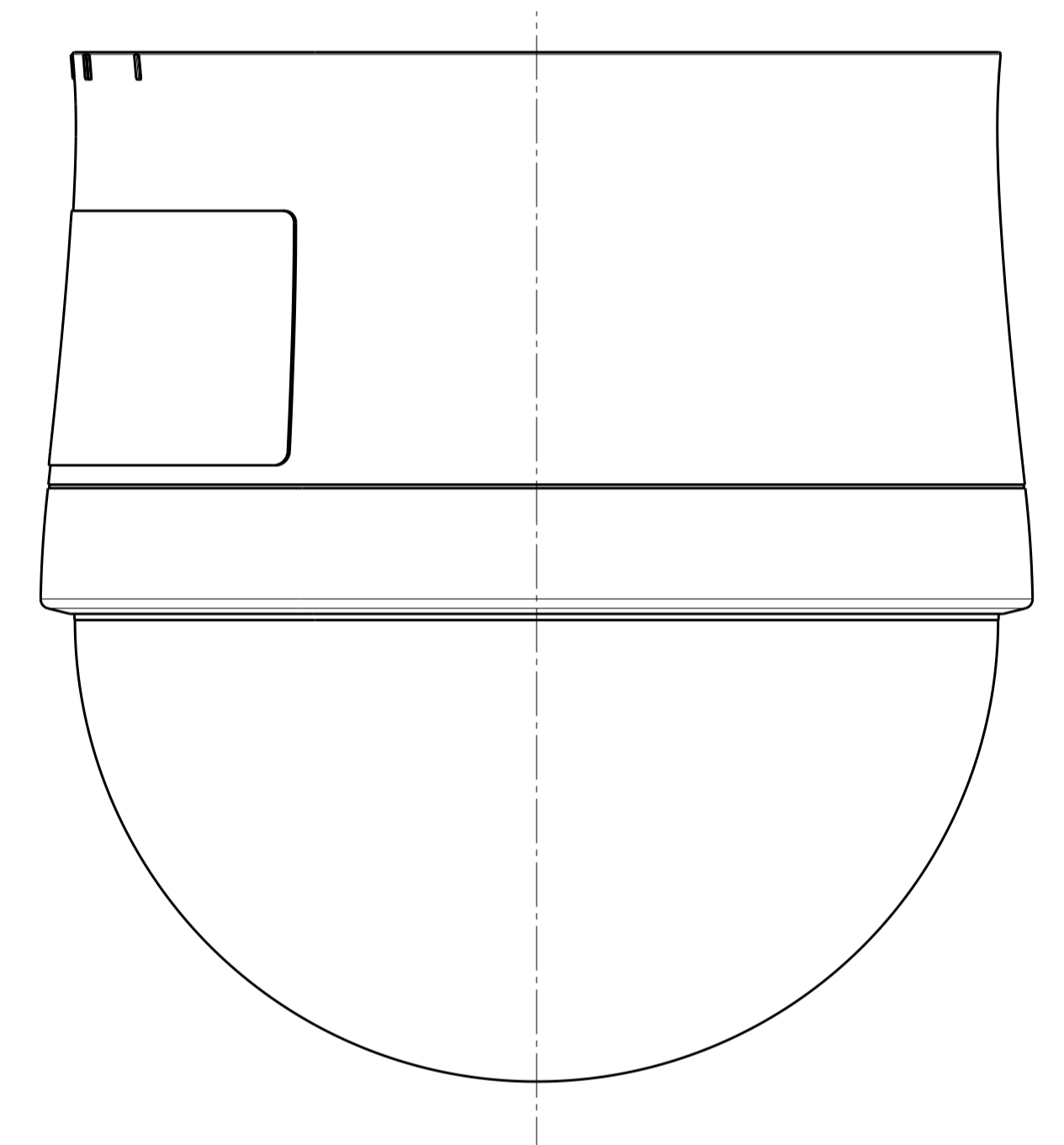
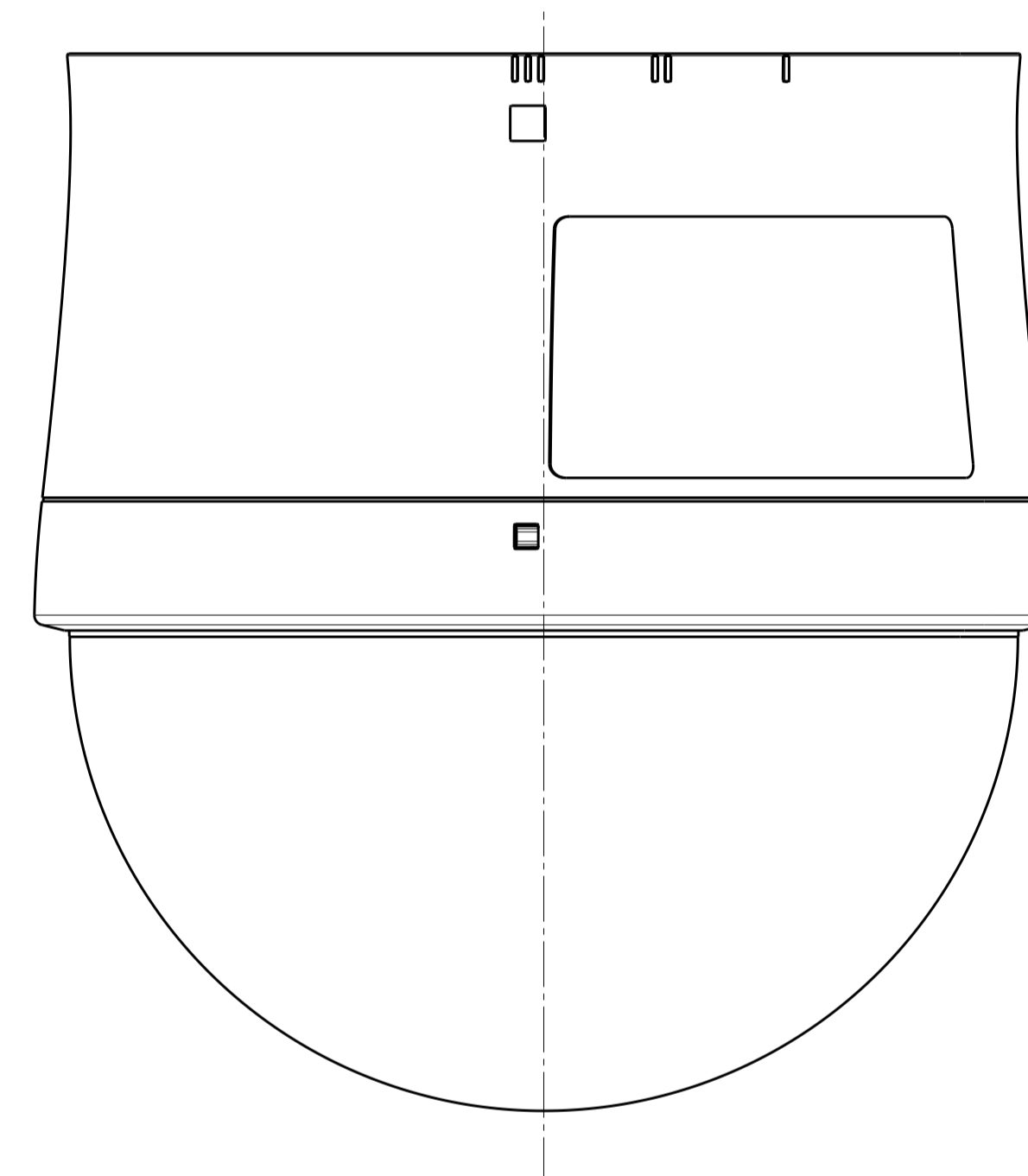
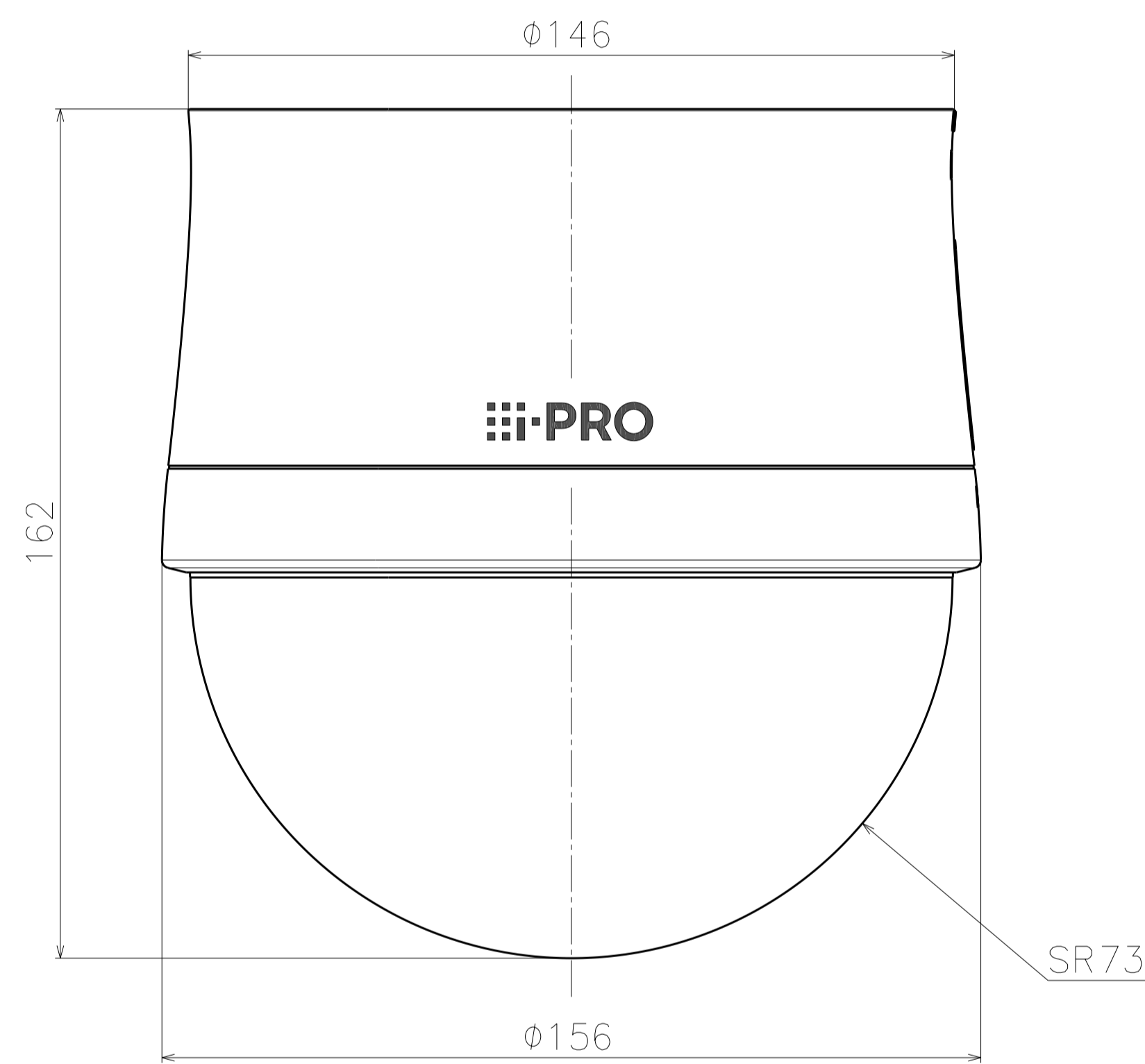
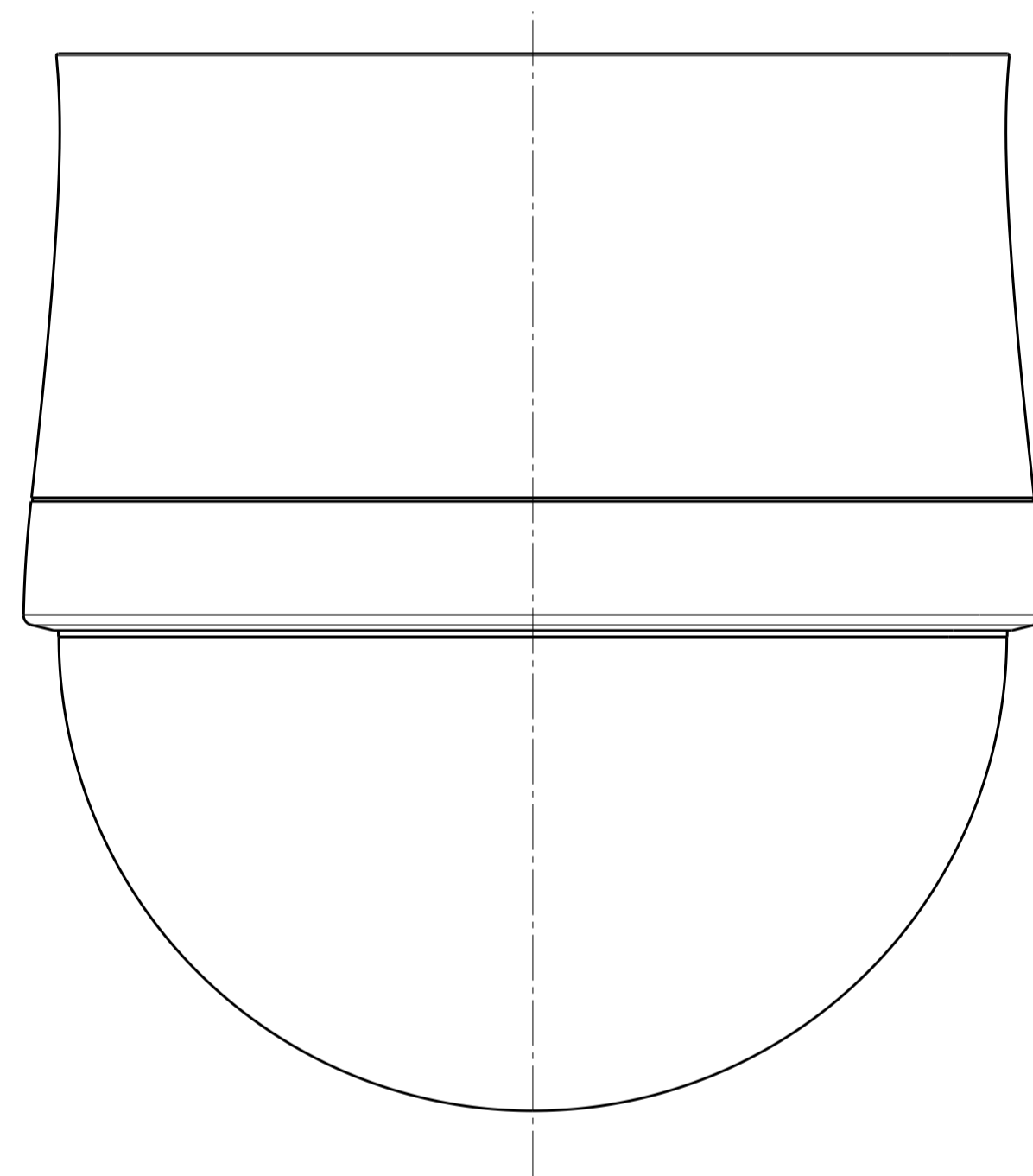


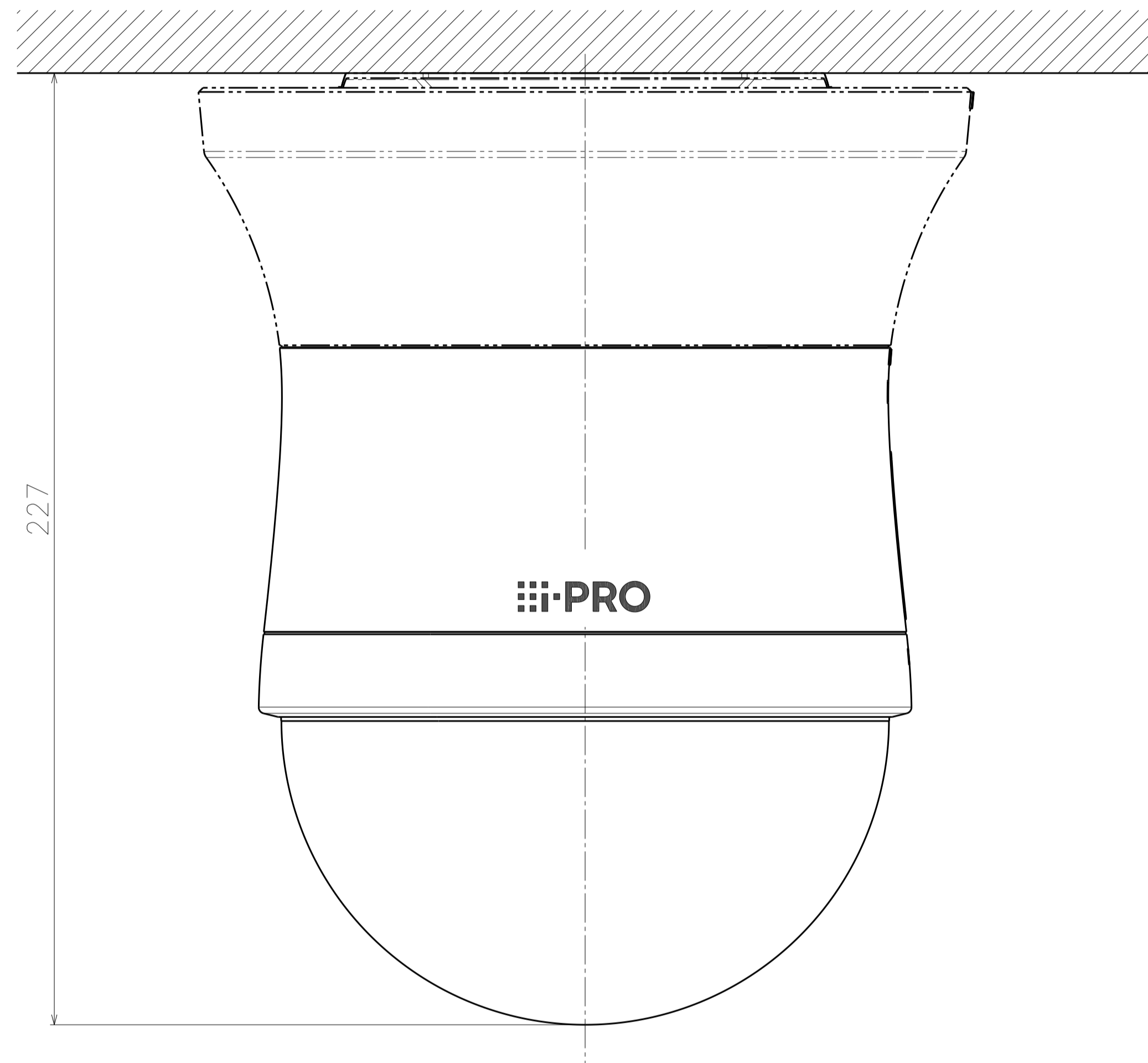
Sec A-A



Model number	Dome type
WV-QDC100G-W	Smoke dome (Transmittance : Approx. 50 %)
WV-QDC100C-W	Clear dome

Mass : Approx. 200 g {0.44 lbs}

カメラとの組み合わせ例
Example of combination with a camera



Attach to WV-S61302-Z4

Model number
WV-QDC100G-W
WV-QDC100C-W