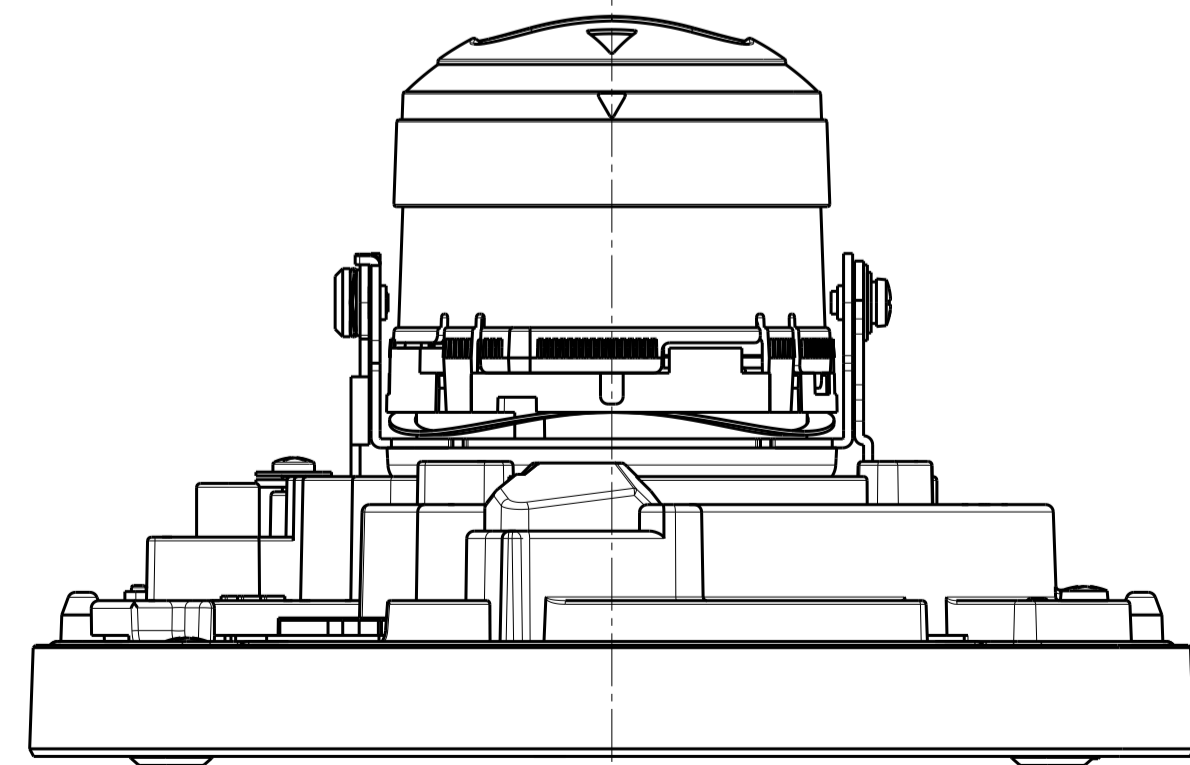
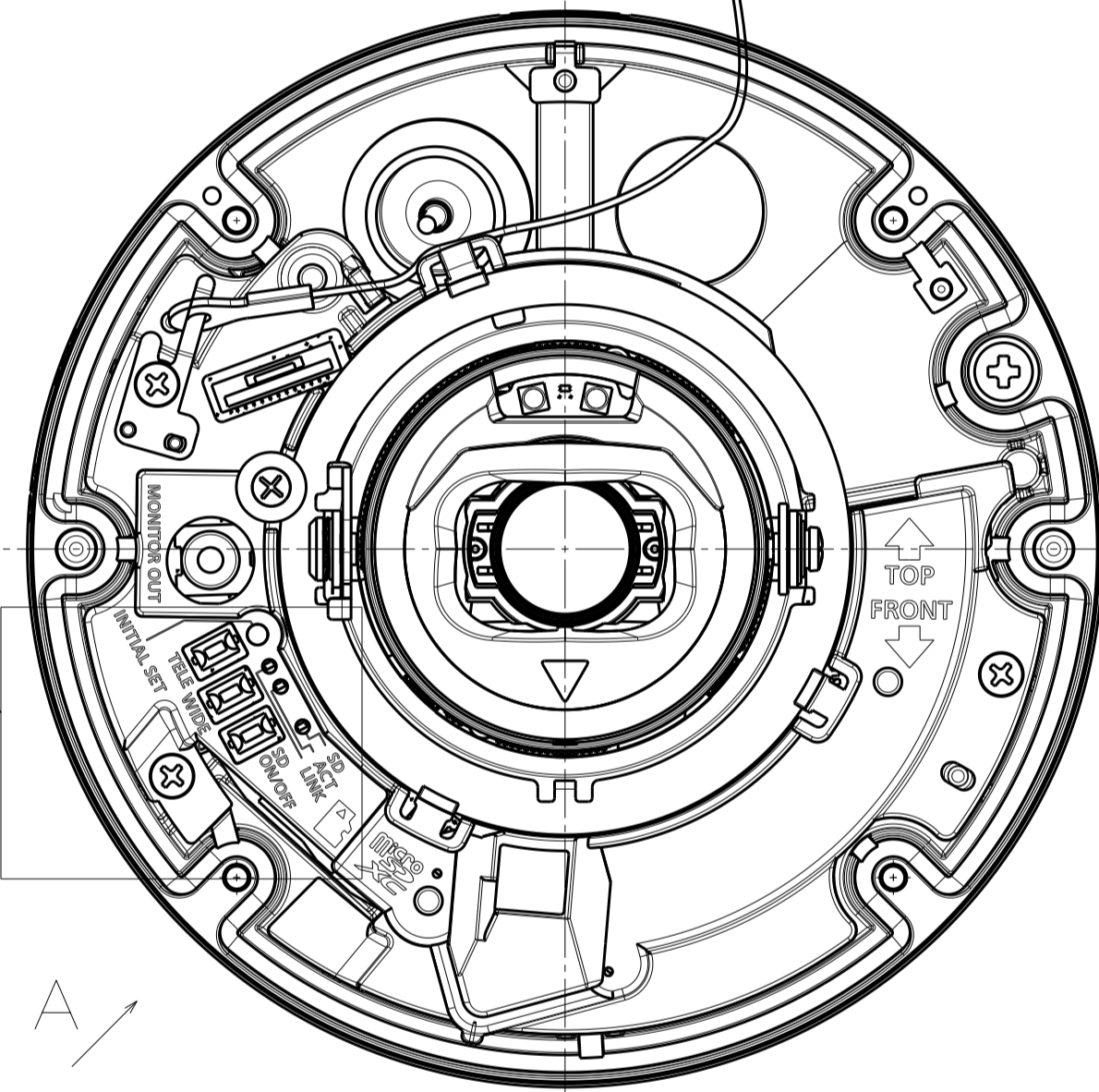
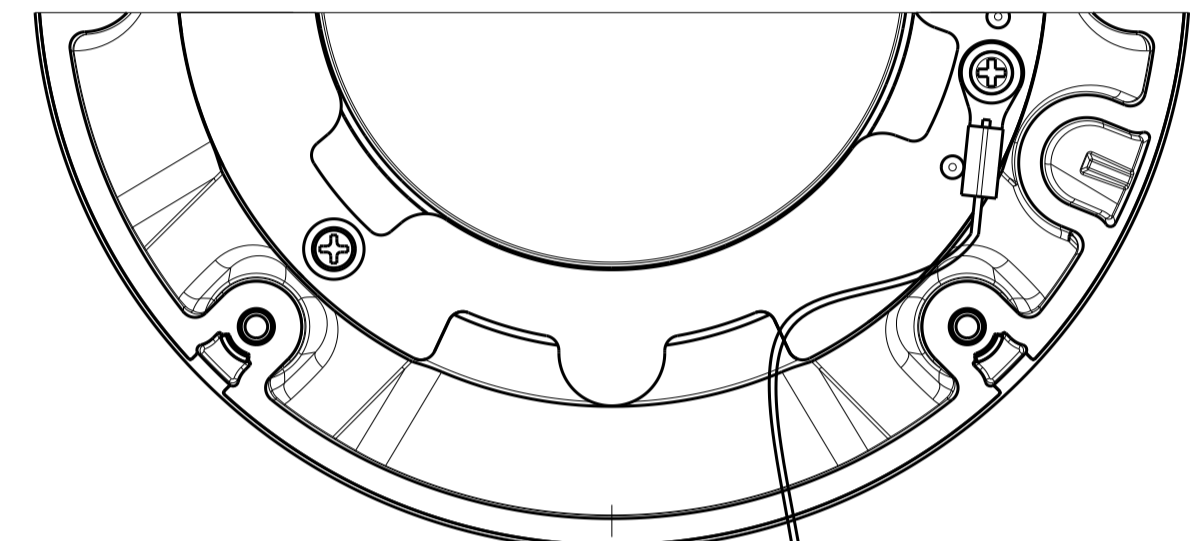
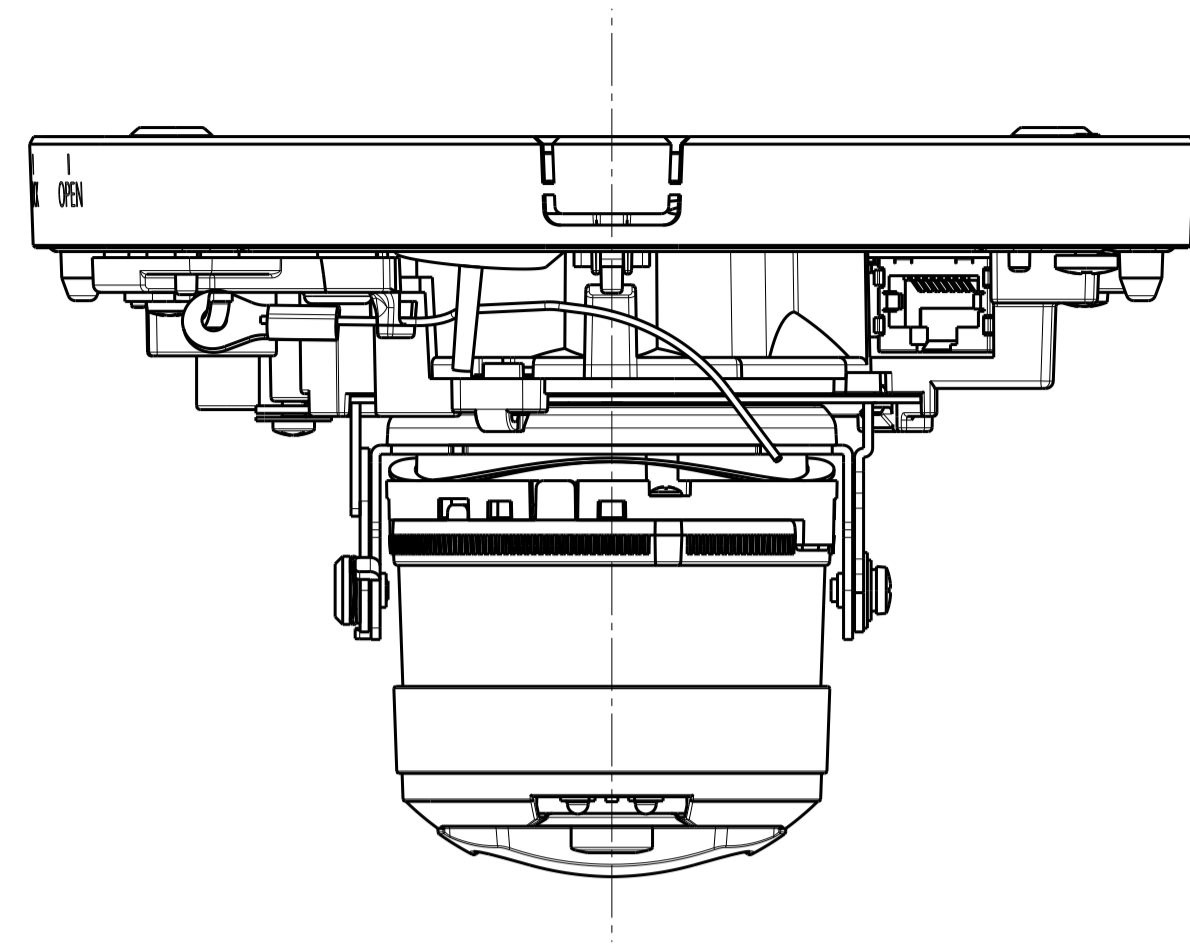


投影面積/Projected area
側面図/Side-view 0.011 (m ²)

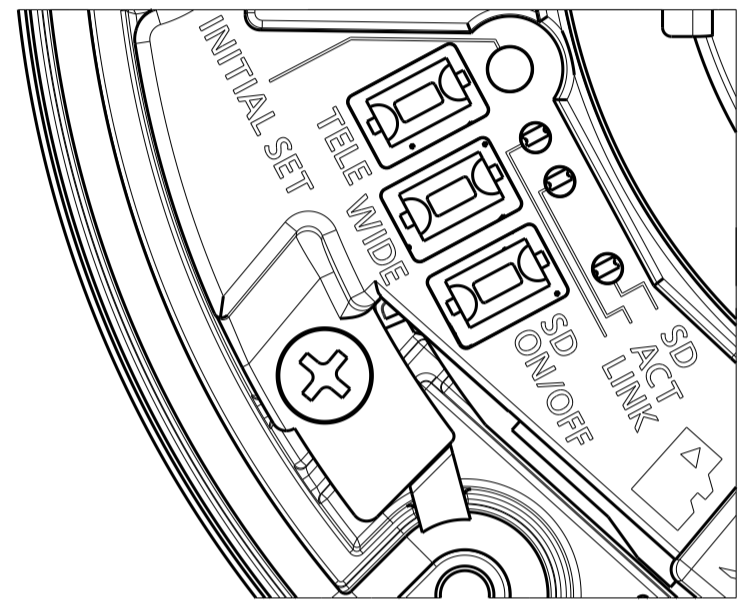
Weight : Approx. 1.05 kg {2.32 lbs} (When using the Attachment plate)

With Attachment plate

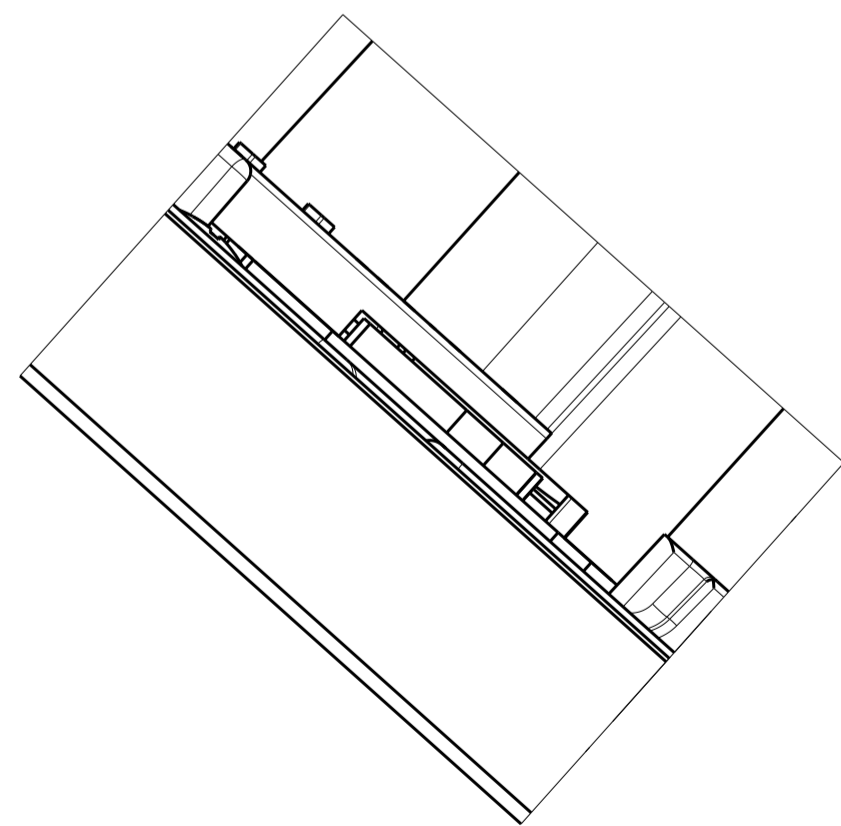
WV-S2536L



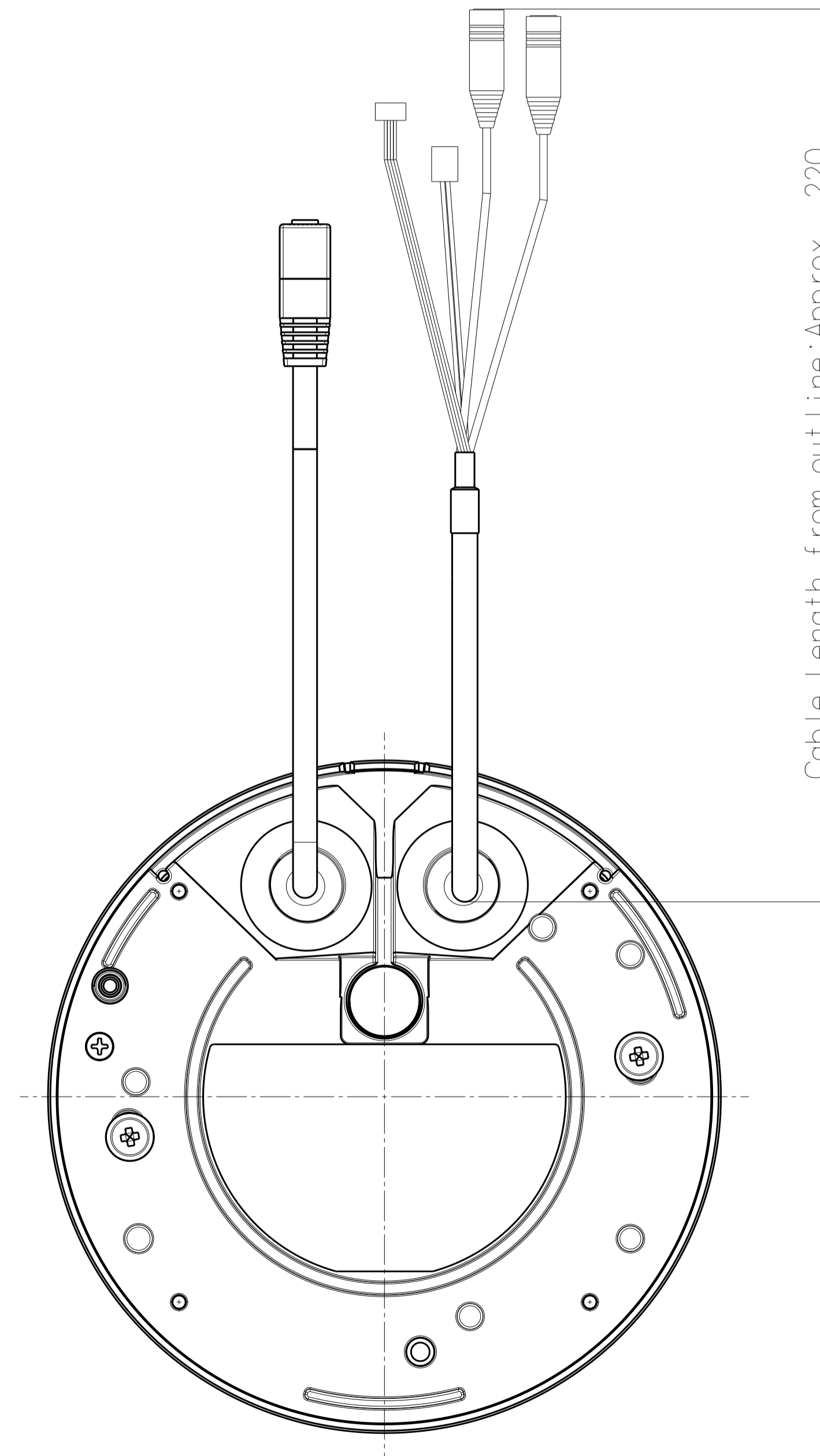
Without Enclosure



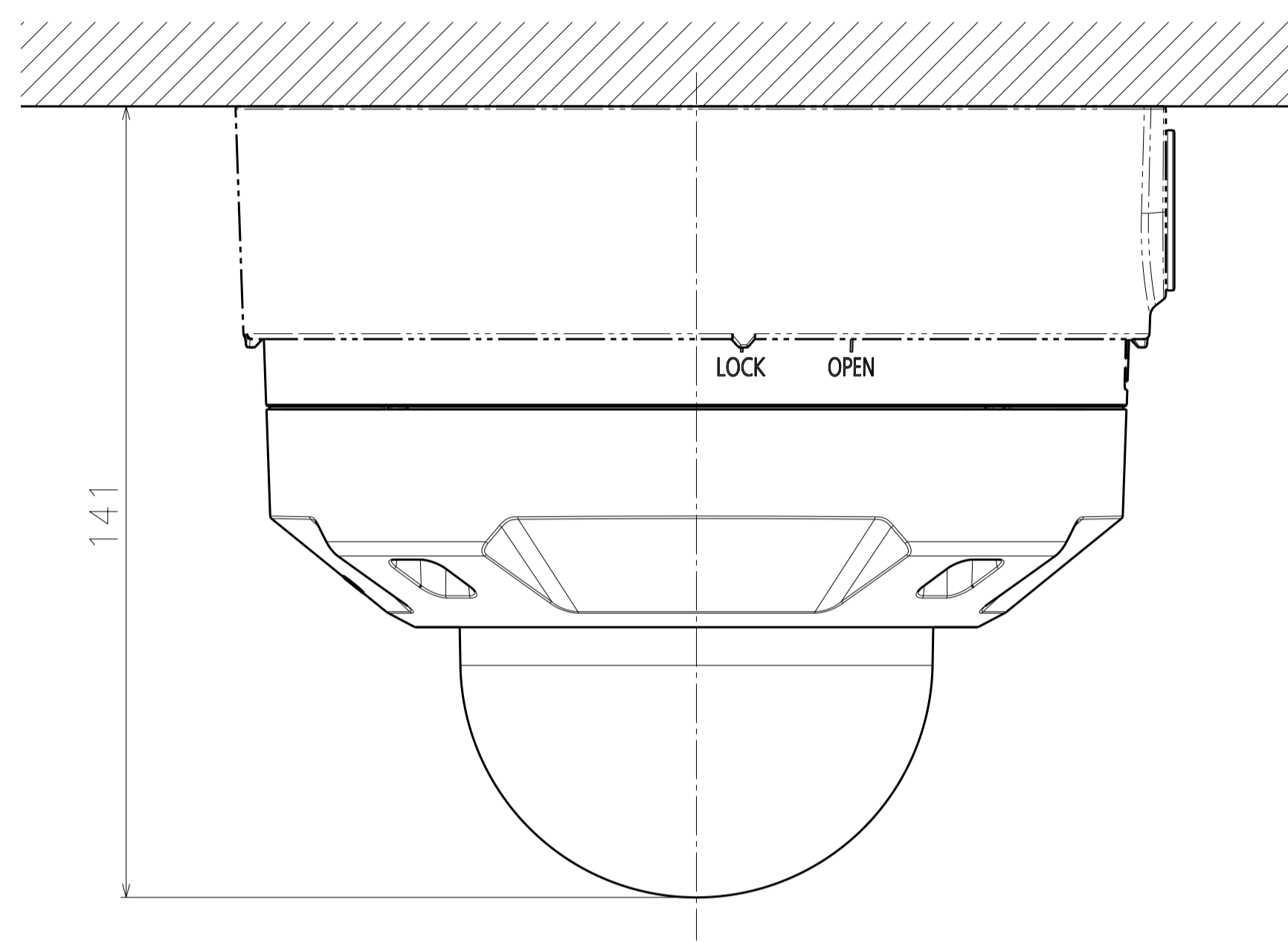
Detail B (2:1)



View A (2:1)

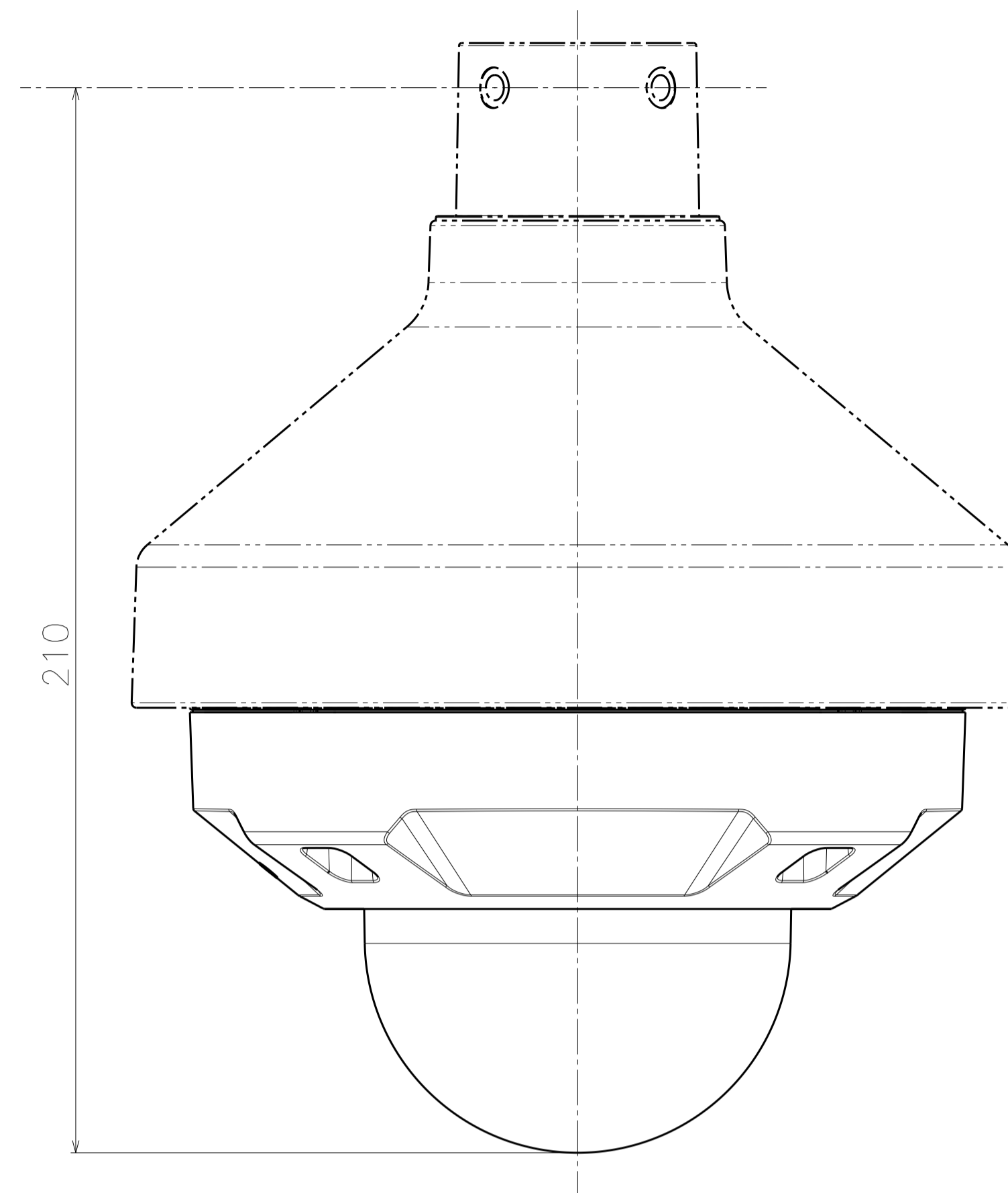


Cable Length from outline: Approx. 220



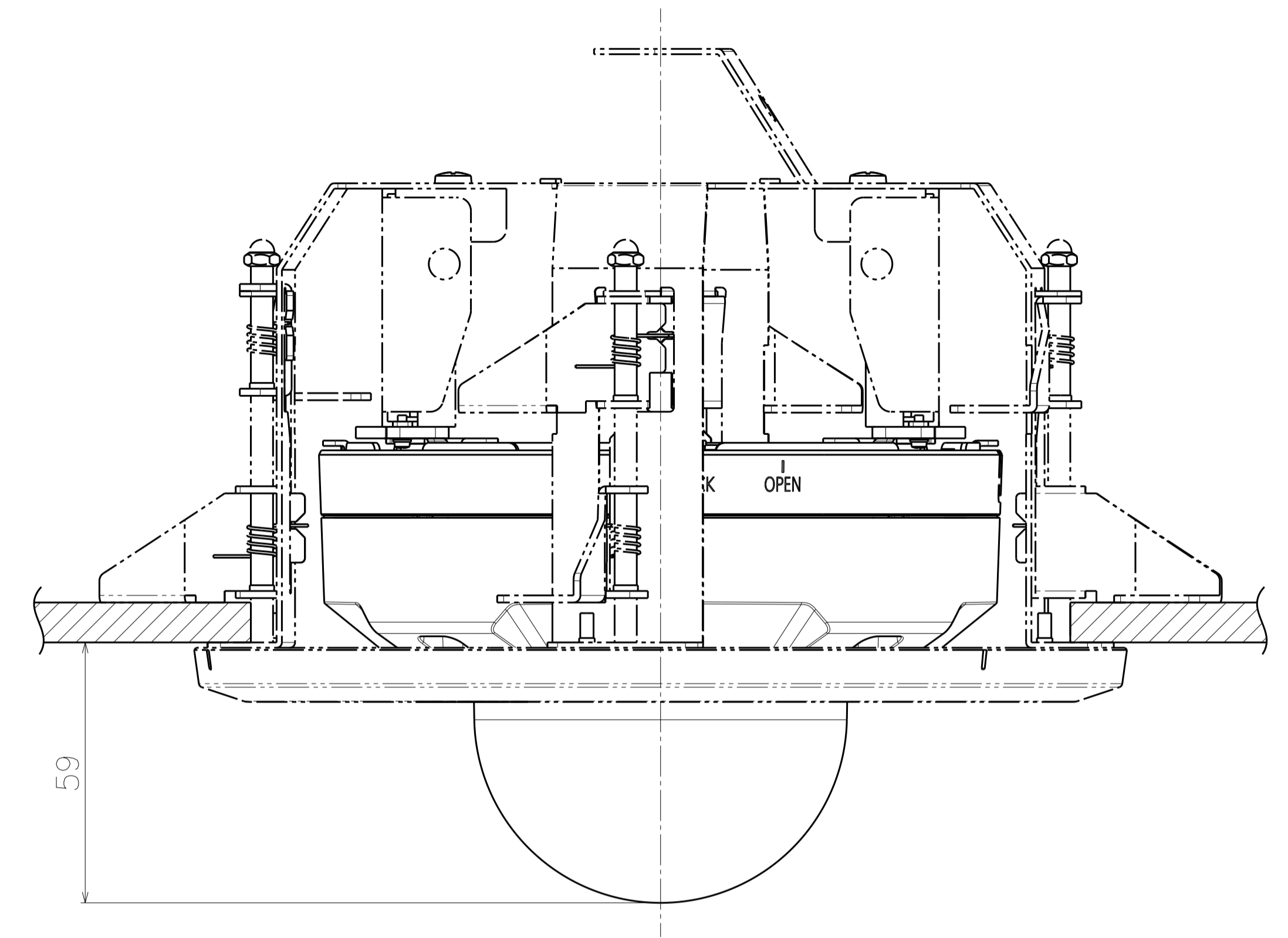
Attach to WV-QJB501-W

側面図/Side-view	投影面積/Projected area 0.017 (m2)
---------------	-----------------------------------

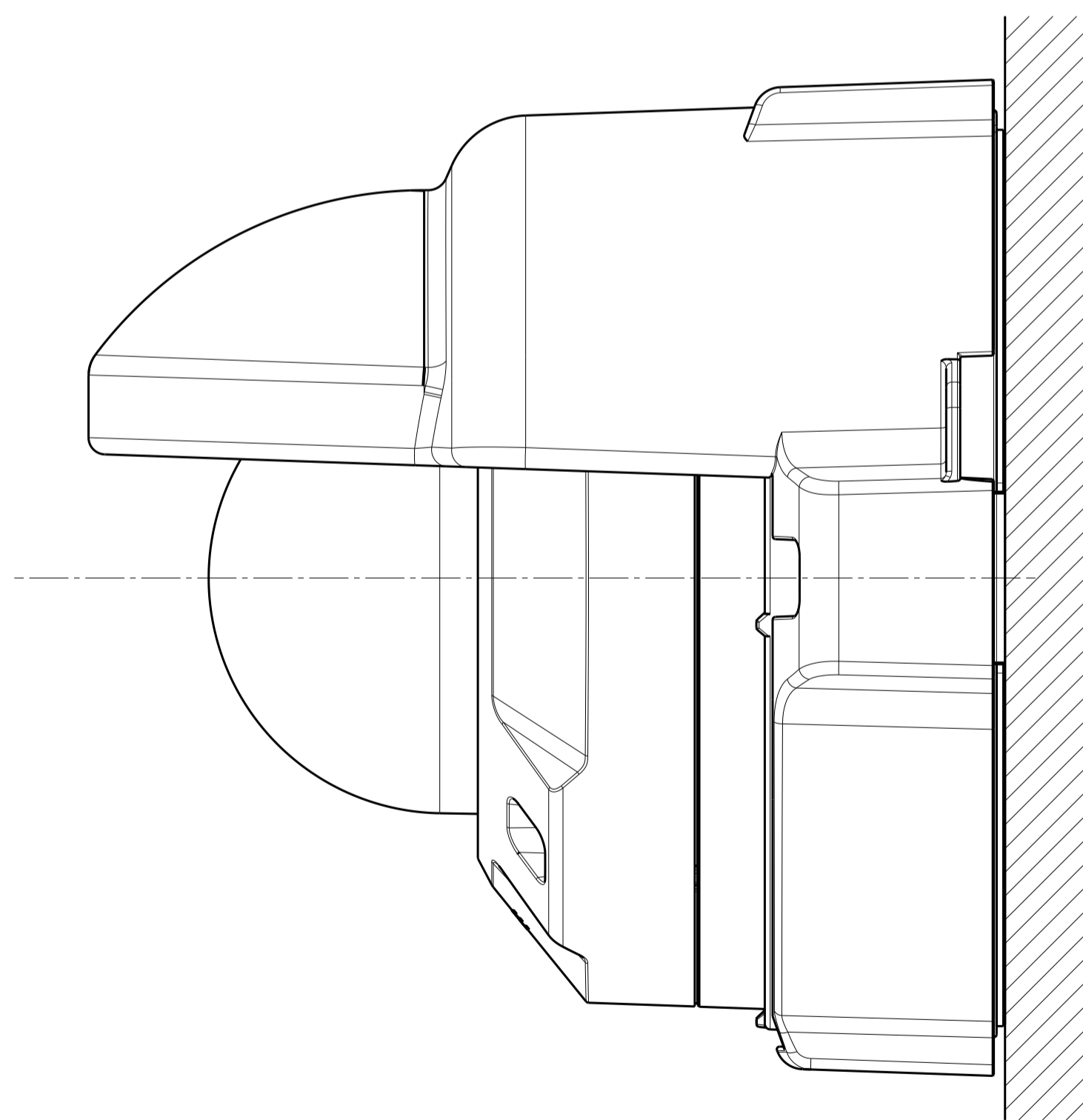


Attach to WV-QSR501-W

側面図/Side-view	投影面積/Projected area 0.021 (m2)
---------------	-----------------------------------

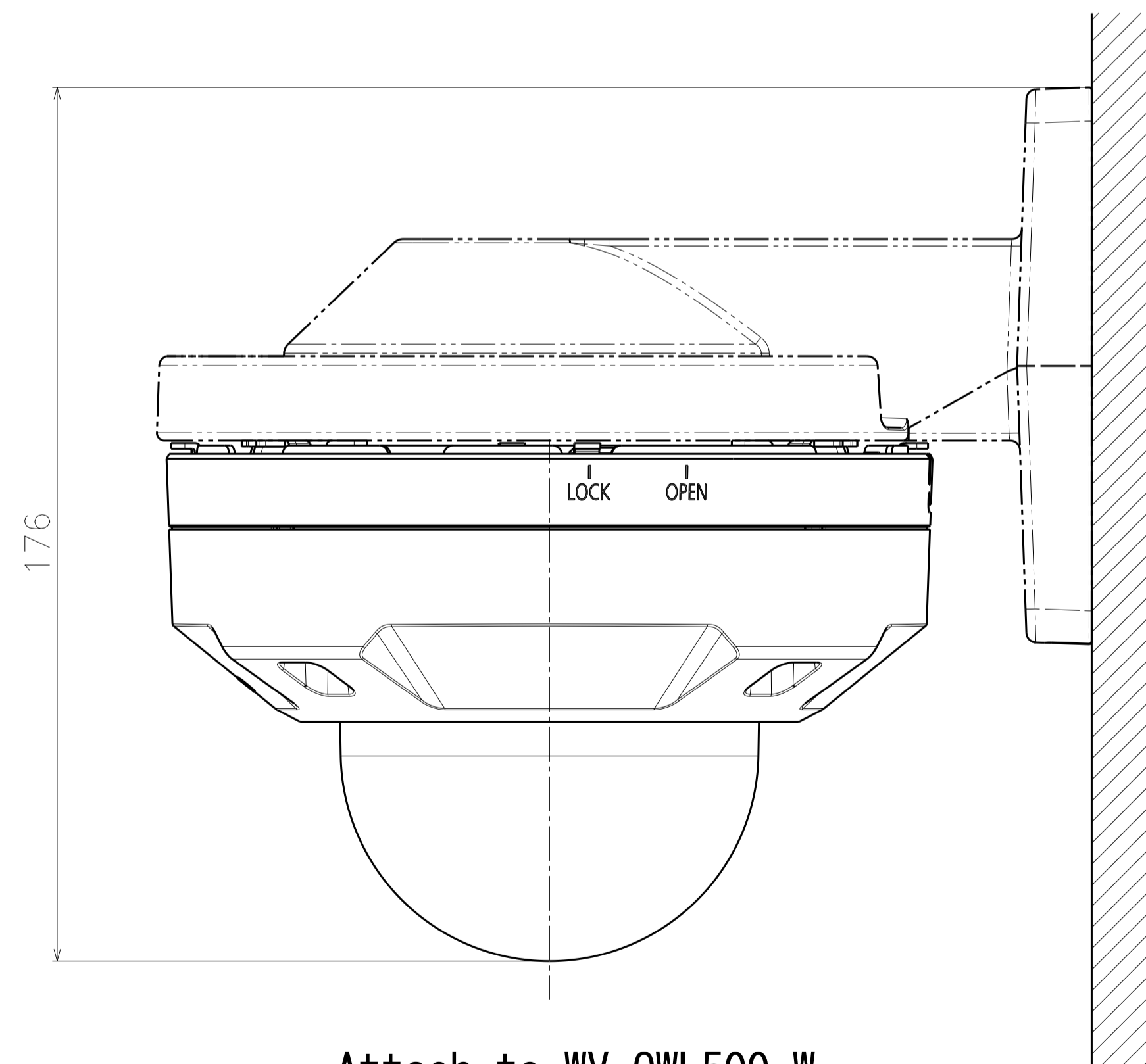


Attach to WV-QEM500-W



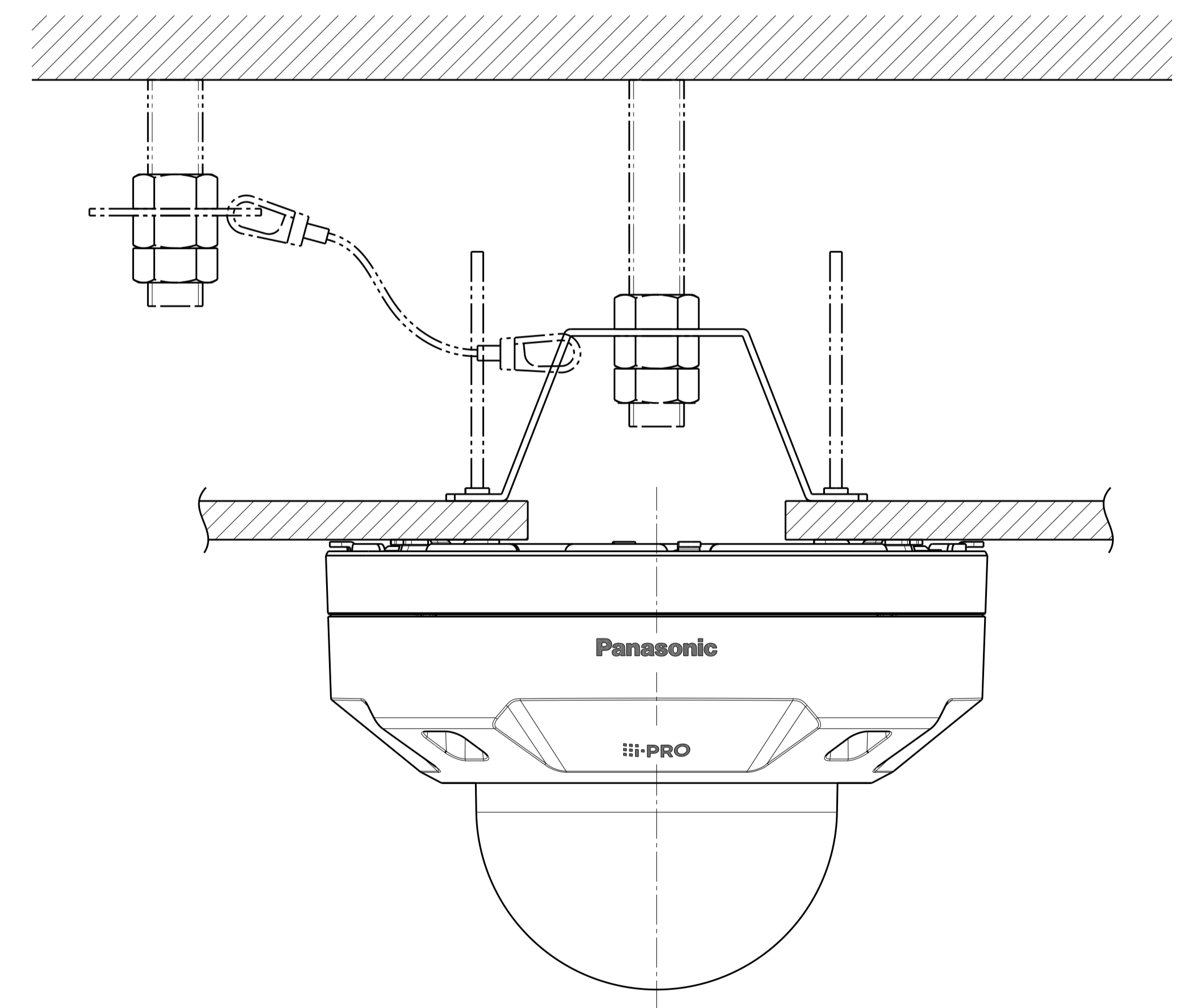
Attach to WV-QJB501-W & WV-QSR500-W

側面図/Side-view	投影面積/Projected area 0.021 (m2)
---------------	-----------------------------------



Attach to WV-QWL500-W

側面図/Side-view	投影面積/Projected area 0.019 (m2)
---------------	-----------------------------------



Attach to WV-Q105A