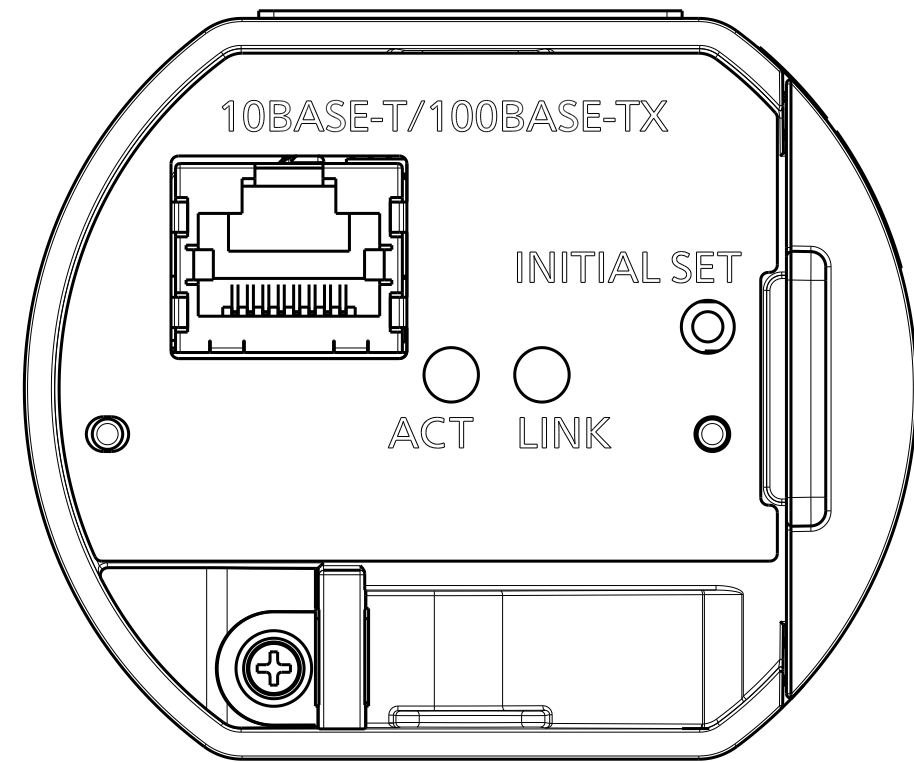
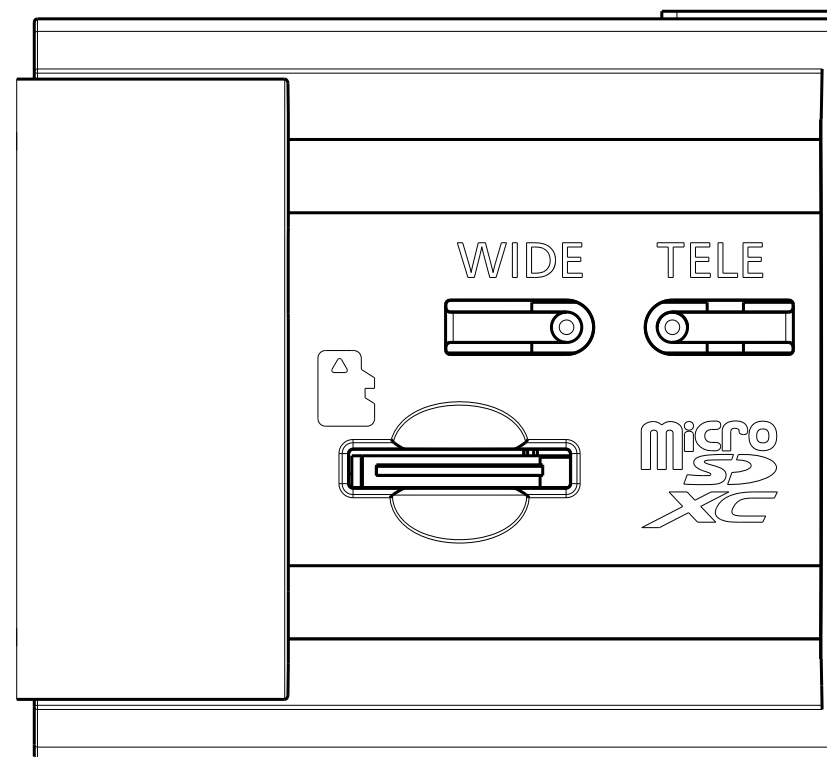


Mass : Approx. 200 g {0.44 lbs}

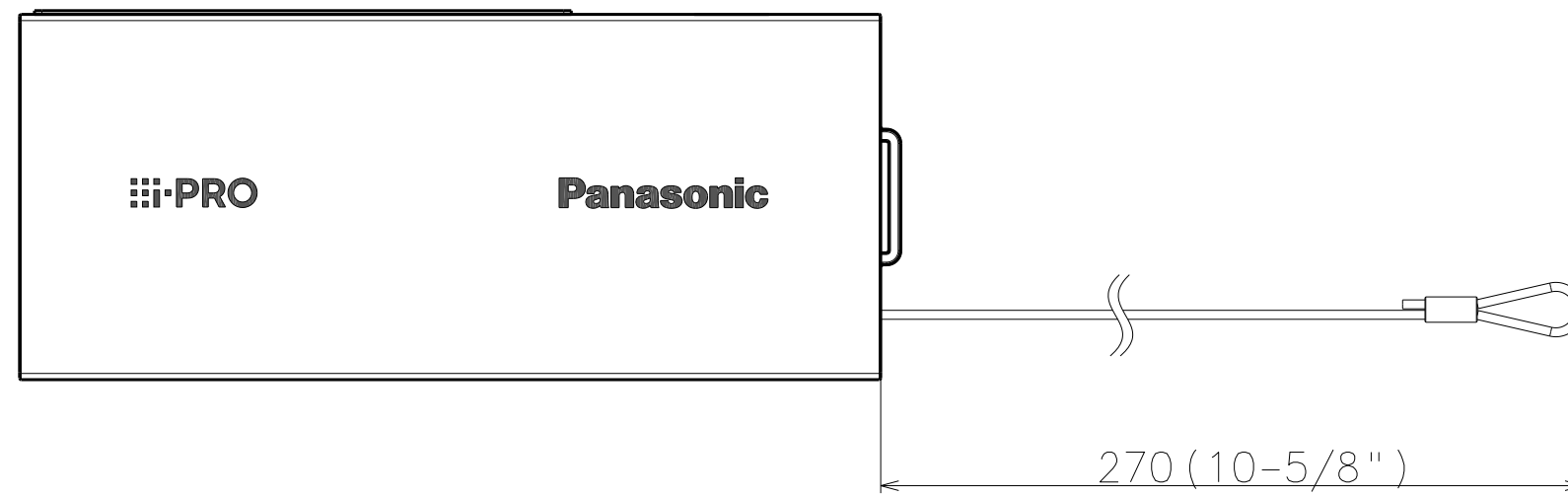
WV-U1142A



S=2:1



S=2:1



S=1:1