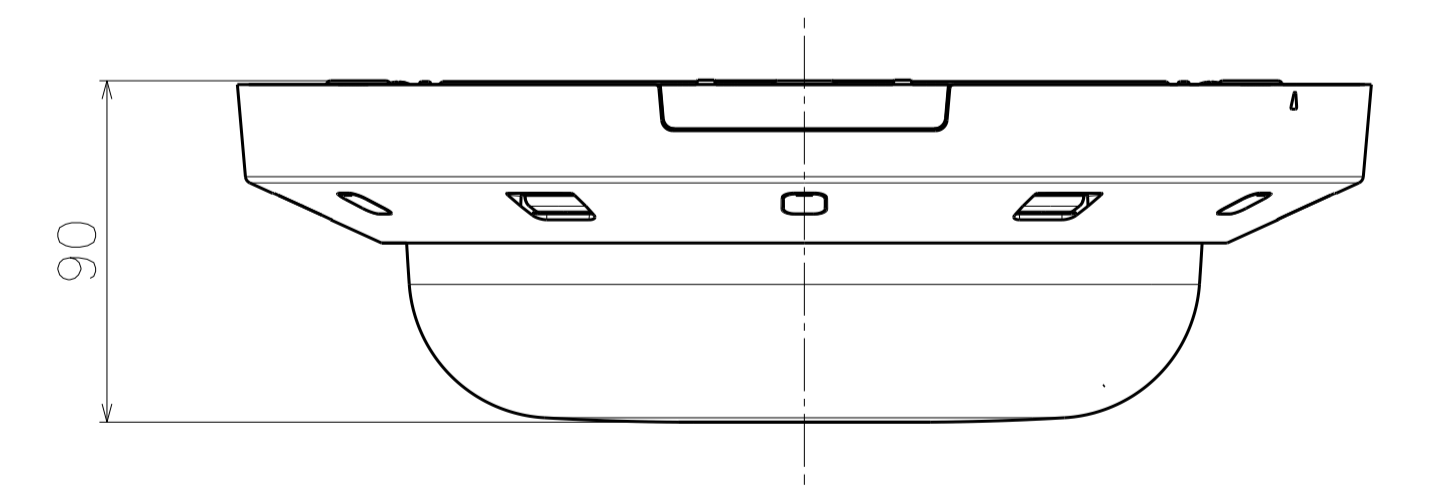
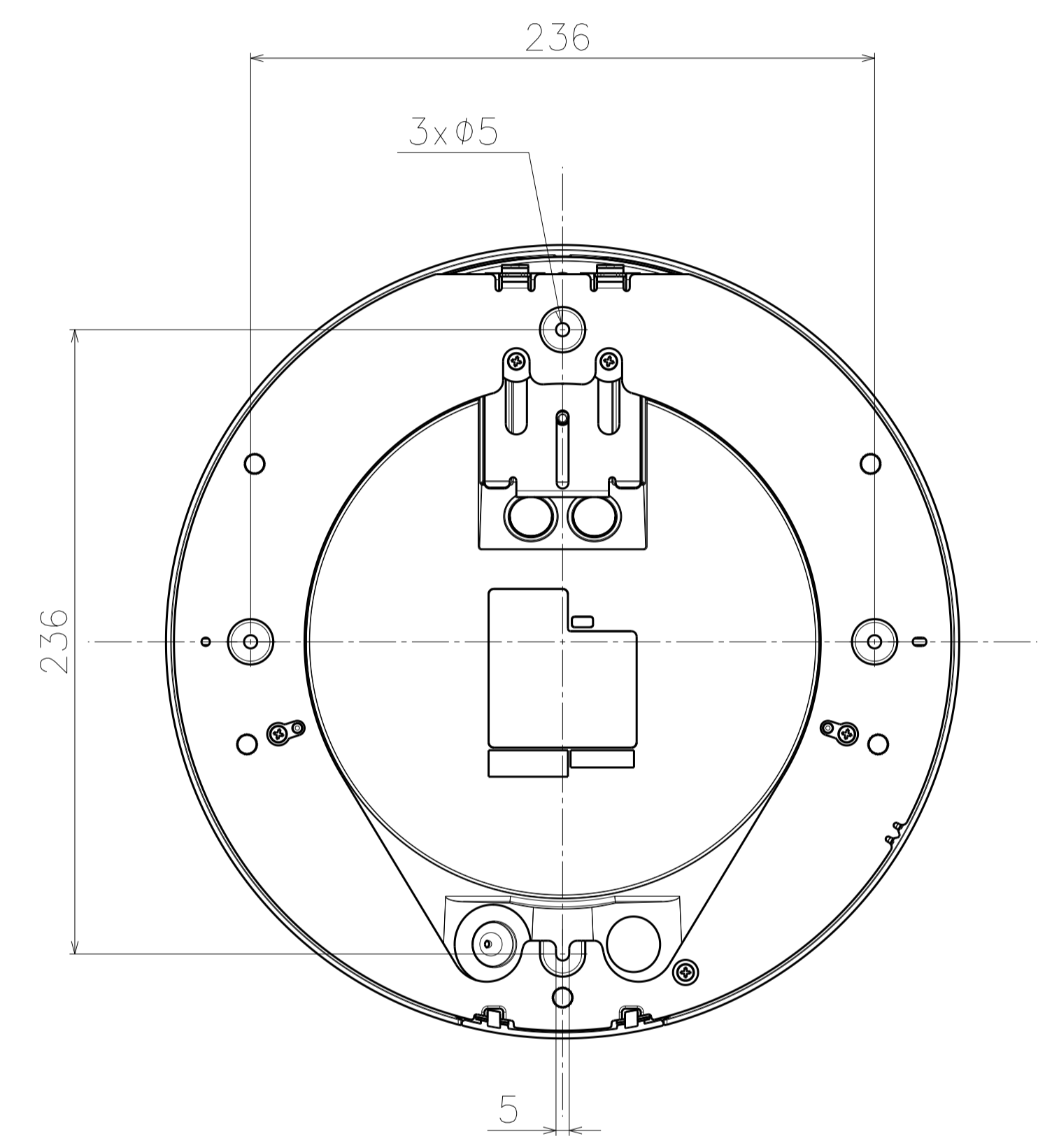
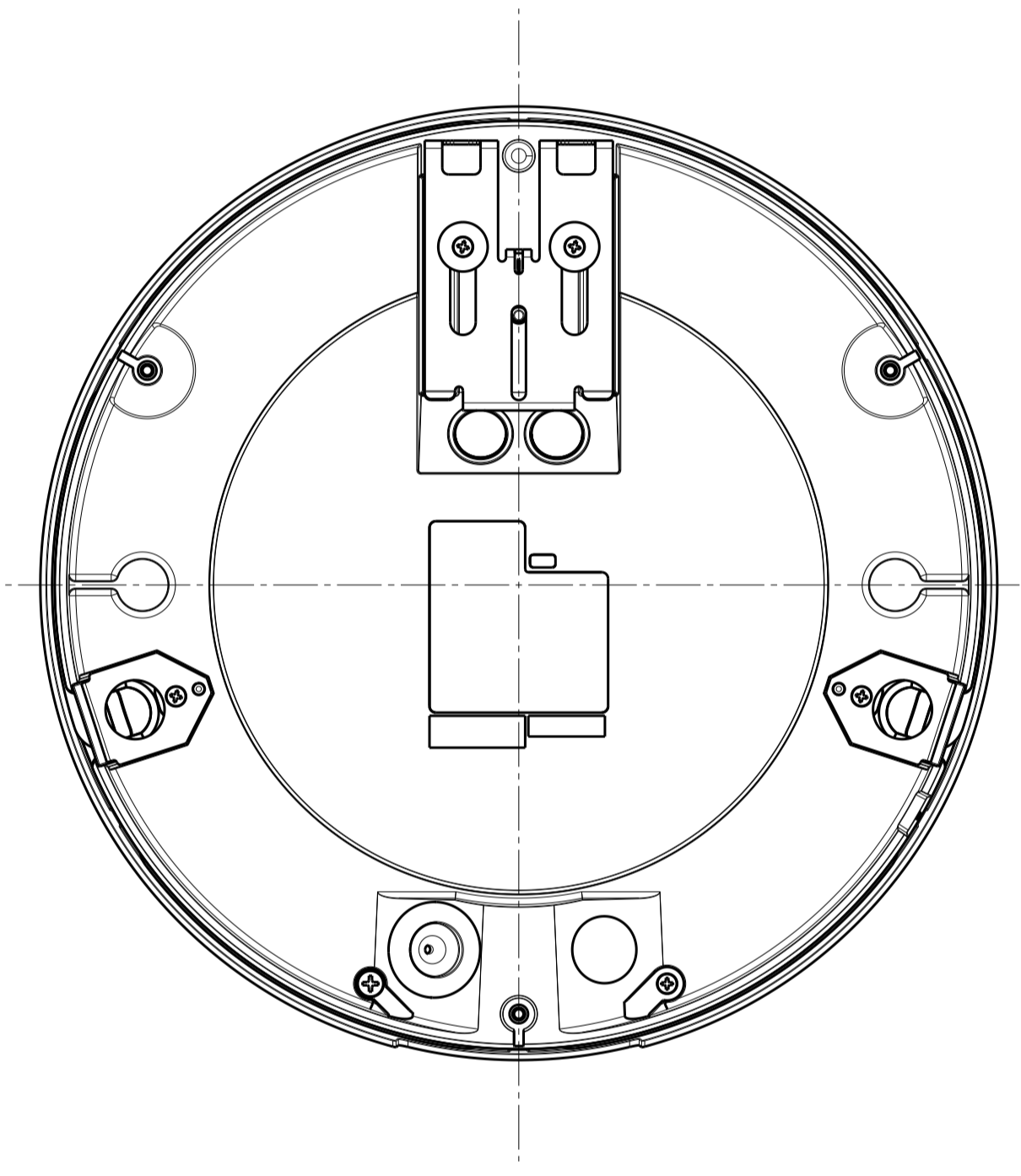
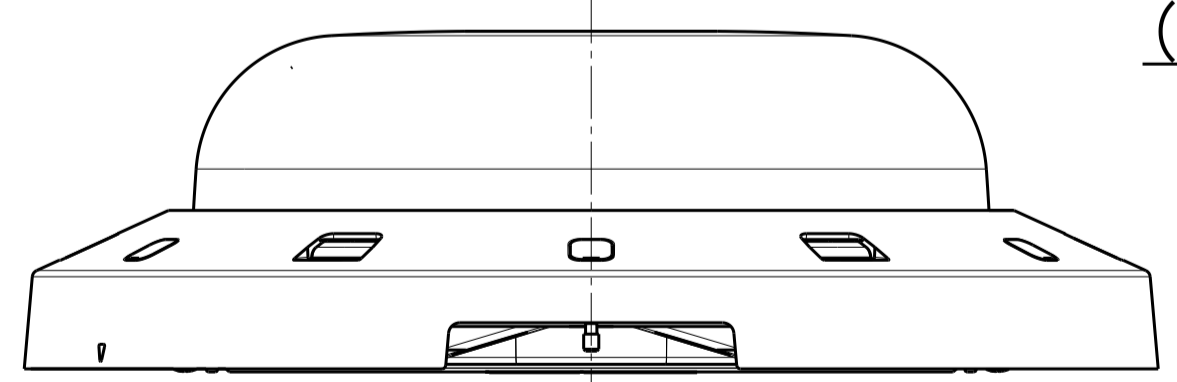


Inside of camera  
fixing screw cover  
(6 pieces)

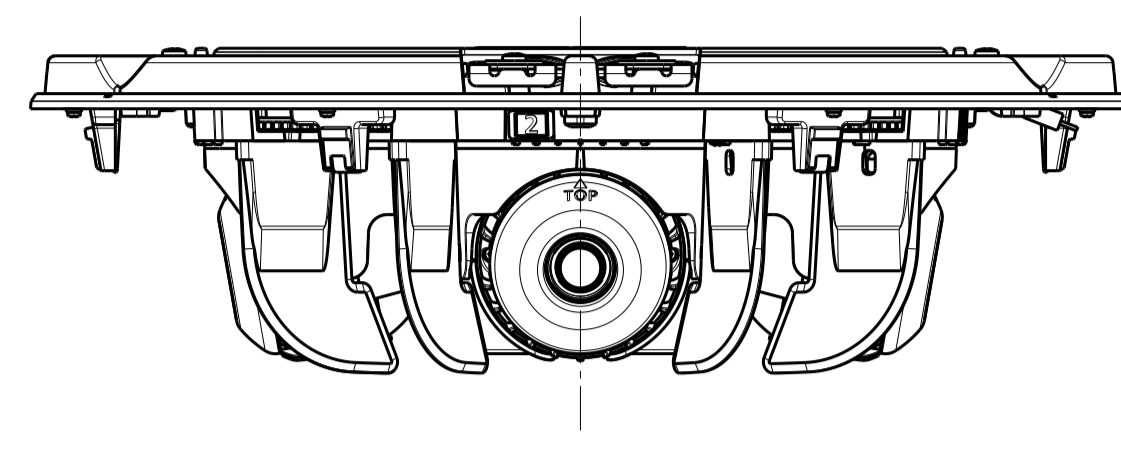
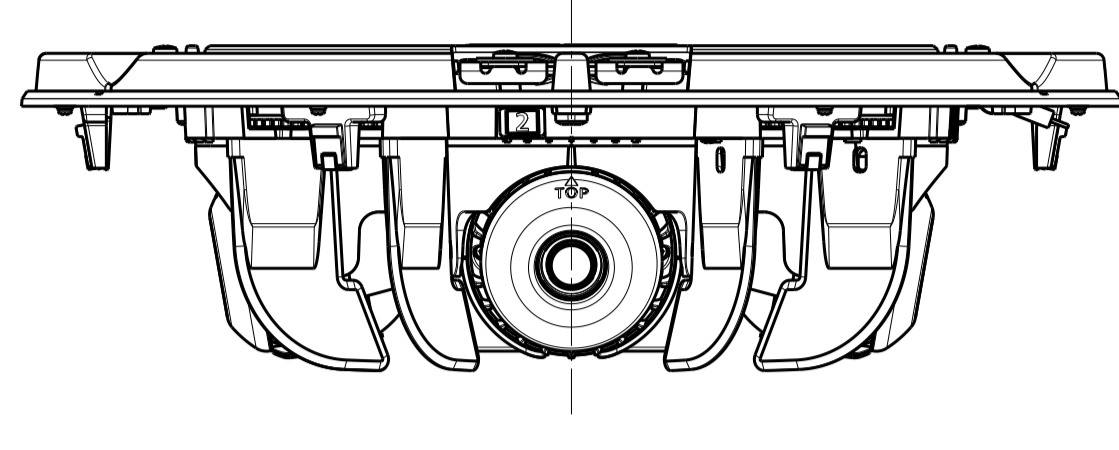
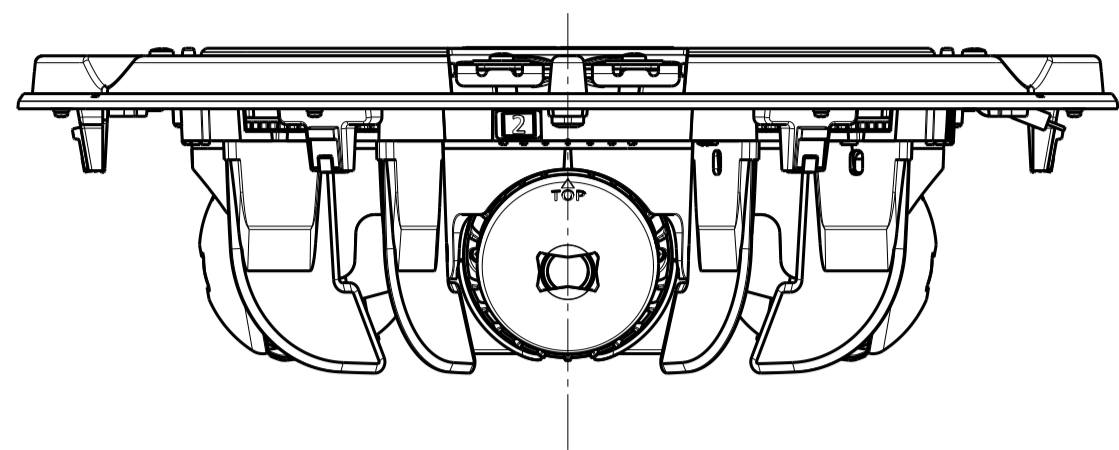


With Attachment Plate

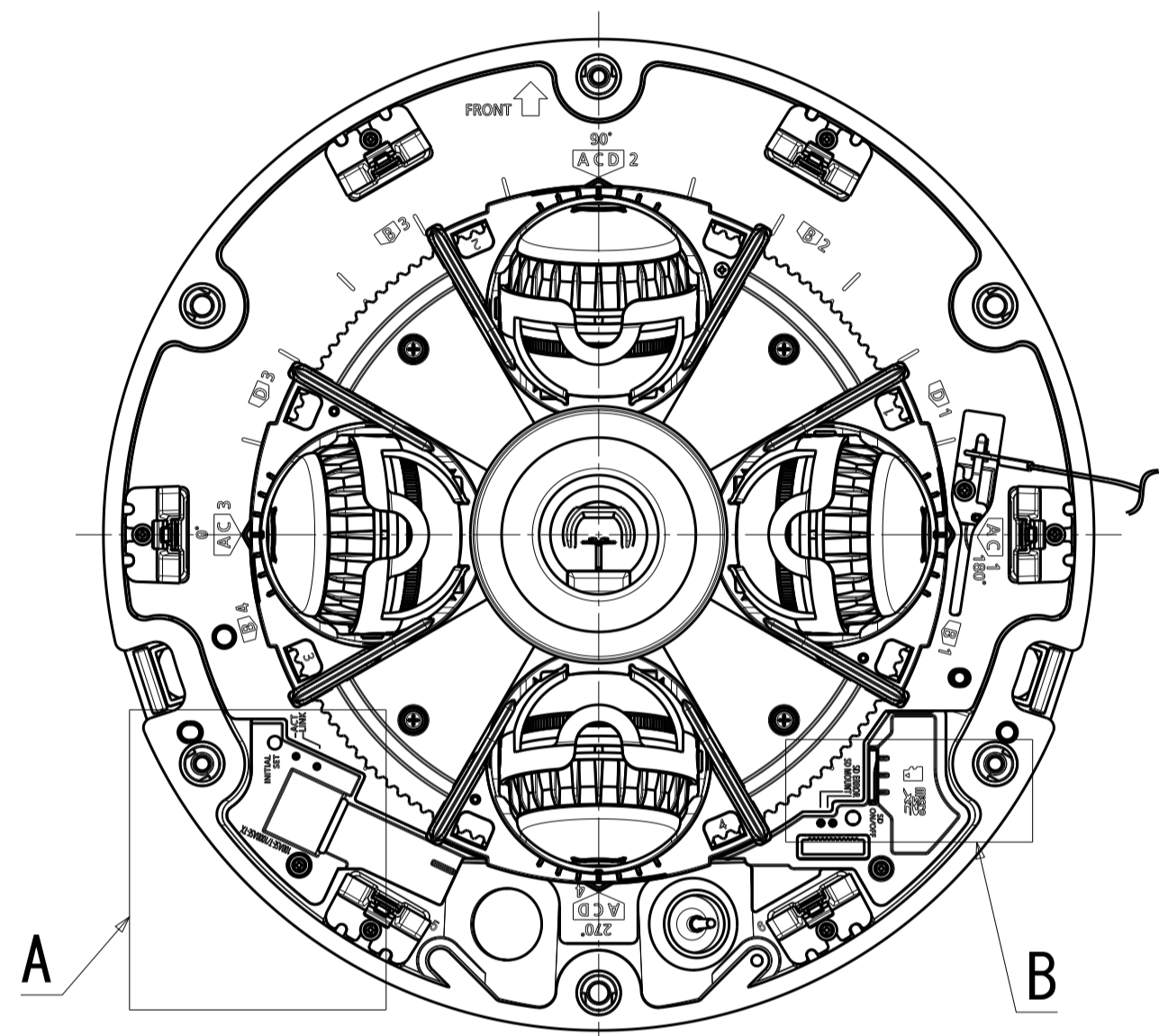
Model number	Dome type	ClearSight coating	Model number	label
WV-S8574L	Clear dome	No		No
WV-S8574LN	Clear dome	Yes		Yes
WV-S8574LG	Smoke dome	No		Yes
WV-S8564L	Clear dome	No		No
WV-S8564LN	Clear dome	Yes		Yes
WV-S8564LG	Smoke dome	No		Yes
WV-S8544L	Clear dome	No		No
WV-S8544LN	Clear dome	Yes		Yes
WV-S8544LG	Smoke dome	No		Yes
WV-S8544	Clear dome	No		No
WV-S8544N	Clear dome	Yes		Yes
WV-S8544G	Smoke dome	No		Yes

	投影面積/Projected area
側面図/Side-view	0.021 (m <sup>2</sup> )

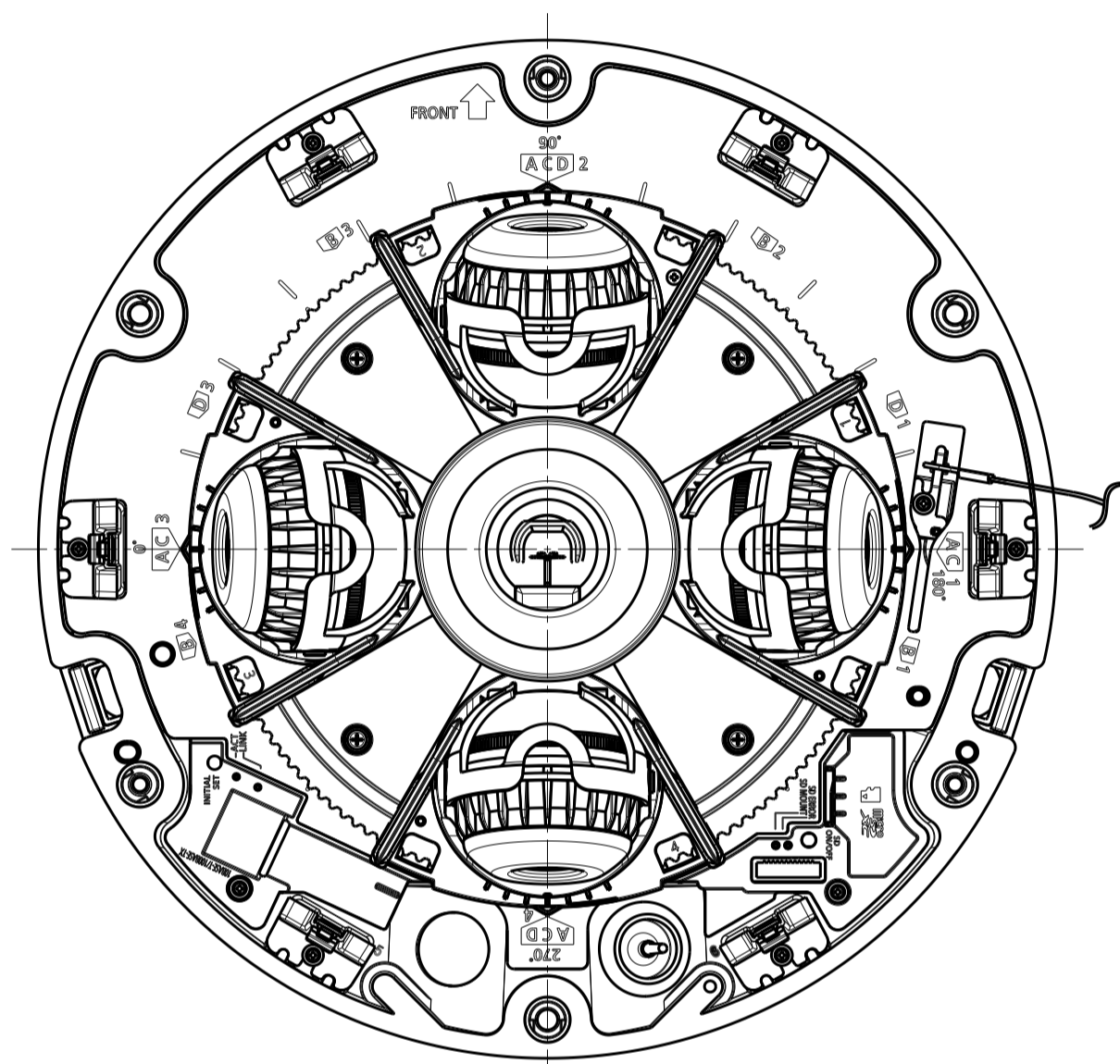
Mass : Approx. 3.3 kg {7.28 lbs} (When using the attachment plate)



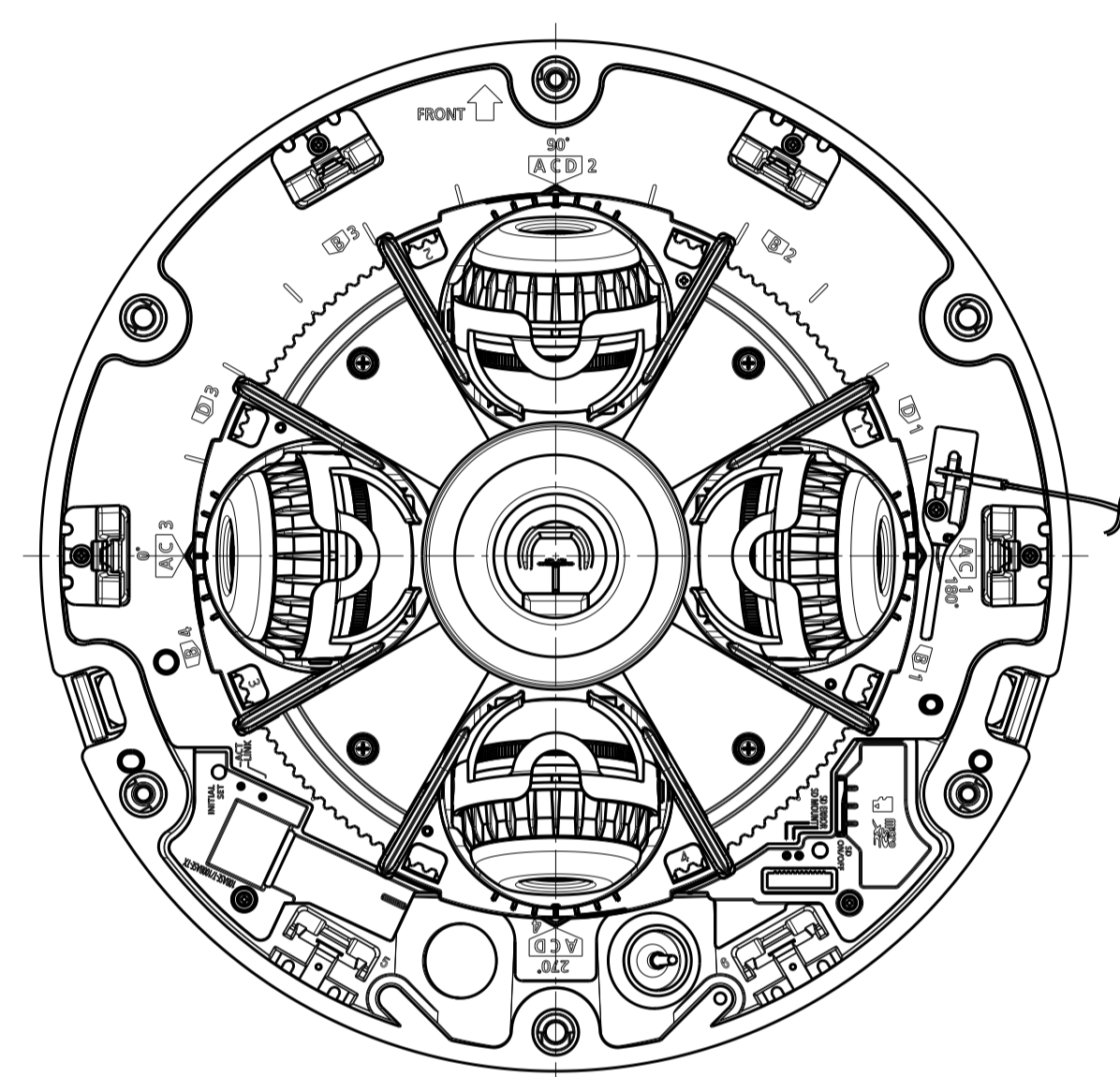
Removing Dome cover



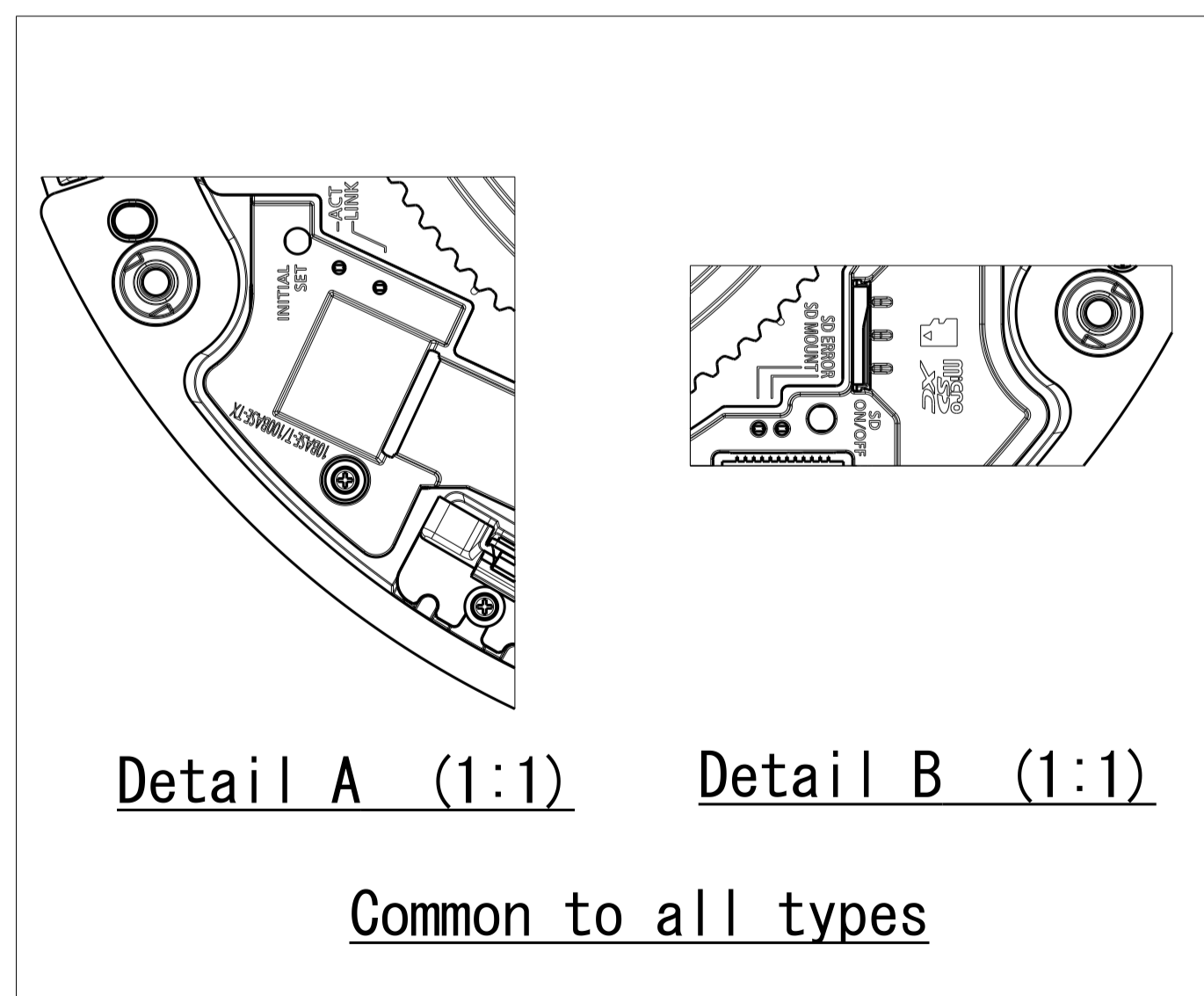
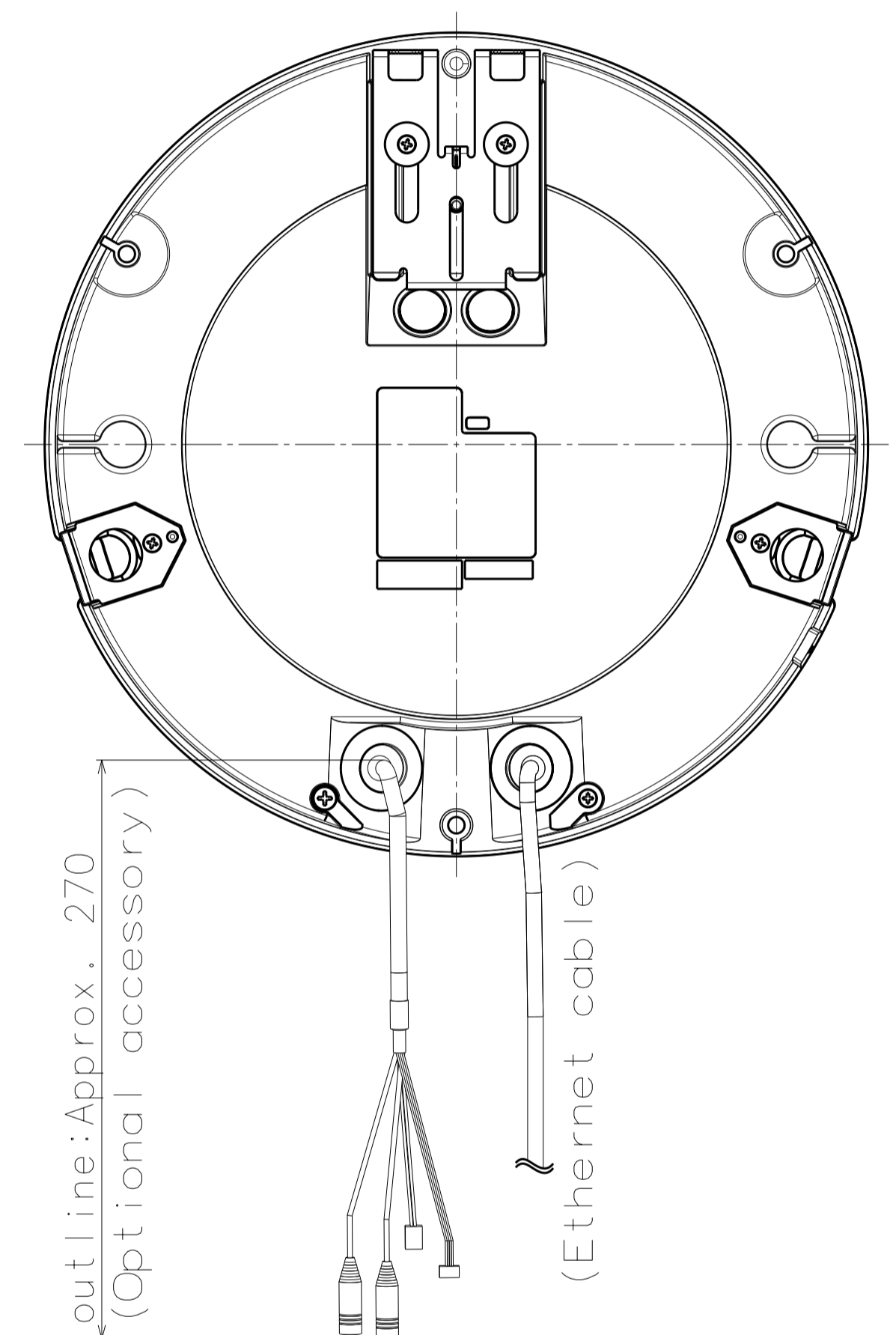
Lens type : 4K, 6MP



Lens type : 4MP



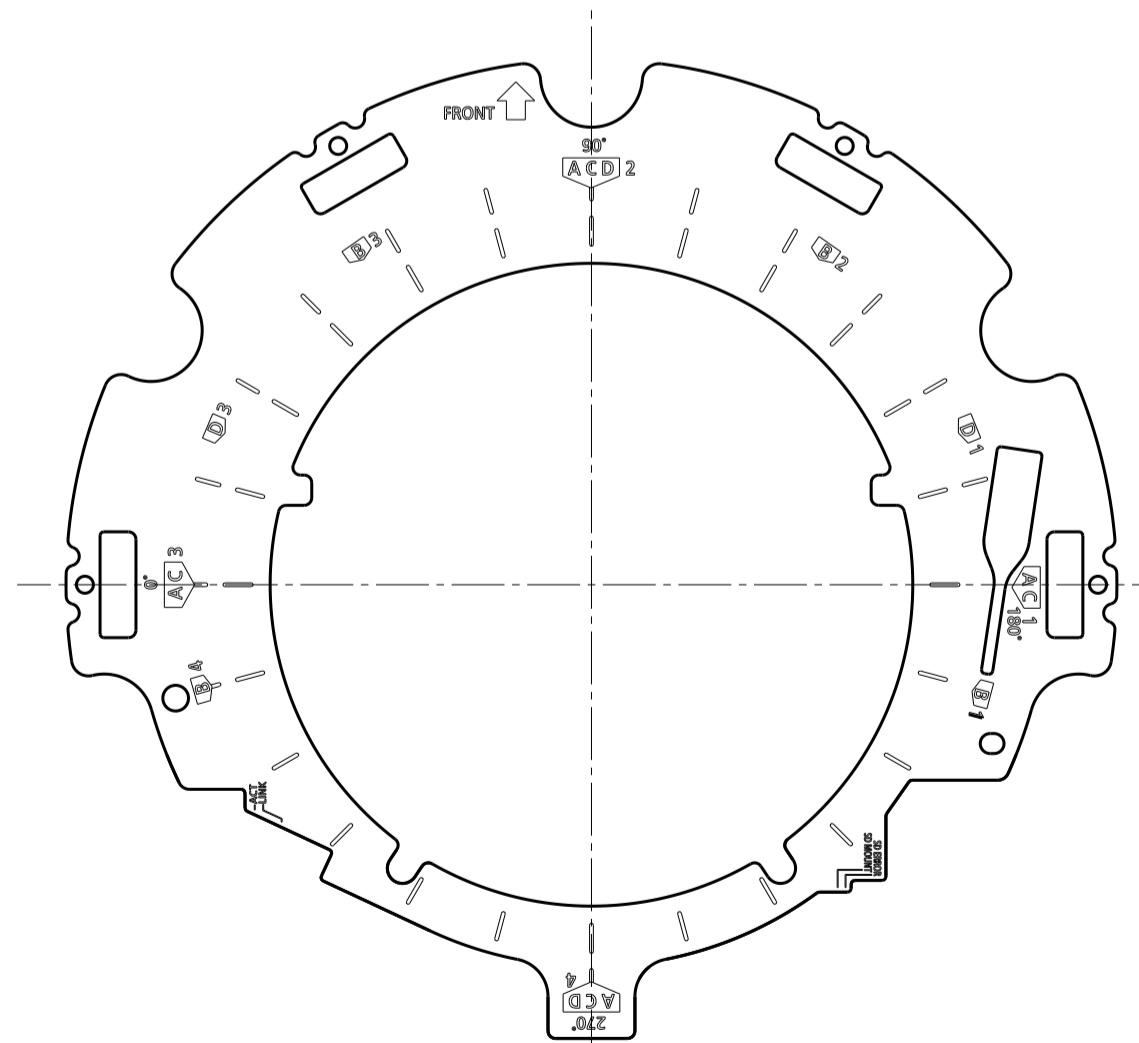
Lens type : 4MP (No IR-LED)



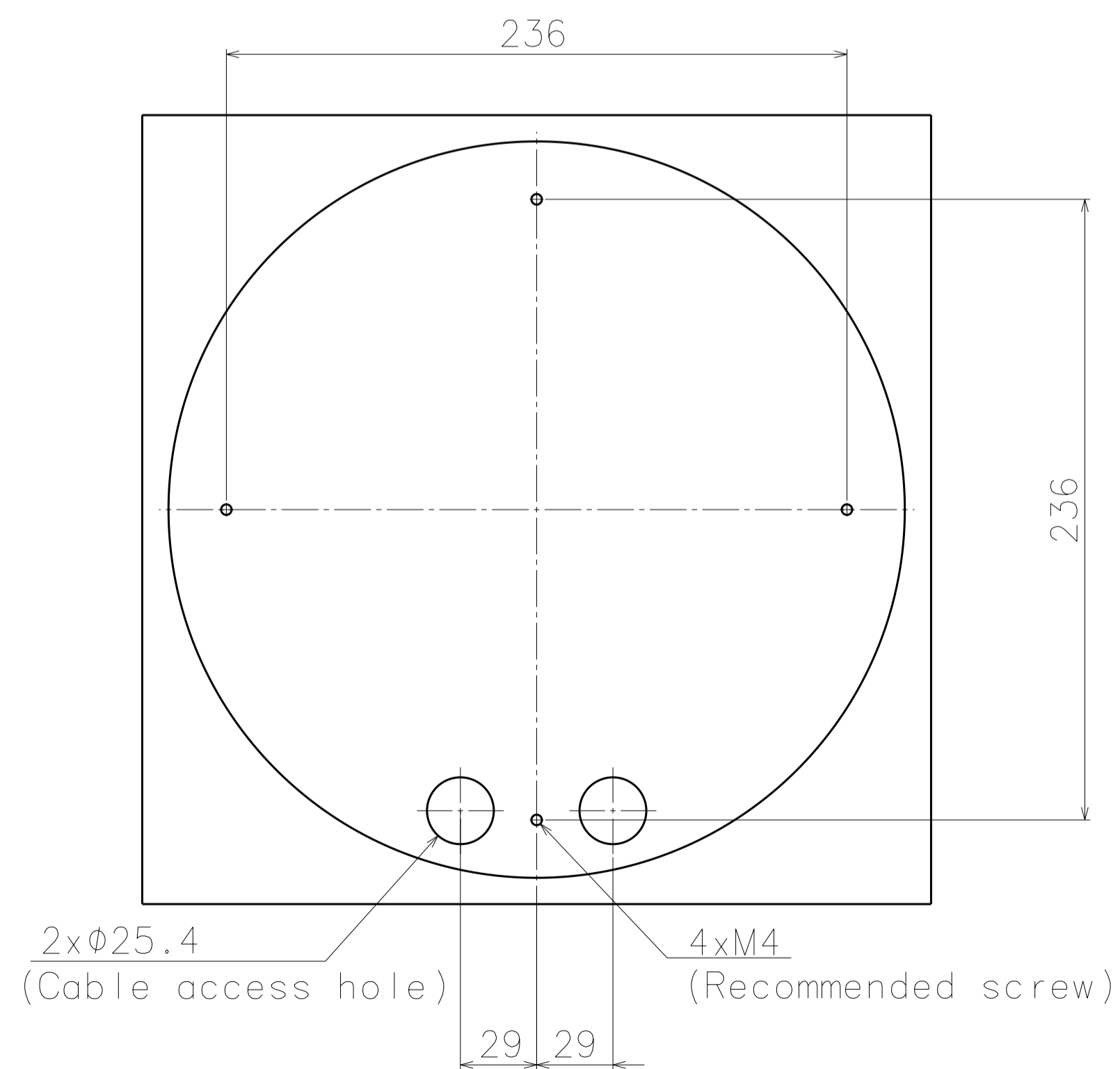
Detail A (1:1)

Detail B (1:1)

Common to all types

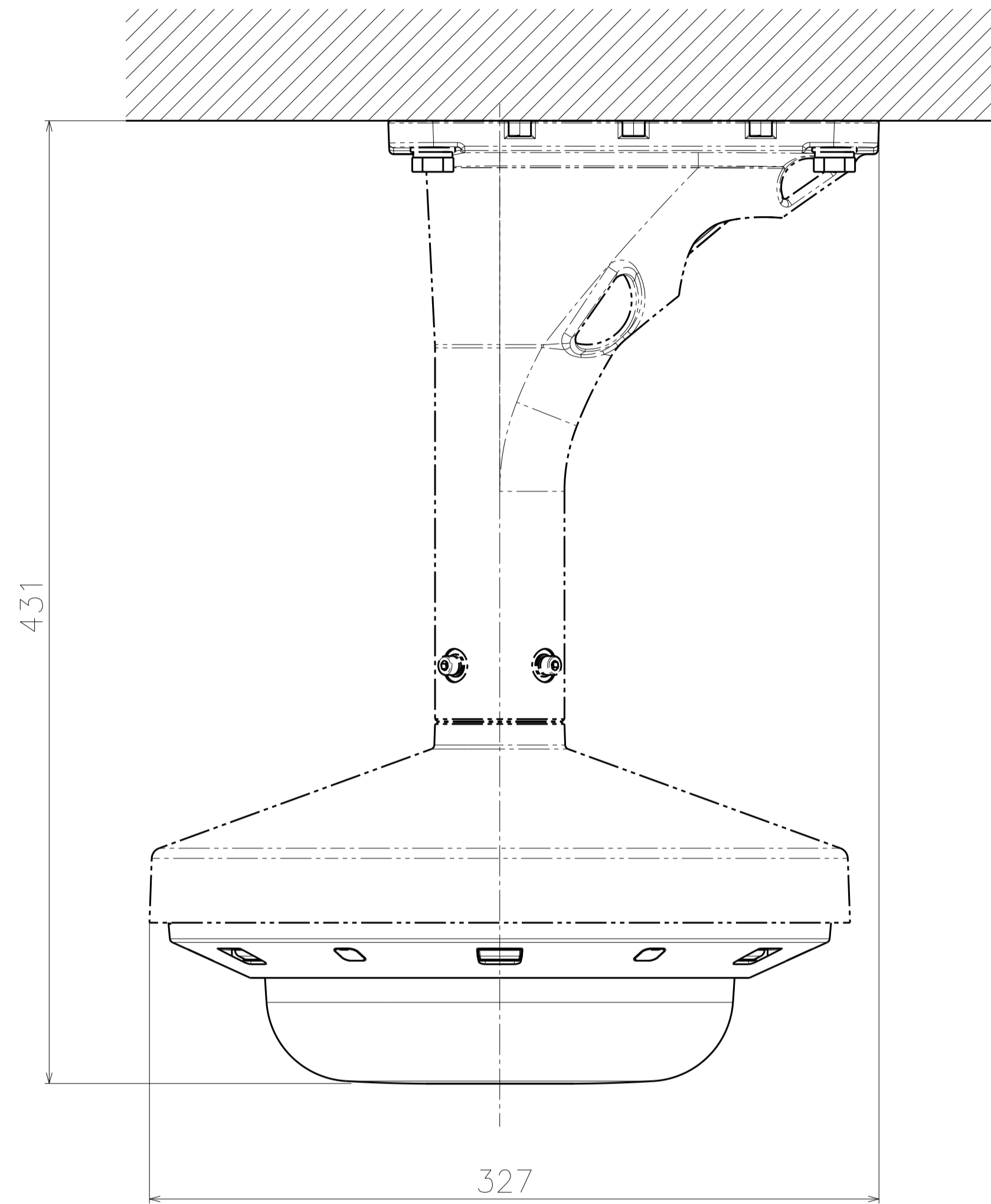


Position adjust sheet



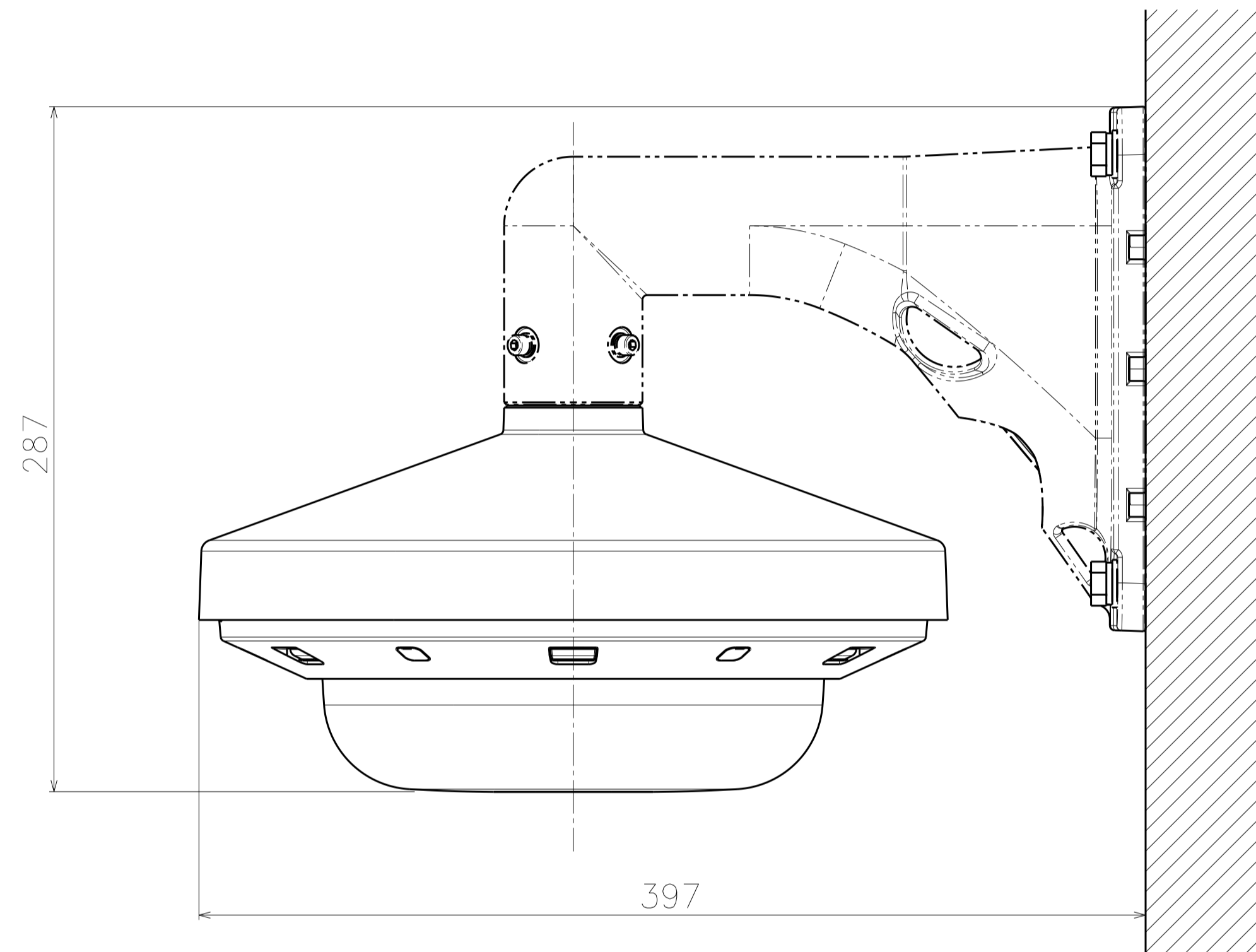
Template for mounting

Model number	Lens type	IR-LED
WV-S8574L	4K	Yes
WV-S8574LN		
WV-S8574LG		
WV-S8564L	6MP	Yes
WV-S8564LN		
WV-S8564LG		
WV-S8544L	4MP	No
WV-S8544LN		
WV-S8544LG		
WV-S8544		
WV-S8544N		
WV-S8544G		



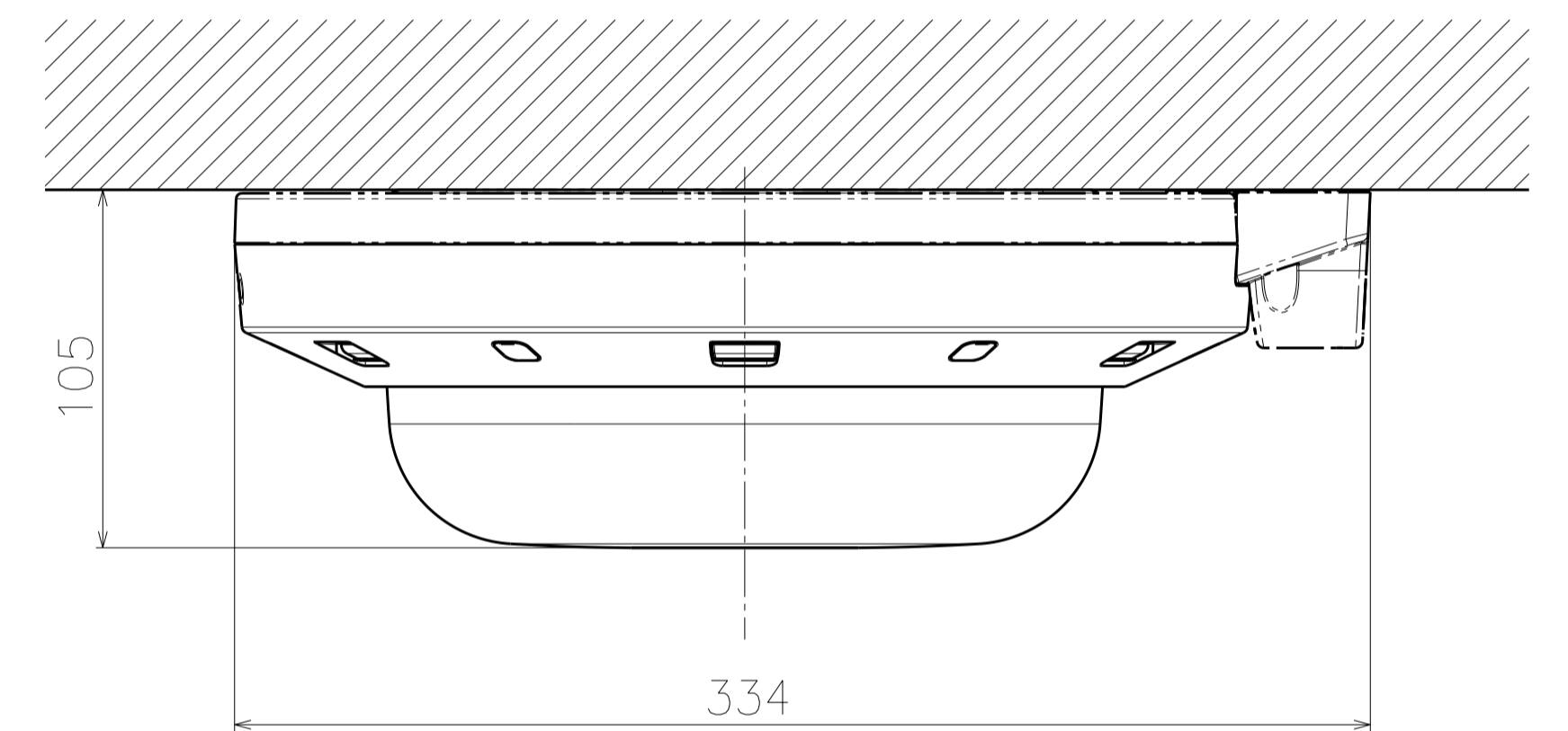
	投影面積/Projected area
正面図/Front-view	0.052 (m <sup>2</sup> )
側面図/Side-view	0.06 (m <sup>2</sup> )

Attach to WV-QSR503-W & WV-QCL501-W



	投影面積/Projected area
正面図/Front-view	0.051 (m <sup>2</sup> )
側面図/Side-view	0.062 (m <sup>2</sup> )

Attach to WV-QSR503-W & WV-QWL501-W



	投影面積/Projected area
正面図/Front-view	0.026 (m <sup>2</sup> )
側面図/Side-view	0.027 (m <sup>2</sup> )

Attach to WV-QJB503-W

Model number
WV-S8574L
WV-S8574LN
WV-S8574LG
WV-S8564L
WV-S8564LN
WV-S8564LG
WV-S8544L
WV-S8544LN
WV-S8544LG
WV-S8544
WV-S8544N
WV-S8544G