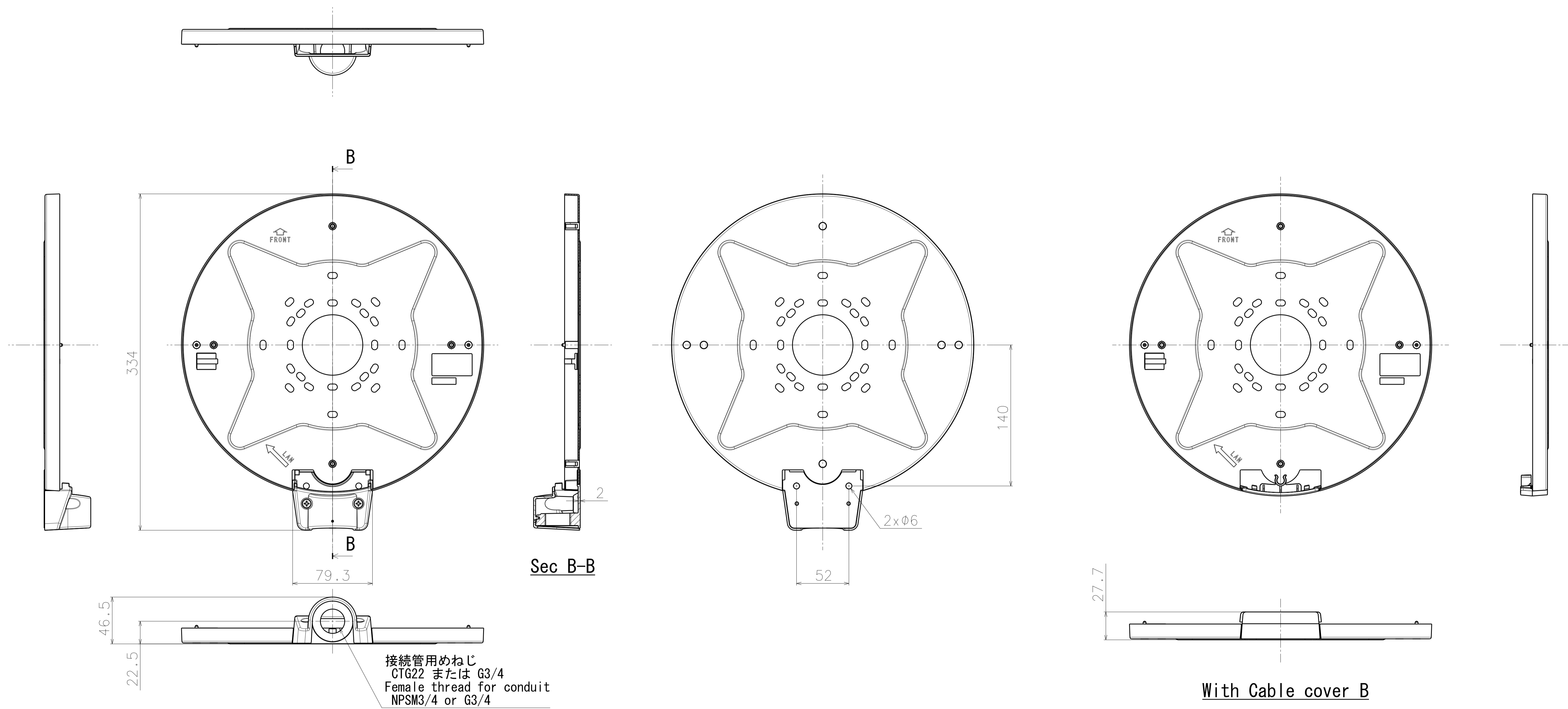


Model number  
WV-QJB503-W



With Conduit base & Conduit cover

With Cable cover B

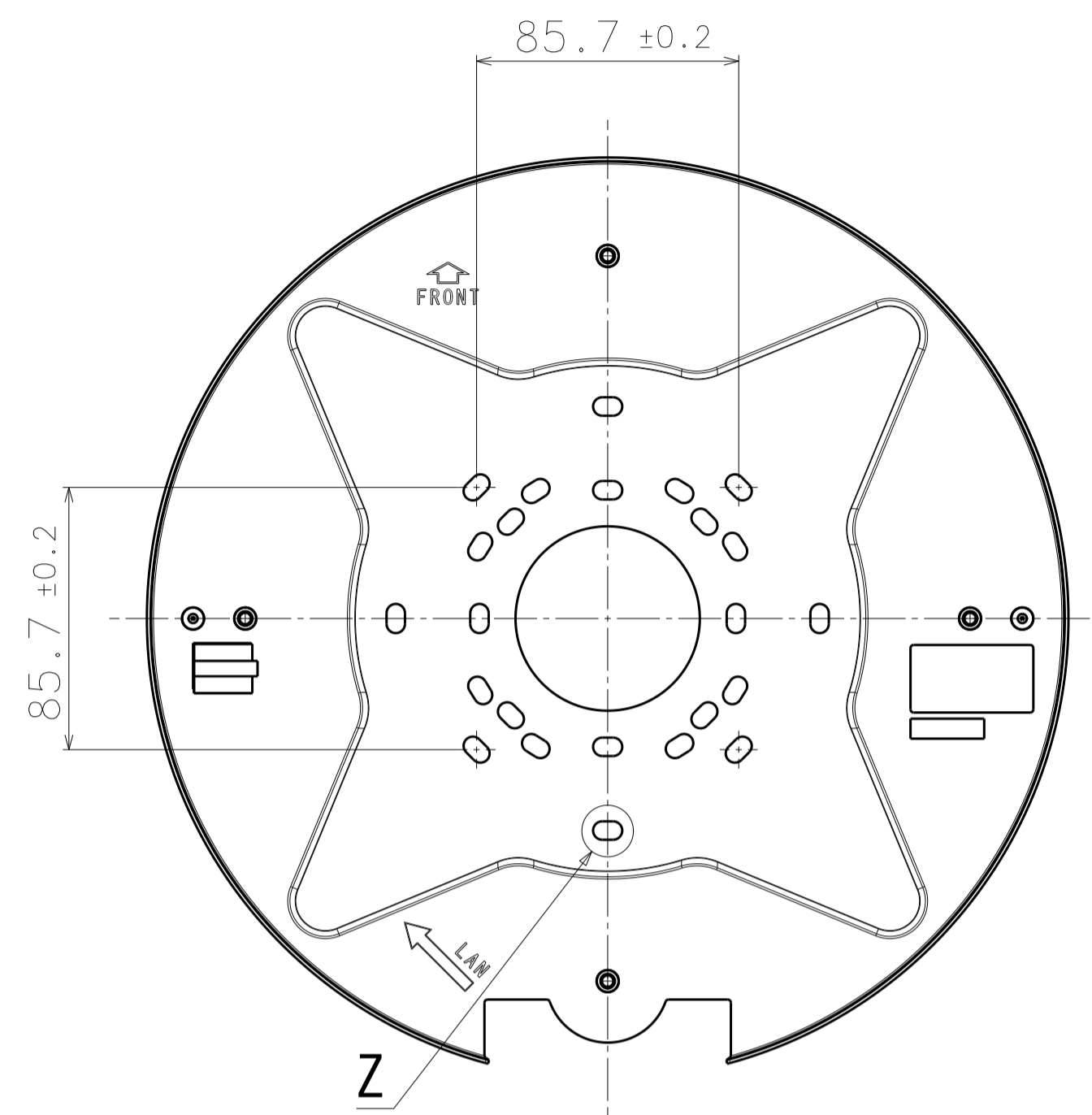
	投影面積/Projected area	
	With Conduit base & Conduit cover	With Cable cover B
下面図/Bottom-view	0.006 (m <sup>2</sup> )	0.006 (m <sup>2</sup> )
側面図/Side-view	0.006 (m <sup>2</sup> )	0.005 (m <sup>2</sup> )

Mass : Approx. 790 g {1.74 lbs}  
(Not including Conduit base & Conduit cover & Cable cover B)

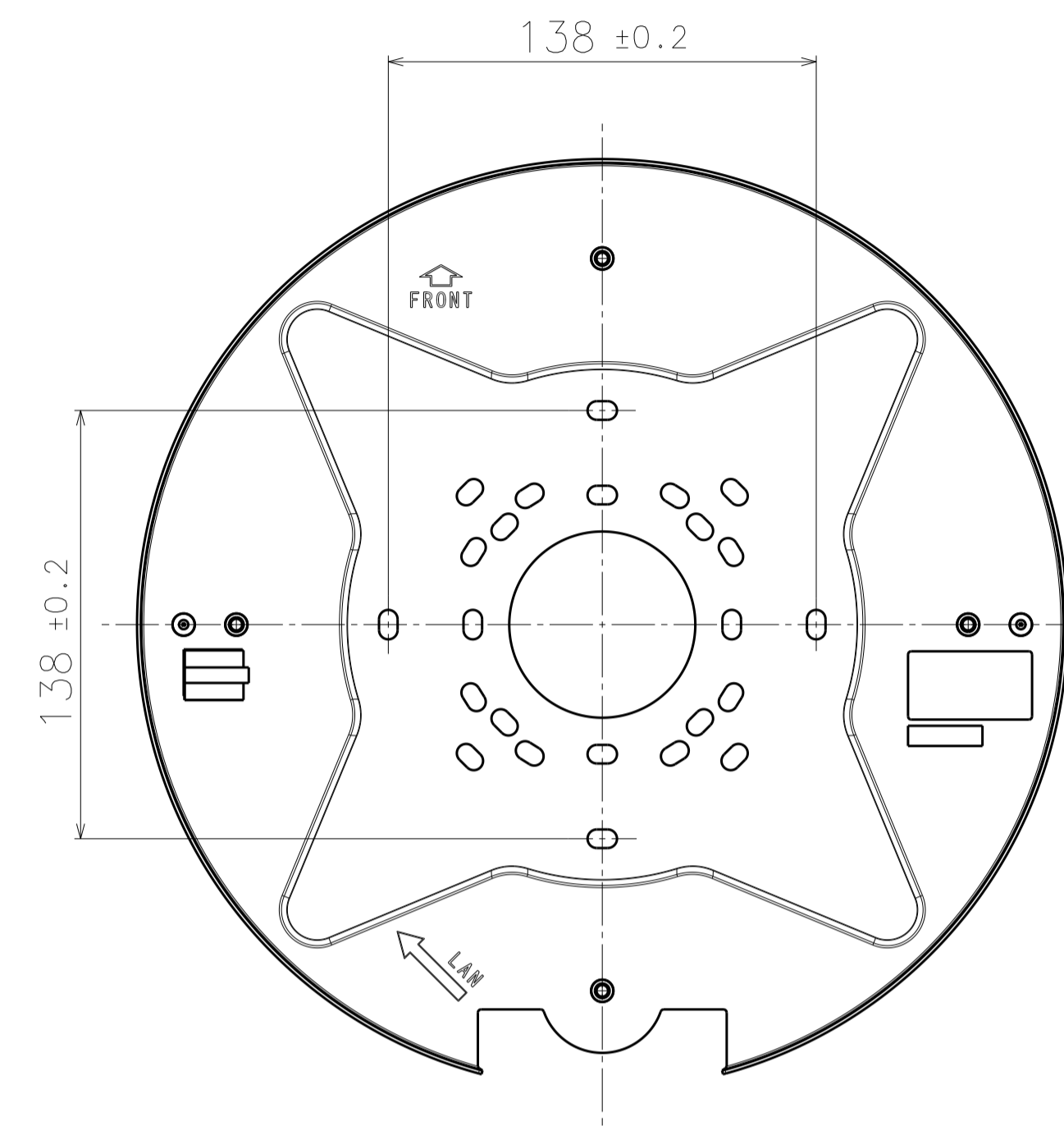
**Model number**  
**WV-QJB503-W**

# Mounting hole layout

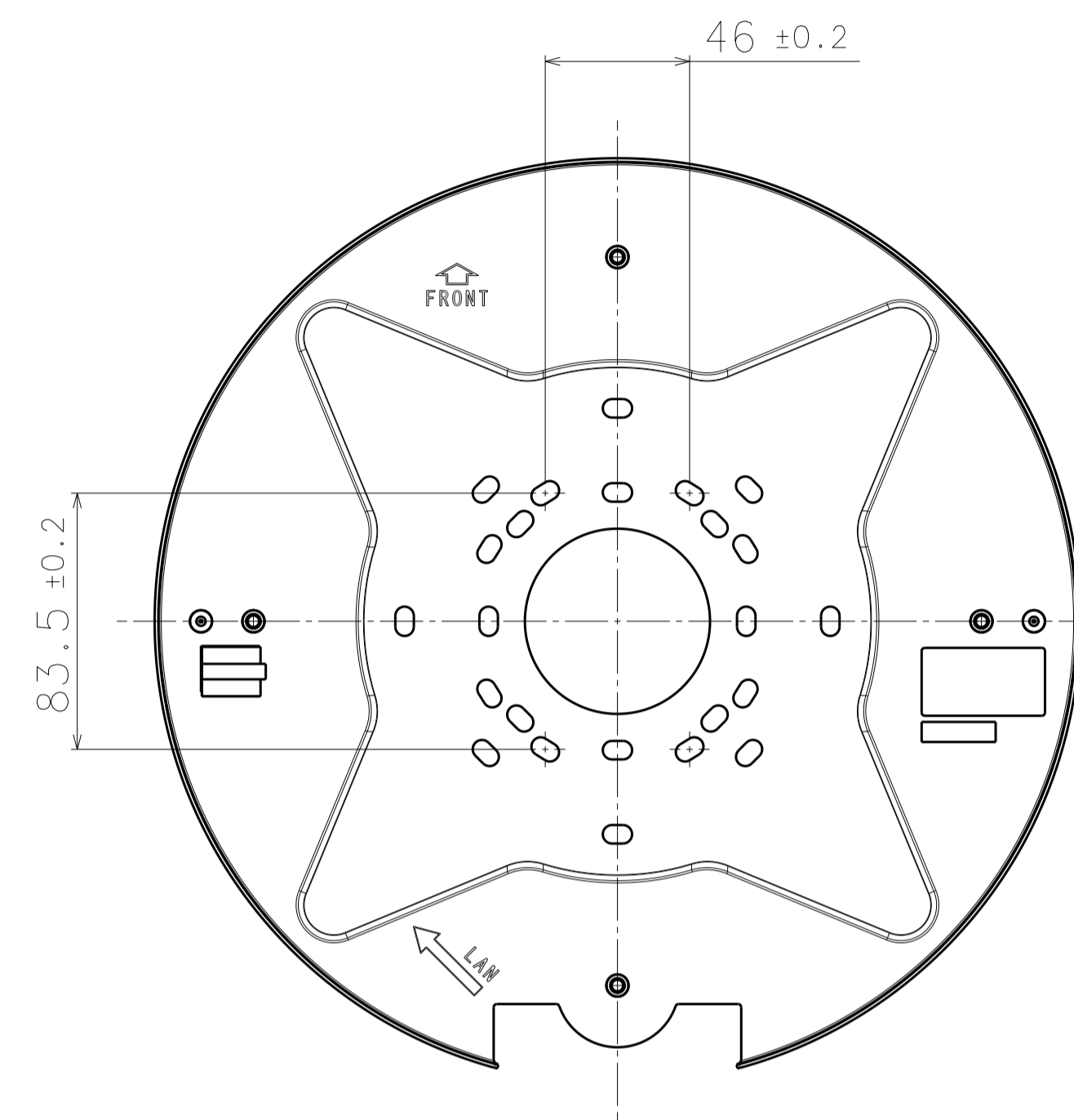
Position A



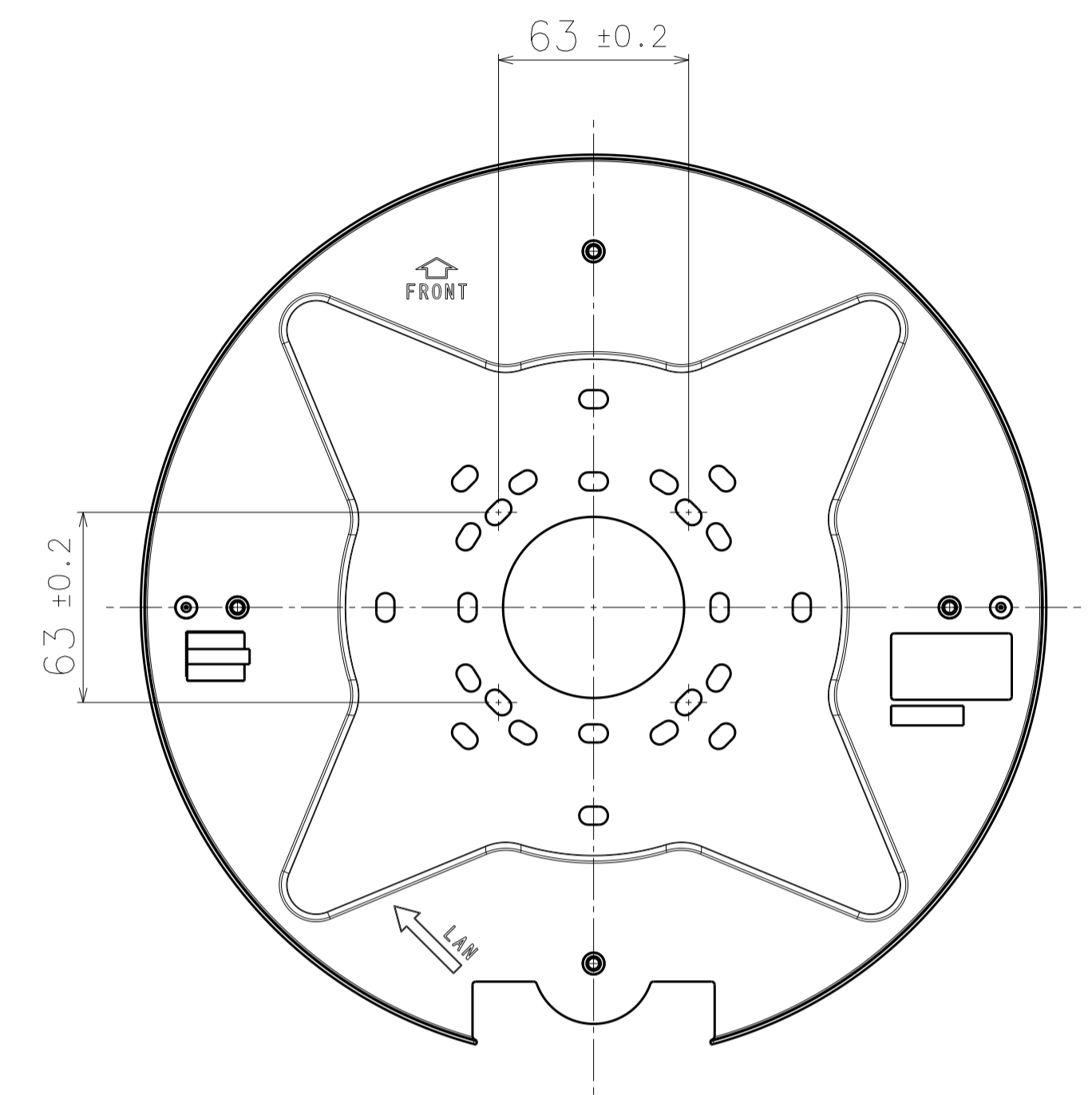
Position B



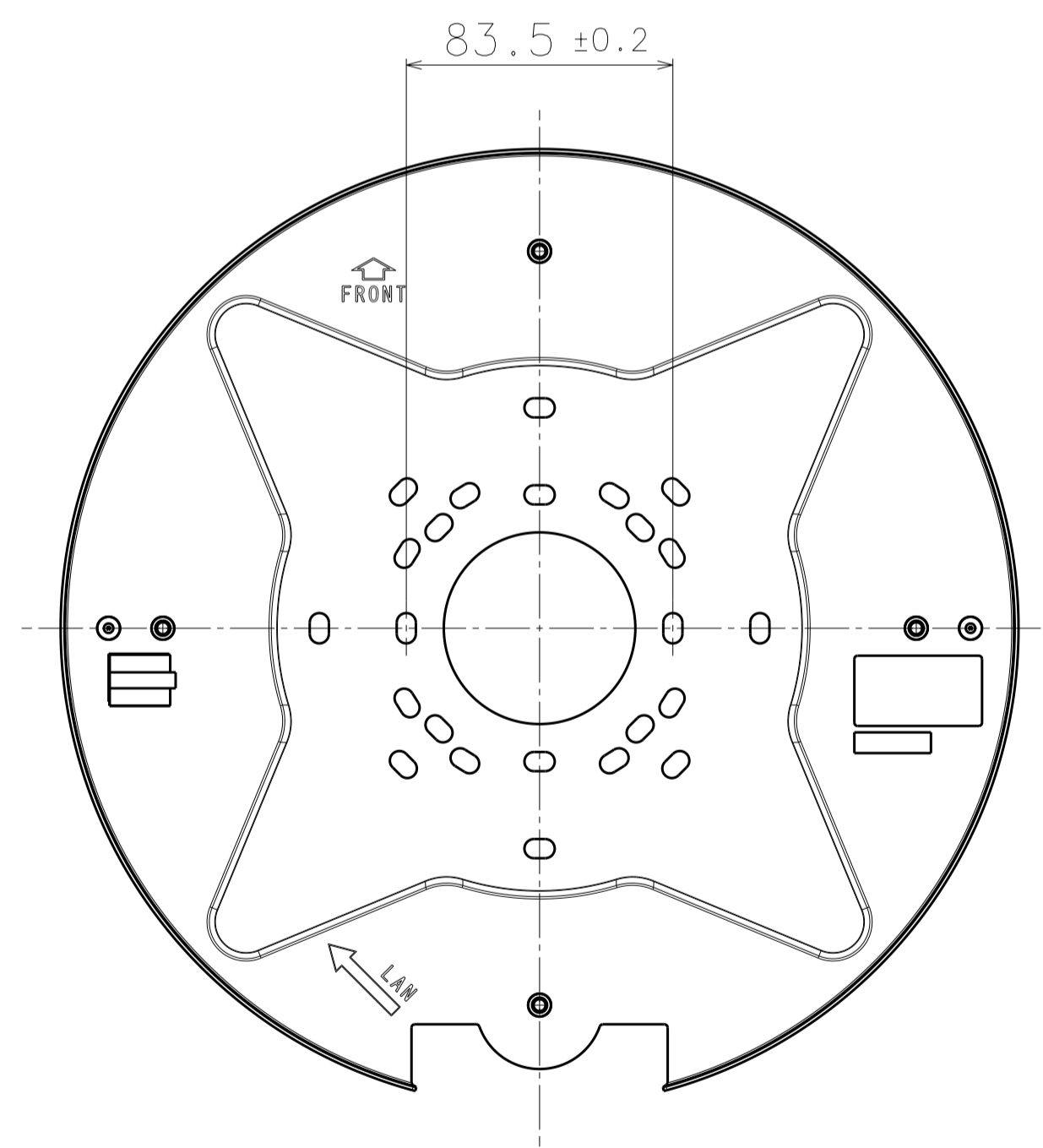
Position C



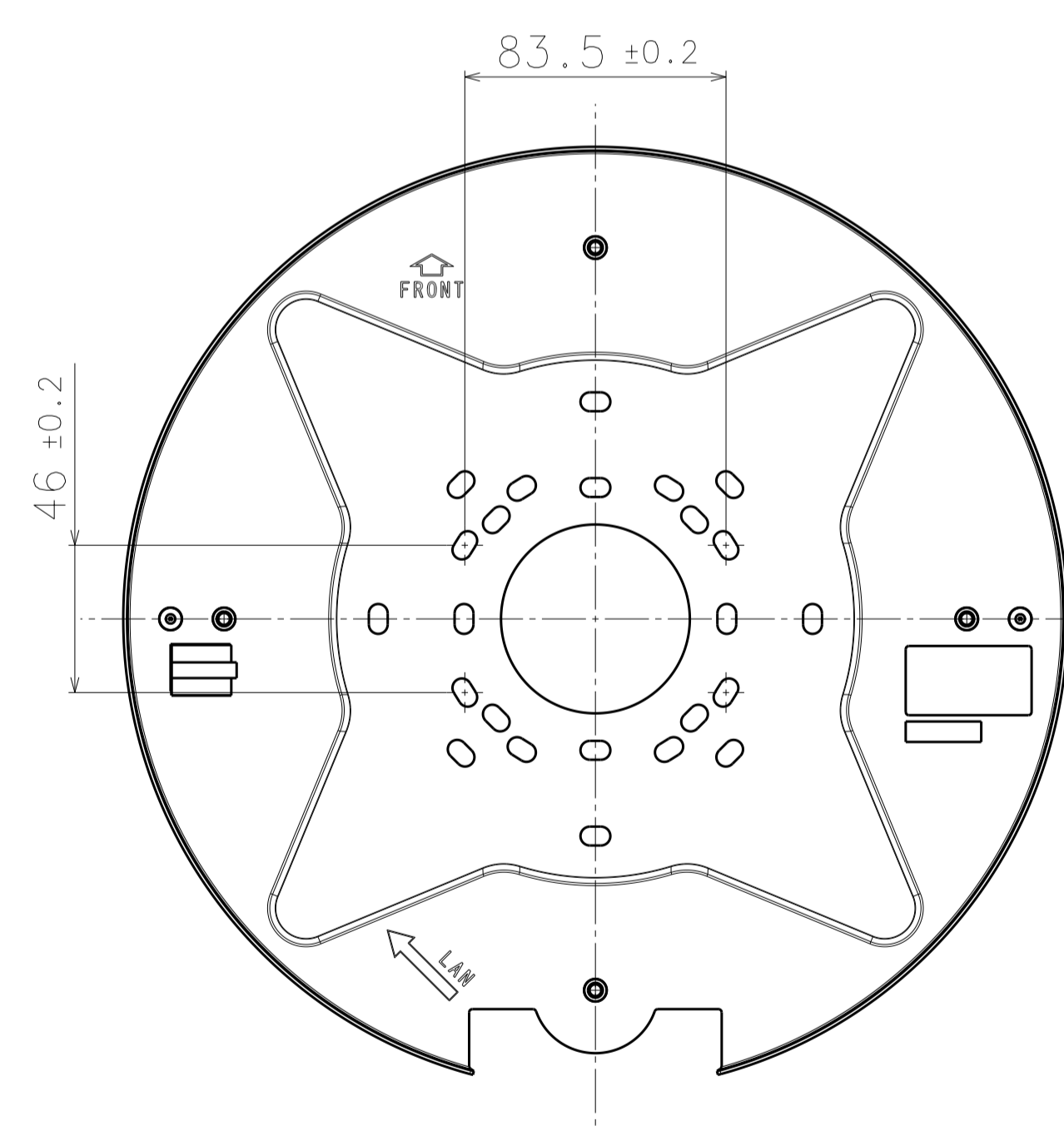
Position D



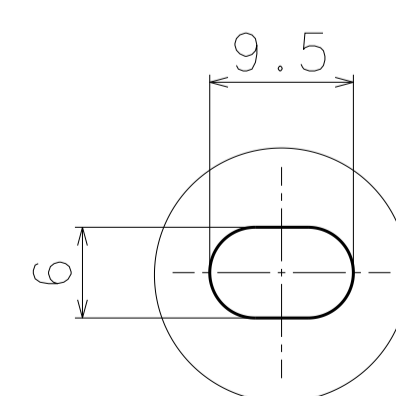
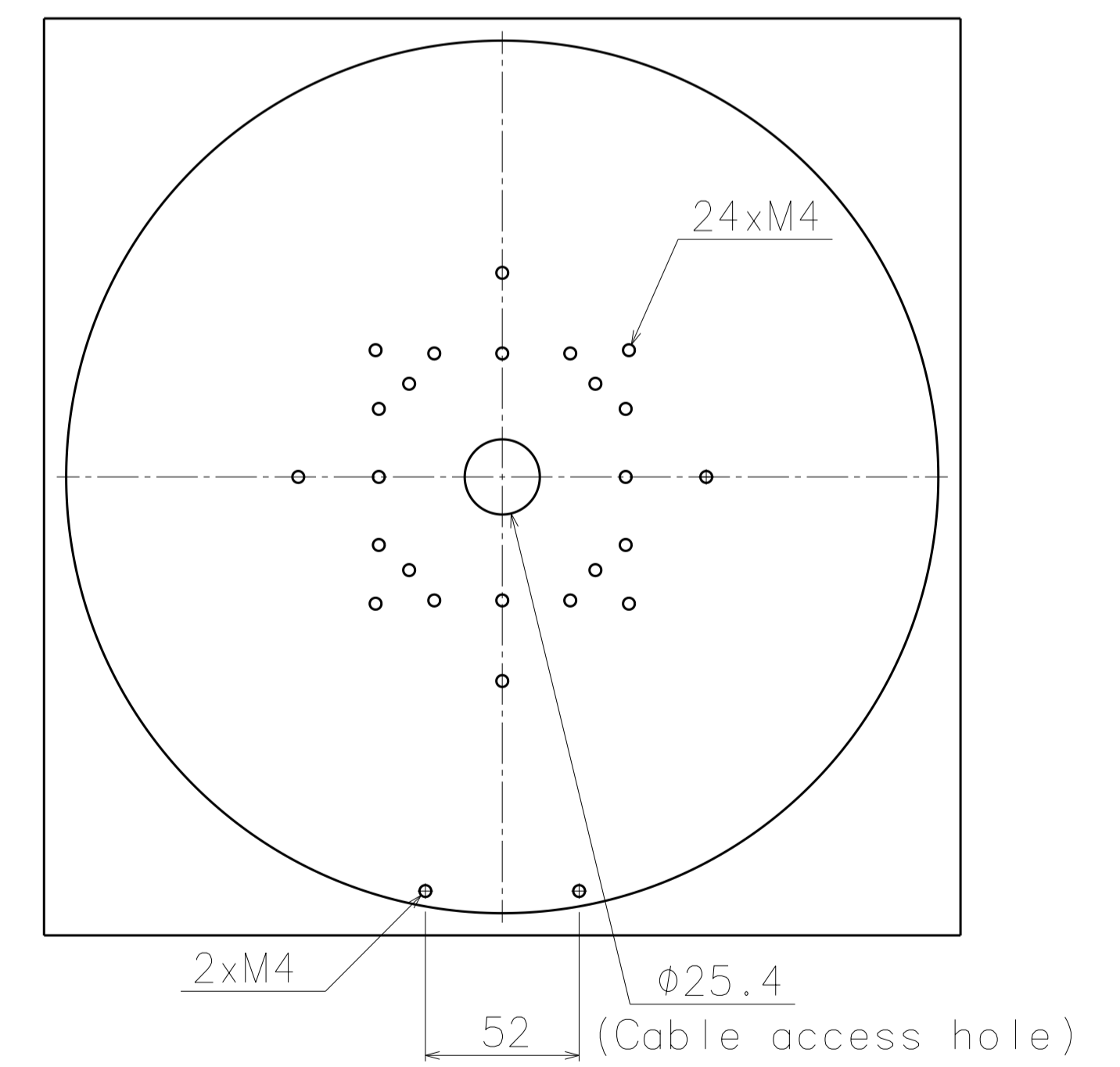
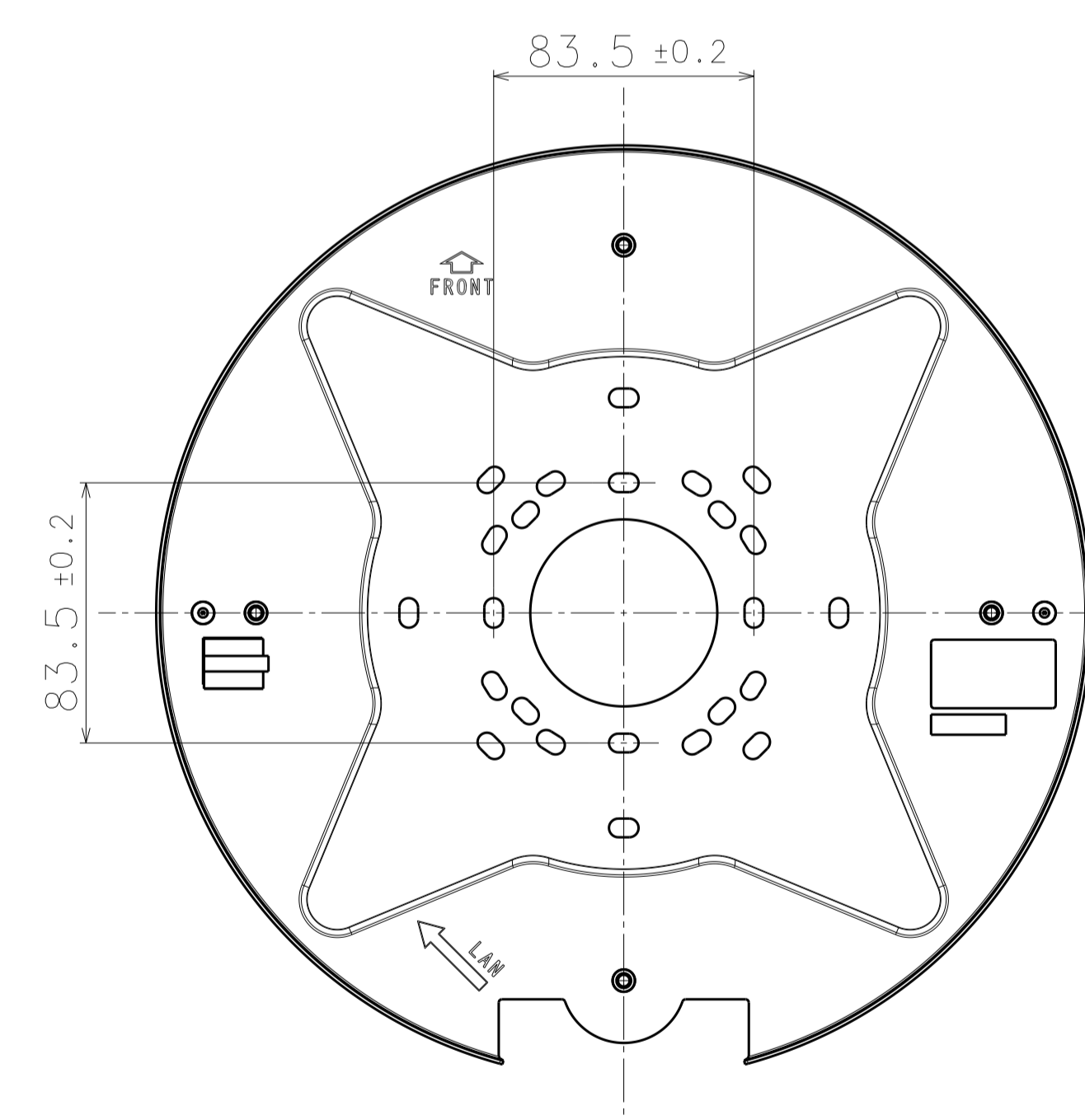
Position E



Position H



Position J

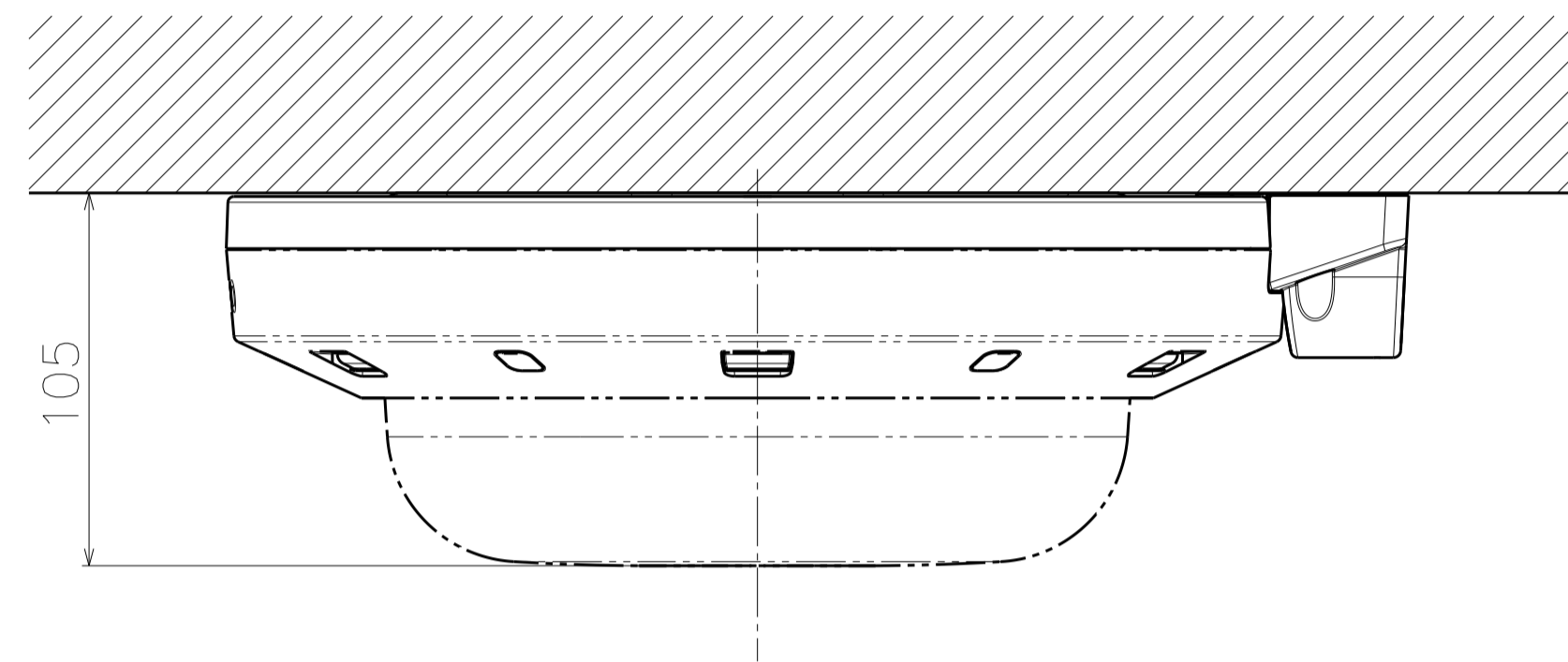


Detail Z (2:1)  
Hole size (All positions)

Template for mounting

Model number  
WV-QJB503-W

カメラとの組み合わせ例  
Example of combination with a camera



	投影面積/Projected area
正面図/Front-view	0.026 (m <sup>2</sup> )
側面図/Side-view	0.027 (m <sup>2</sup> )

Attach to WV-S8574L

Model number  
WV-QJB503-W