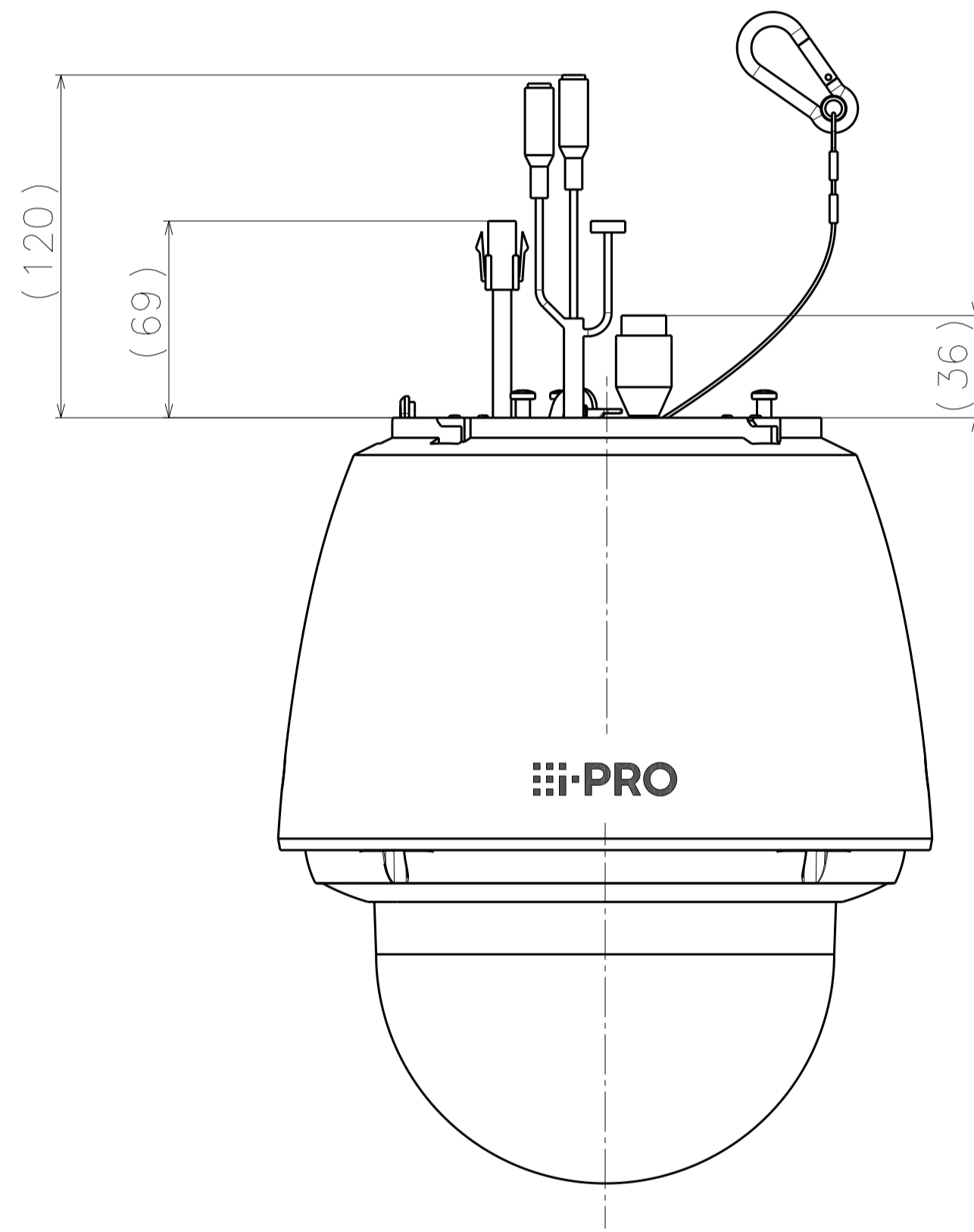
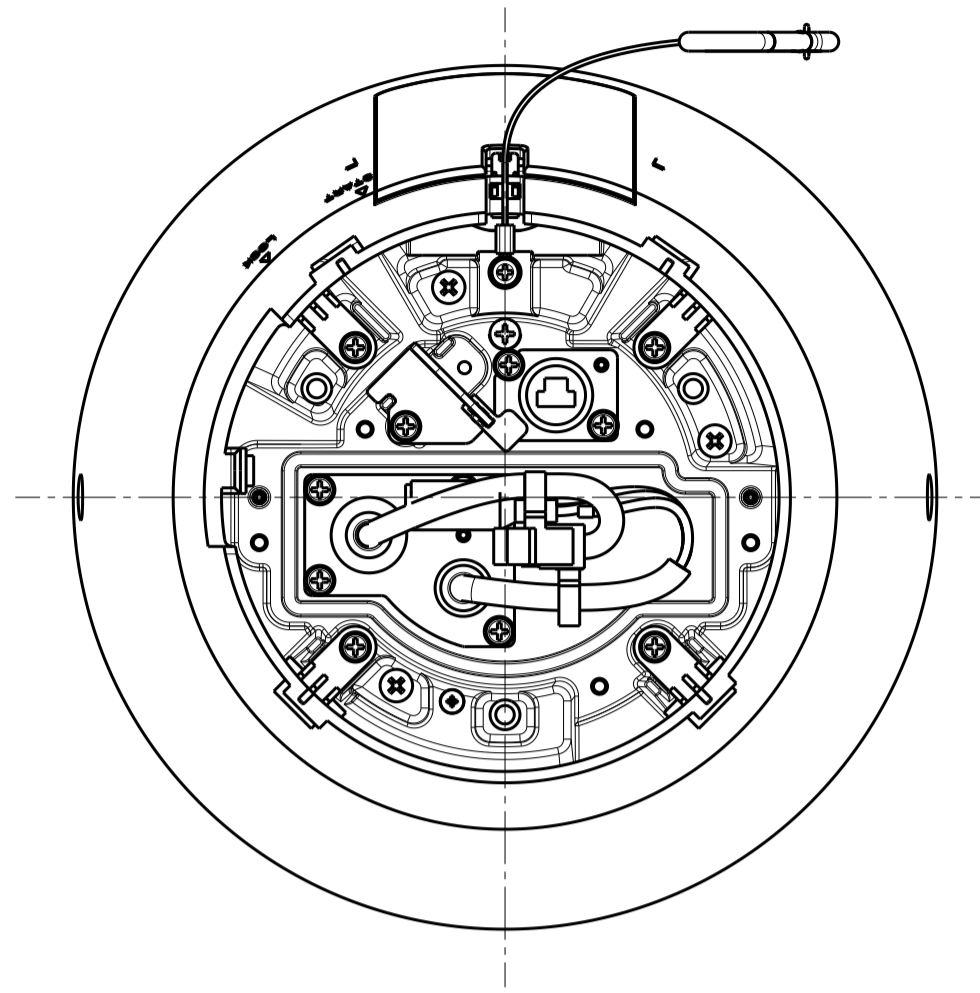


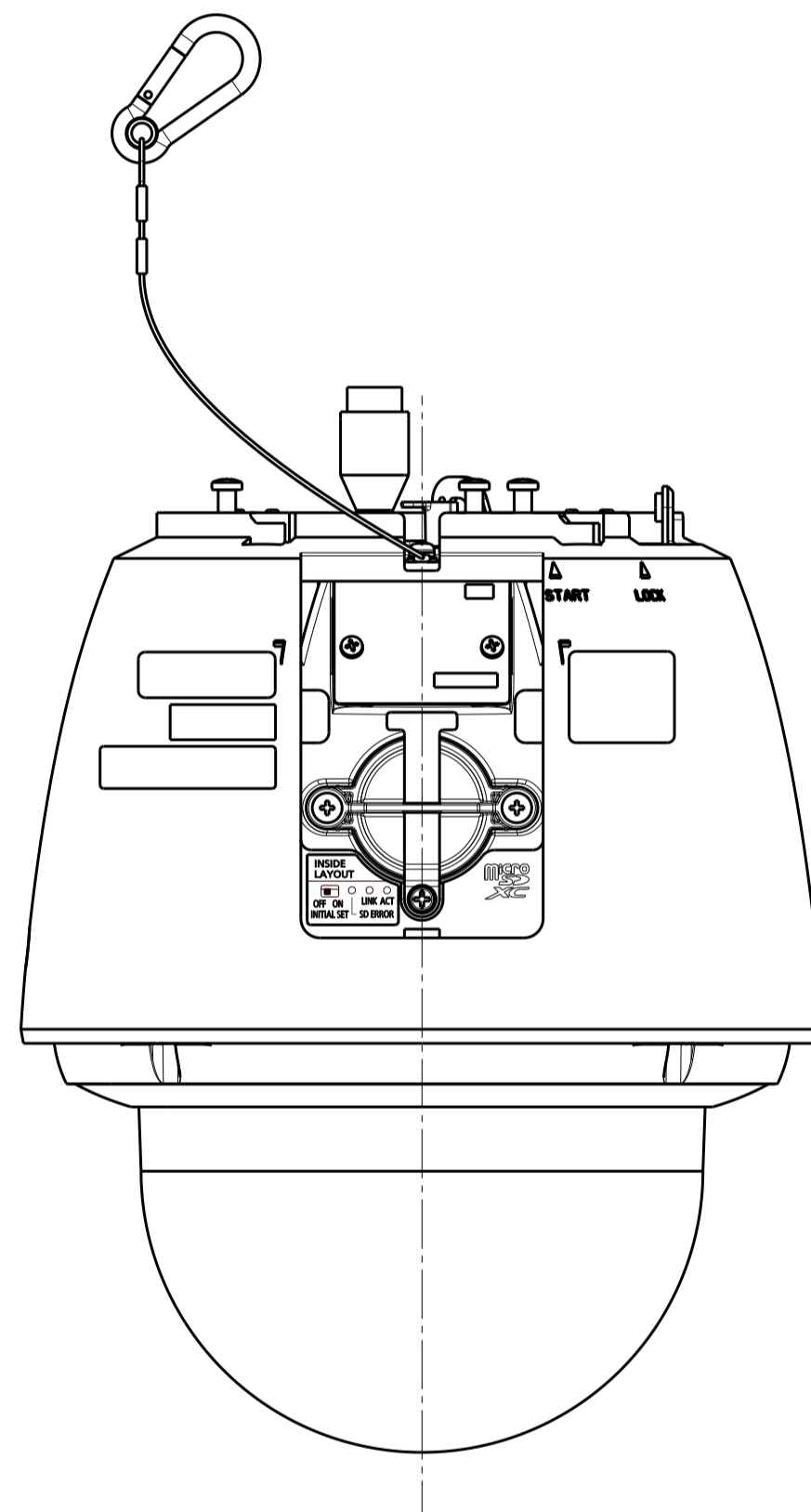
Model number	Lens type	Dome ring coating	Lower cover coating
WV-S65340-Z4N	x40	Metallic black	i-PRO white
WV-S65340-Z4NJ			
WV-S65340-Z2N	x21	Metallic black	i-PRO white
WV-S65340-Z2NJ			
WV-S65340-Z4K	x40	Metallic black (Heavy salt damage resistance)	i-PRO white (Heavy salt damage resistance)
WV-S65340-Z4KJ			
WV-S65340-Z2K	x21	Metallic black (Heavy salt damage resistance)	i-PRO white (Heavy salt damage resistance)
WV-S65340-Z2KJ			

	投影面積/Projected area
平面図/Top-view	0.041 (m ²)
側面図/Side-view	0.048 (m ²)

Mass : Approx. 4.3 kg {9.49 lbs} (Lens type : x40)
 Approx. 4.2 kg {9.27 lbs} (Lens type : x21)

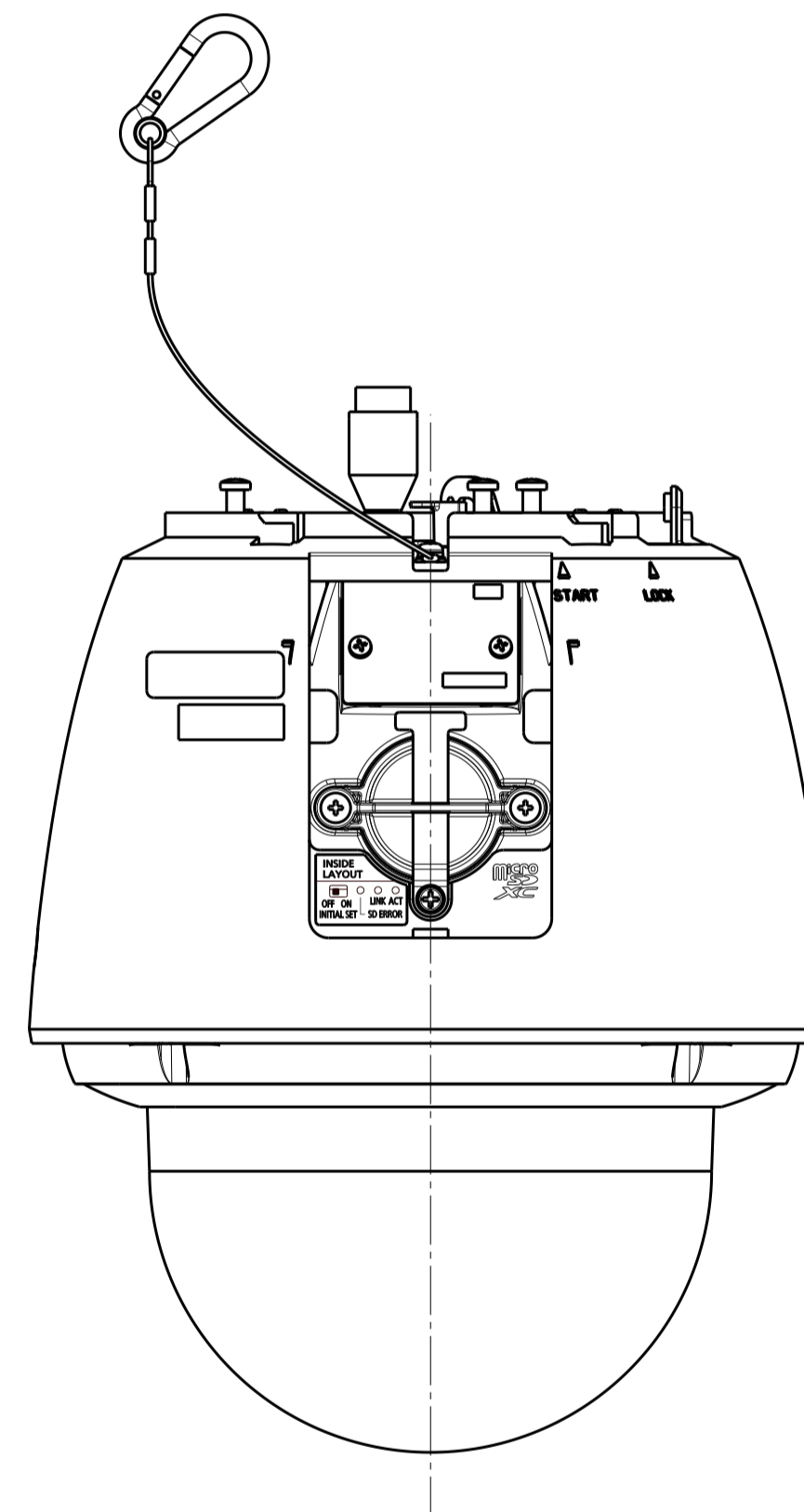


Inside the cable case

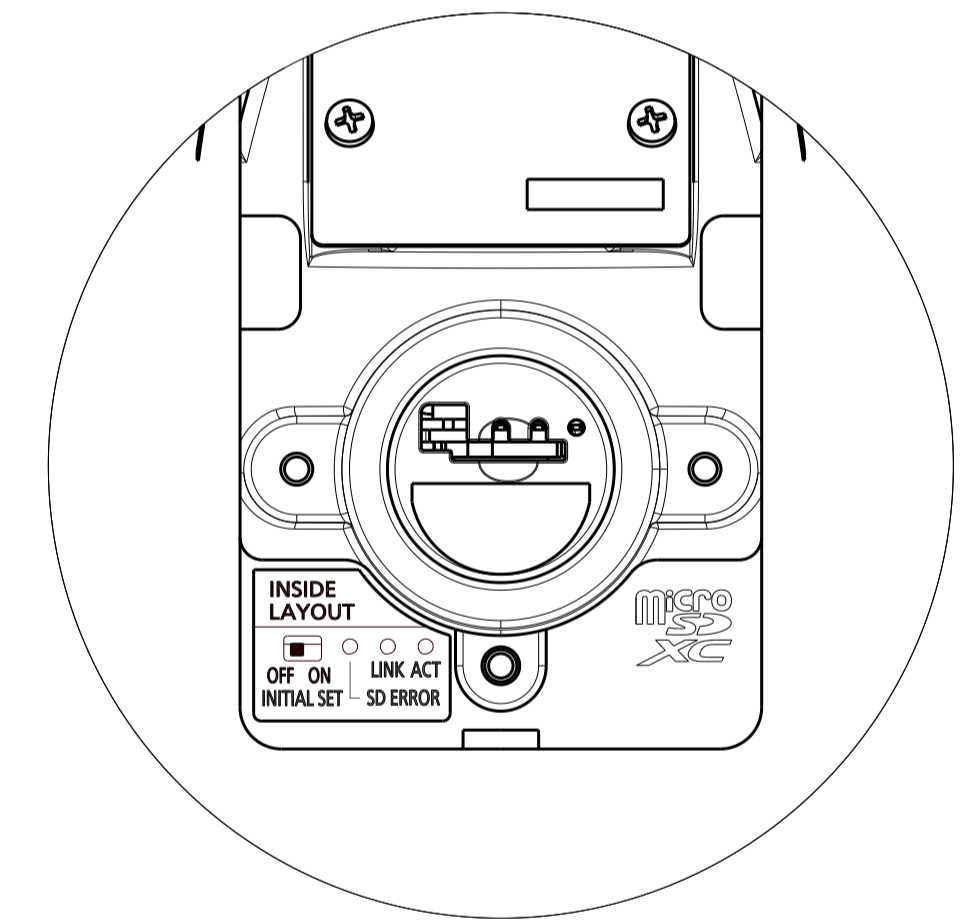


Subject
WV-S65340-Z4N
WV-S65340-Z2N
WV-S65340-Z4K
WV-S65340-Z2K

Inside the rear sunshade



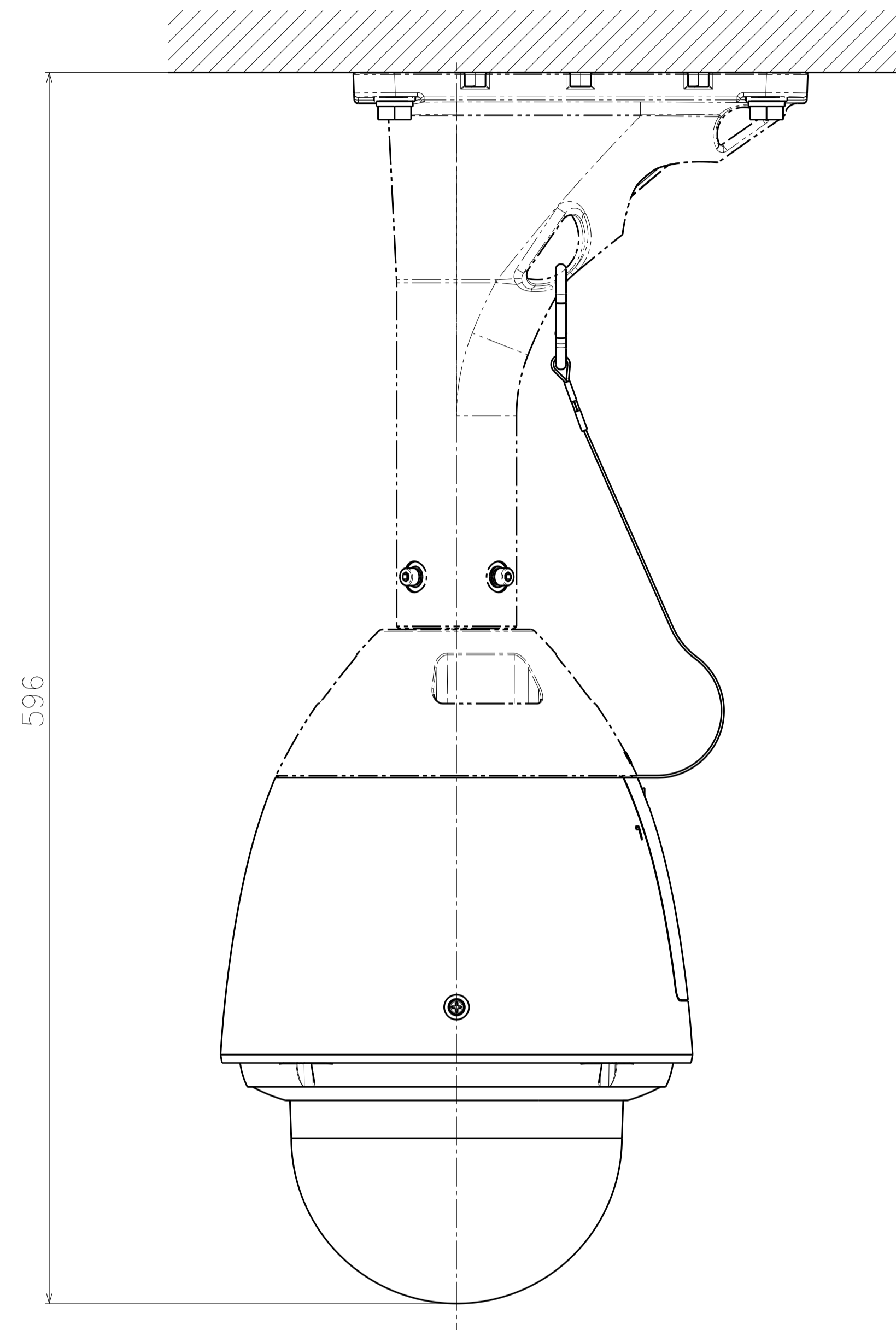
Subject
WV-S65340-Z4NJ
WV-S65340-Z2NJ
WV-S65340-Z4KJ
WV-S65340-Z2KJ



Inside the waterproof cap
S=1:1

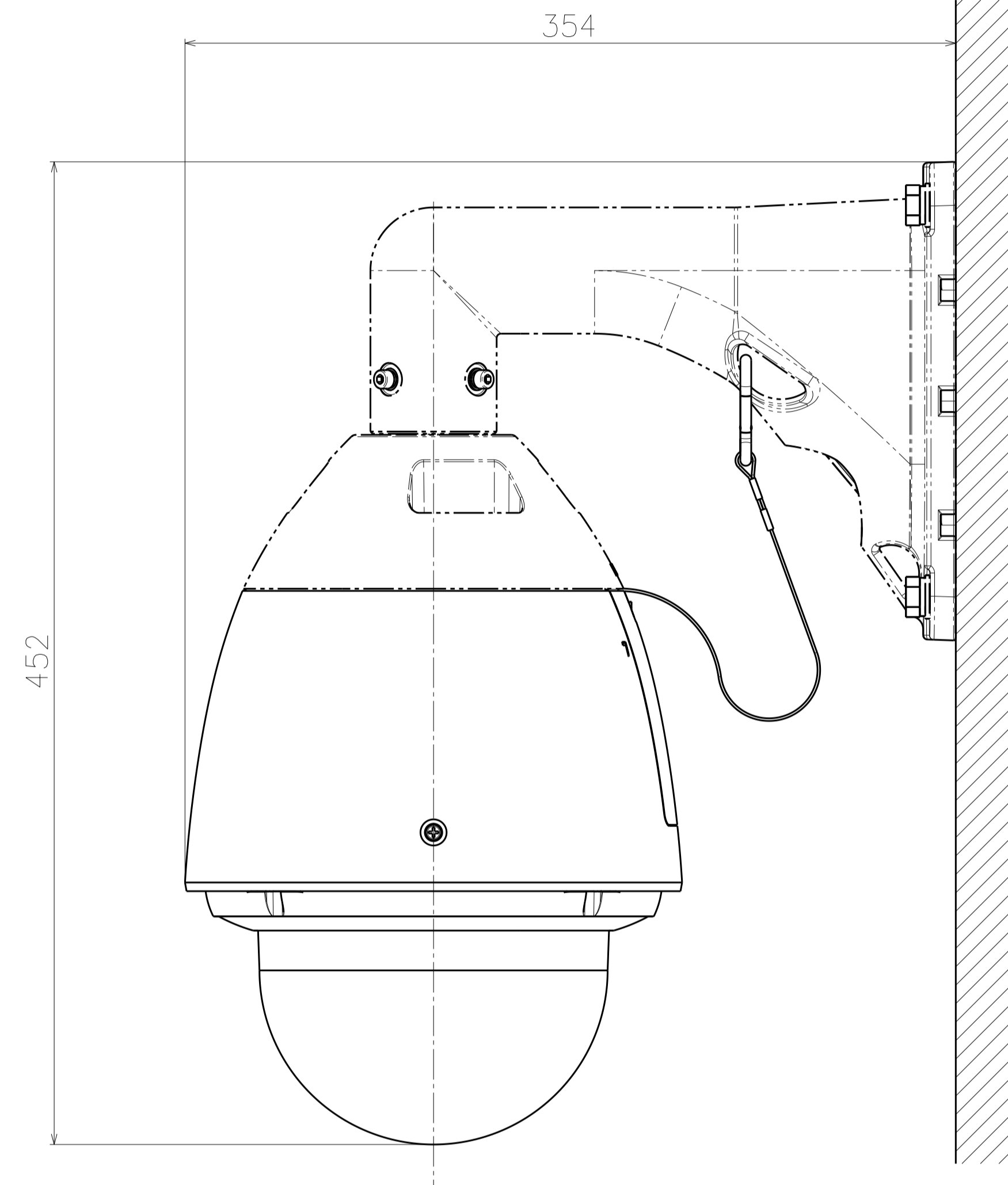
Model number
WV-S65340-Z4N
WV-S65340-Z4NJ
WV-S65340-Z2N
WV-S65340-Z2NJ
WV-S65340-Z4K
WV-S65340-Z4KJ
WV-S65340-Z2K
WV-S65340-Z2KJ

金具との組み合わせ例
Example of combination with bracket



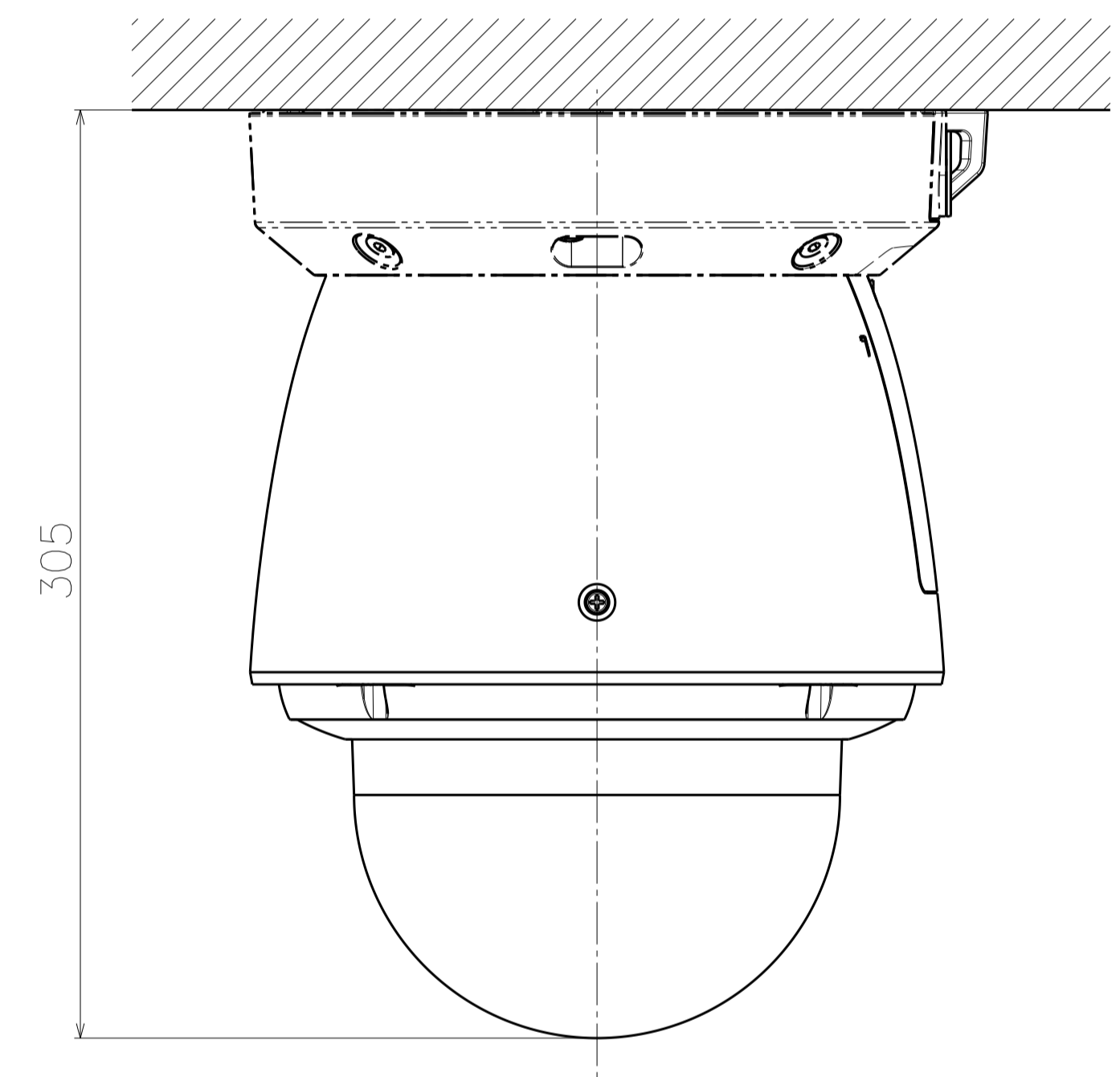
Attach to WV-QCL501** & WV-QSR504**

	投影面積/Projected area
側面図/Side-view	0.080 (m ²)
平面図/Side-view	0.048 (m ²)



Attach to WV-QWL501** & WV-QSR504**

	投影面積/Projected area
側面図/Side-view	0.083 (m ²)
平面図/Side-view	0.050 (m ²)



Attach to WV-QCL500**

	投影面積/Projected area
側面図/Side-view	0.057 (m ²)

Model number
WV-S65340-Z4N
WV-S65340-Z4NJ
WV-S65340-Z2N
WV-S65340-Z2NJ
WV-S65340-Z4K
WV-S65340-Z4KJ
WV-S65340-Z2K
WV-S65340-Z2KJ