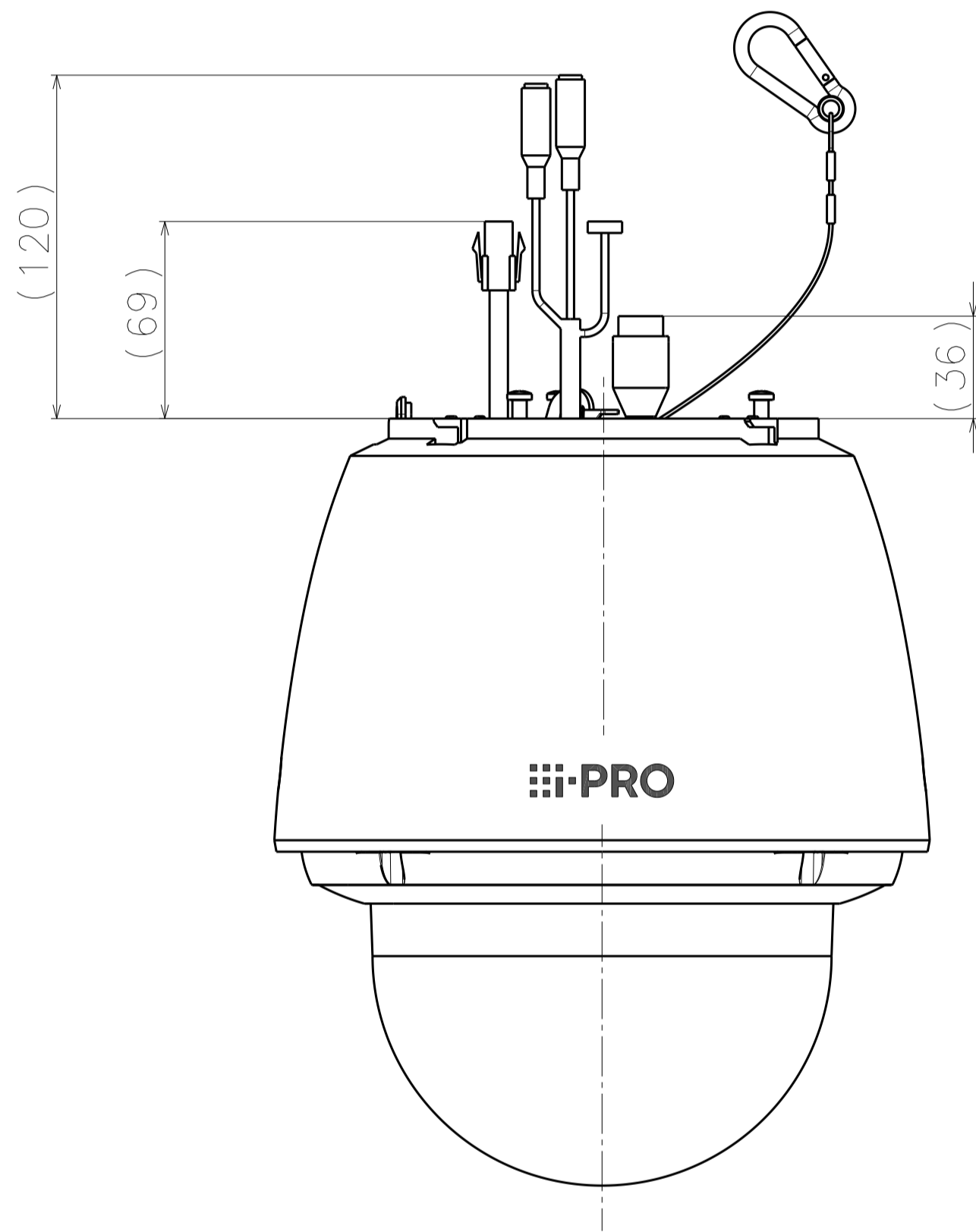
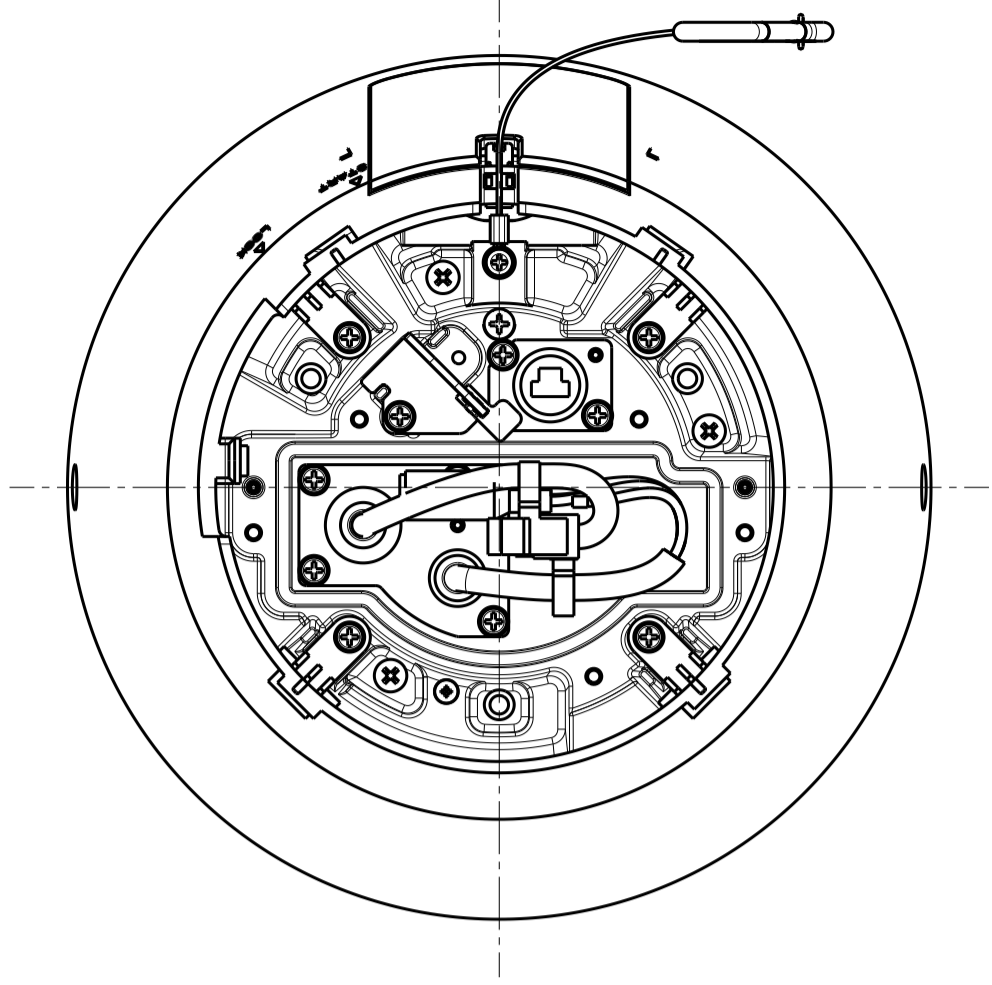


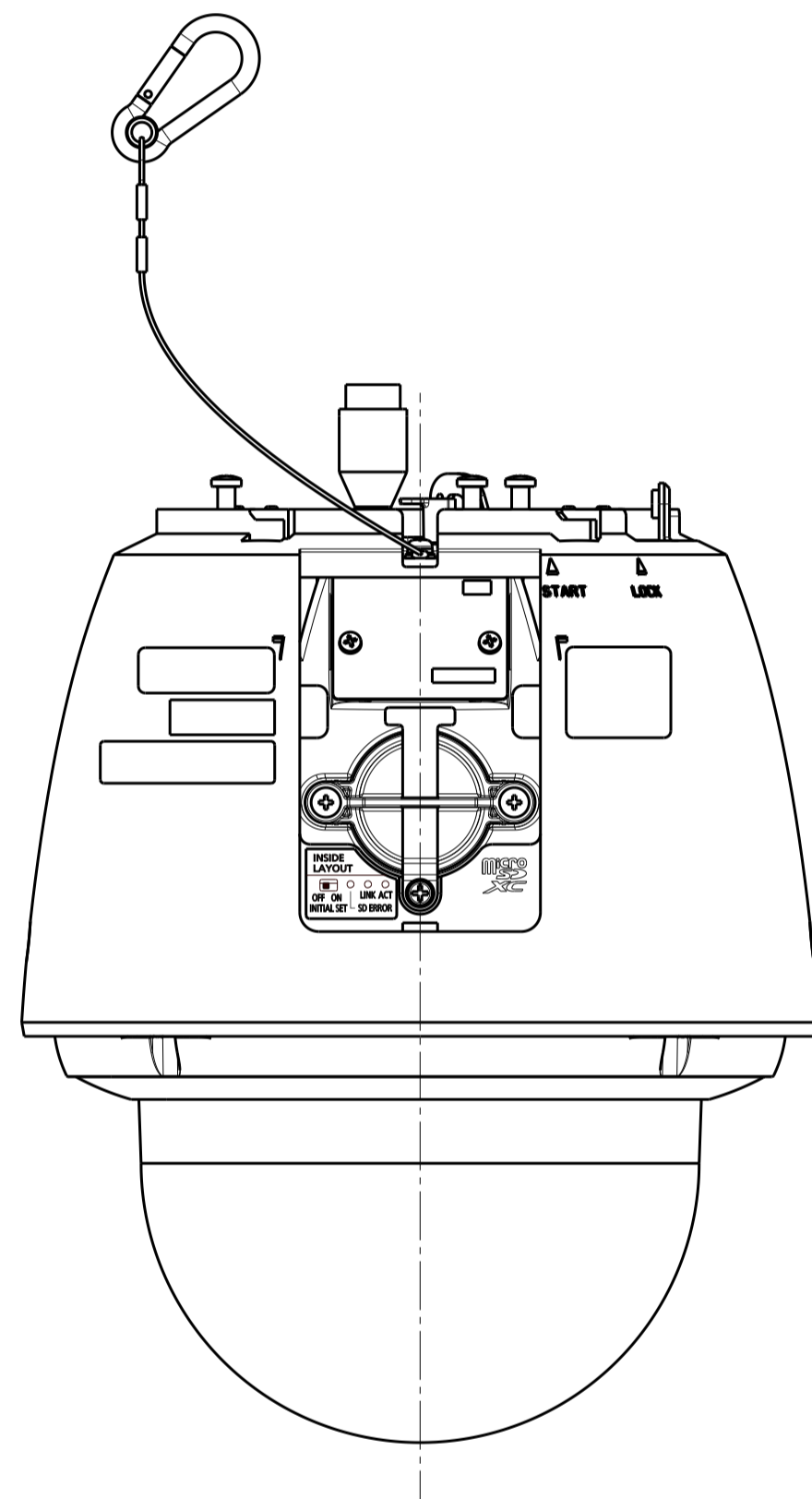
Model number	Lens type	Dome type	Coating			
			Dome ring	Lower cover	Sunshade	Rear sunshade
WV-S65340-Z4N	x40	Clear dome (ClearSight coating)	Metallic black	Silver	i-PRO white	i-PRO white
WV-S65340-Z4NJ						
WV-S65340-Z2N	x21	Clear dome (ClearSight coating)	Metallic black (Heavy salt damage resistance)	Silver (Heavy salt damage resistance)		
WV-S65340-Z2NJ						
WV-S65340-Z4K	x40	Clear dome (ClearSight coating)	Metallic black (Heavy salt damage resistance)	Silver (Heavy salt damage resistance)		
WV-S65340-Z4KJ						
WV-S65340-Z2K	x21	Clear dome (ClearSight coating)	Metallic black (Heavy salt damage resistance)	Silver (Heavy salt damage resistance)		
WV-S65340-Z2KJ						
WV-S65340-Z4G	x40	Smoke dome	Metallic black	Silver	Black	Black
WV-S65340-Z2G						
WV-S65340-Z4N1	x40	Clear dome (ClearSight coating)	Metallic black	Silver		
WV-S65340-Z4N1J						
WV-S65340-Z2N1	x21	Clear dome (ClearSight coating)	Metallic black	Silver		
WV-S65340-Z2N1J						

投影面積/Projected area	
平面図/Top-view	0.041 (m ²)
側面図/Side-view	0.048 (m ²)

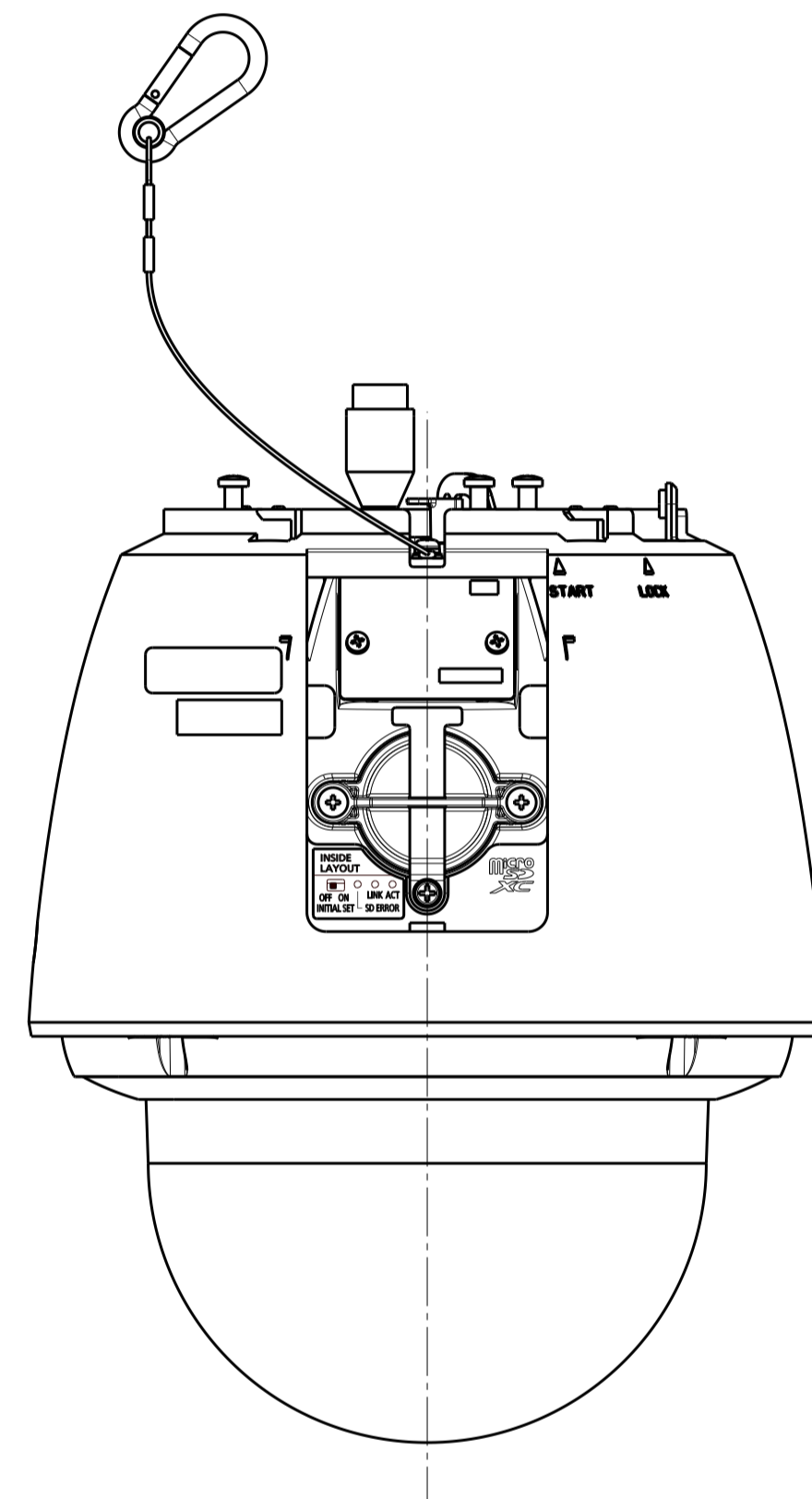
Mass : Approx. 4.3 kg {9.49 lbs} (Lens type : x40)
 Approx. 4.2 kg {9.27 lbs} (Lens type : x21)



Inside the cable case

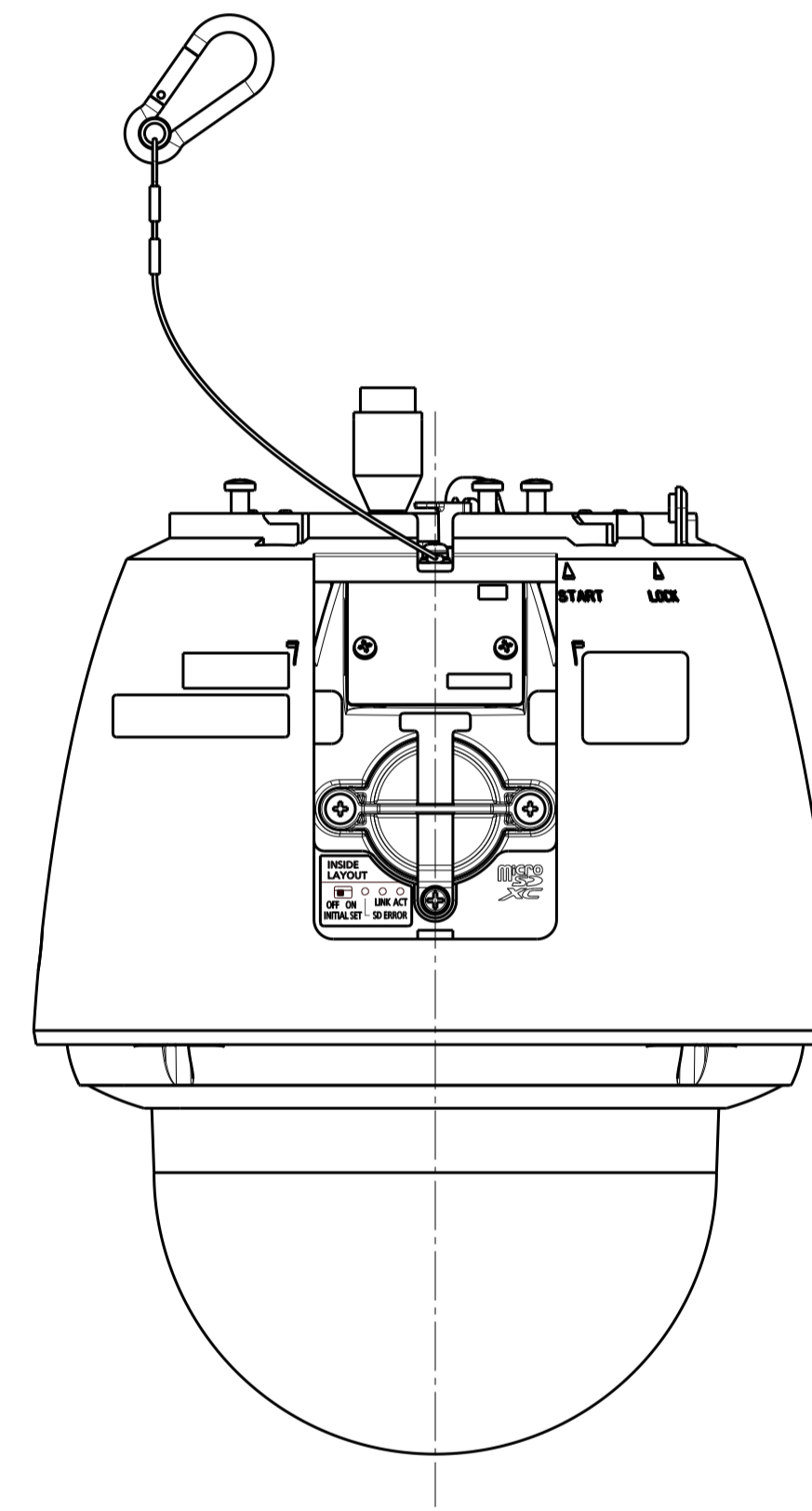


Subject
WV-S65340-Z4N
WV-S65340-Z2N
WV-S65340-Z4K
WV-S65340-Z2K

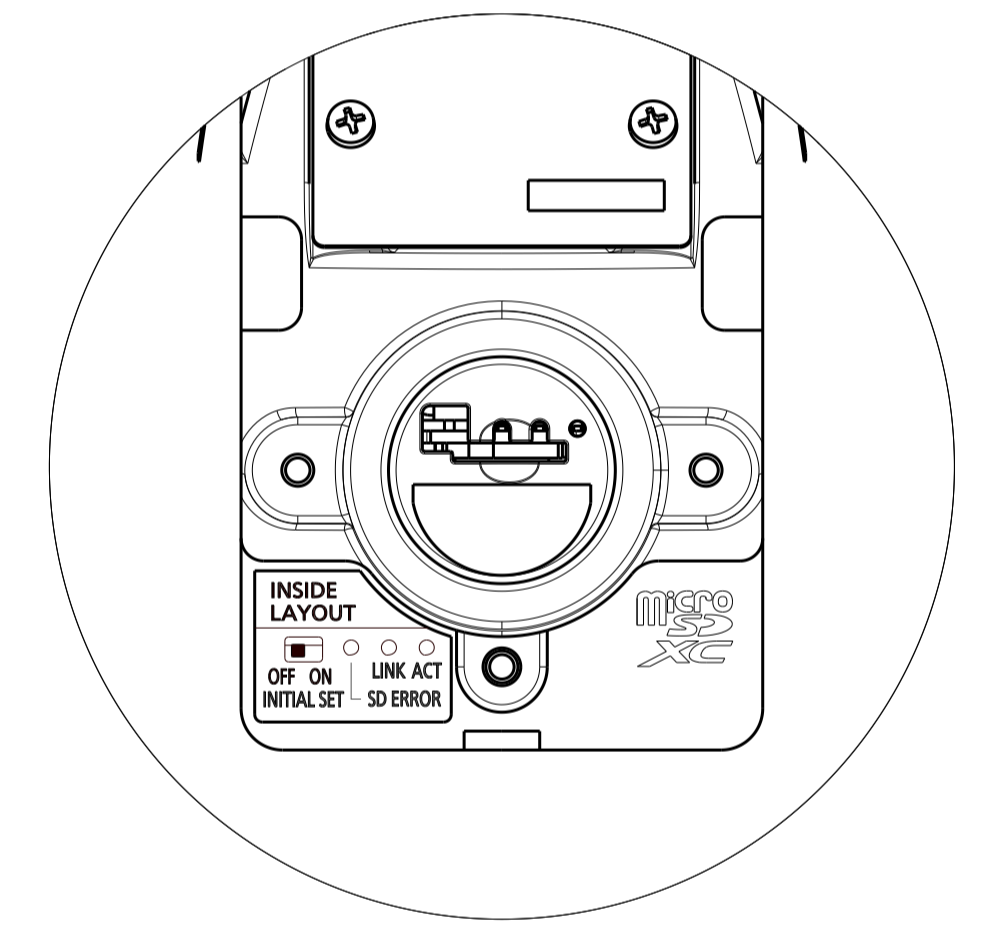


Subject
WV-S65340-Z4NJ
WV-S65340-Z2NJ
WV-S65340-Z4KJ
WV-S65340-Z2KJ
WV-S65340-Z4N1J
WV-S65340-Z2N1J

Inside the rear sunshade



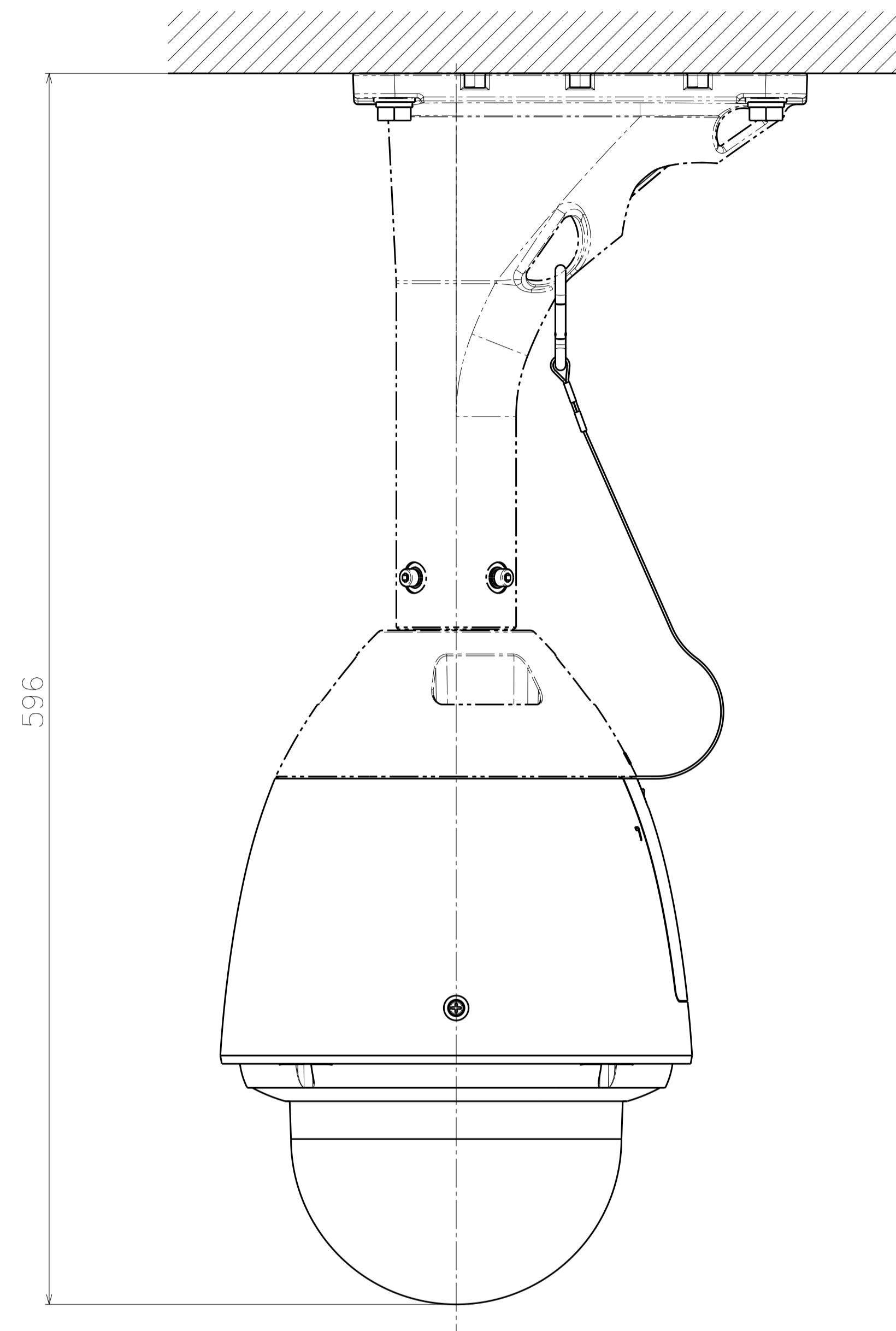
Subject
WV-S65340-Z4G
WV-S65340-Z2G
WV-S65340-Z4N1
WV-S65340-Z2N1



Inside the waterproof cap
S=1:1

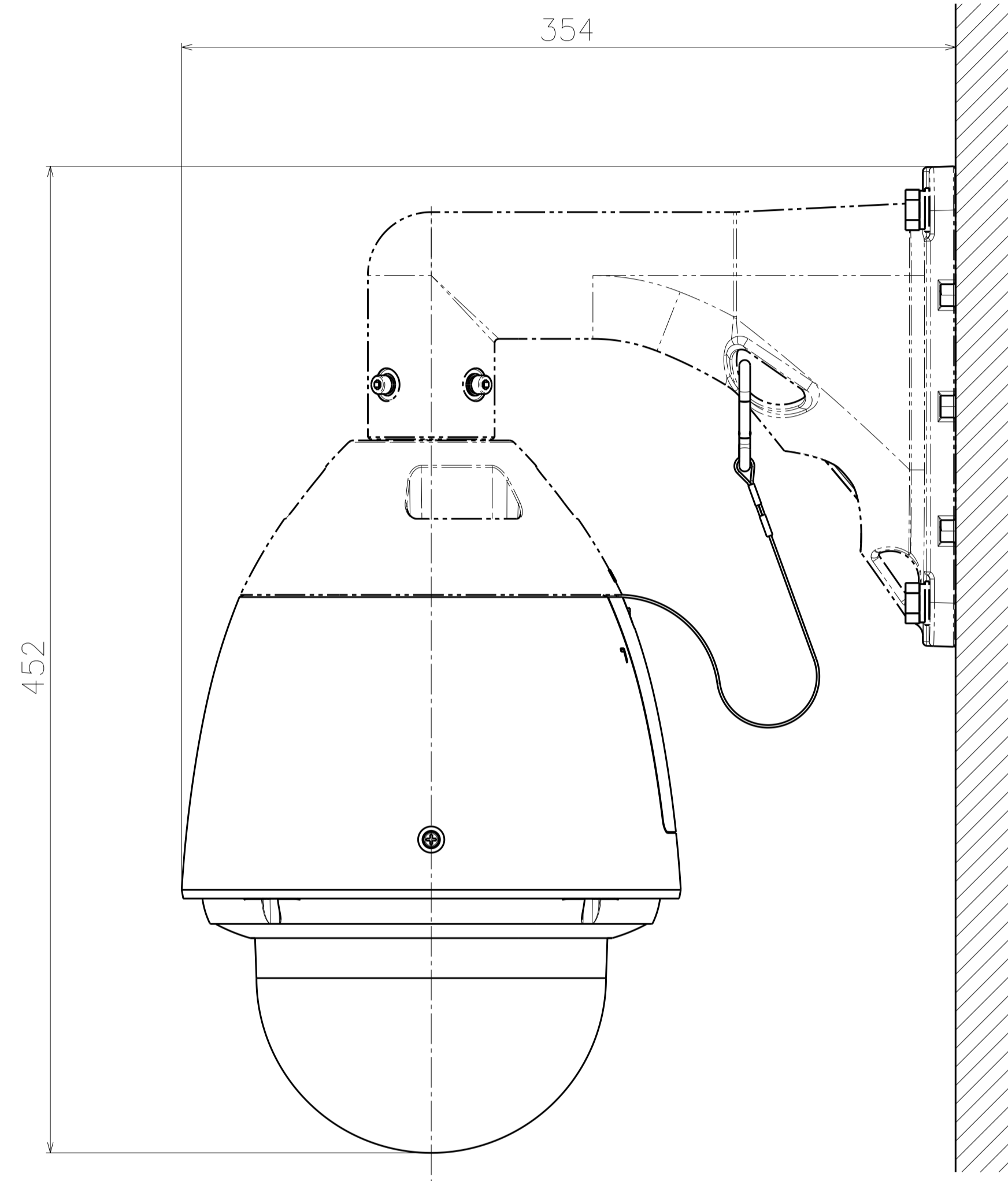
Model number
WV-S65340-Z4N
WV-S65340-Z4NJ
WV-S65340-Z2N
WV-S65340-Z2NJ
WV-S65340-Z4K
WV-S65340-Z4KJ
WV-S65340-Z2K
WV-S65340-Z2KJ
WV-S65340-Z4G
WV-S65340-Z2G
WV-S65340-Z4N1
WV-S65340-Z4N1J
WV-S65340-Z2N1
WV-S65340-Z2N1J

金具との組み合わせ例
Example of combination with bracket



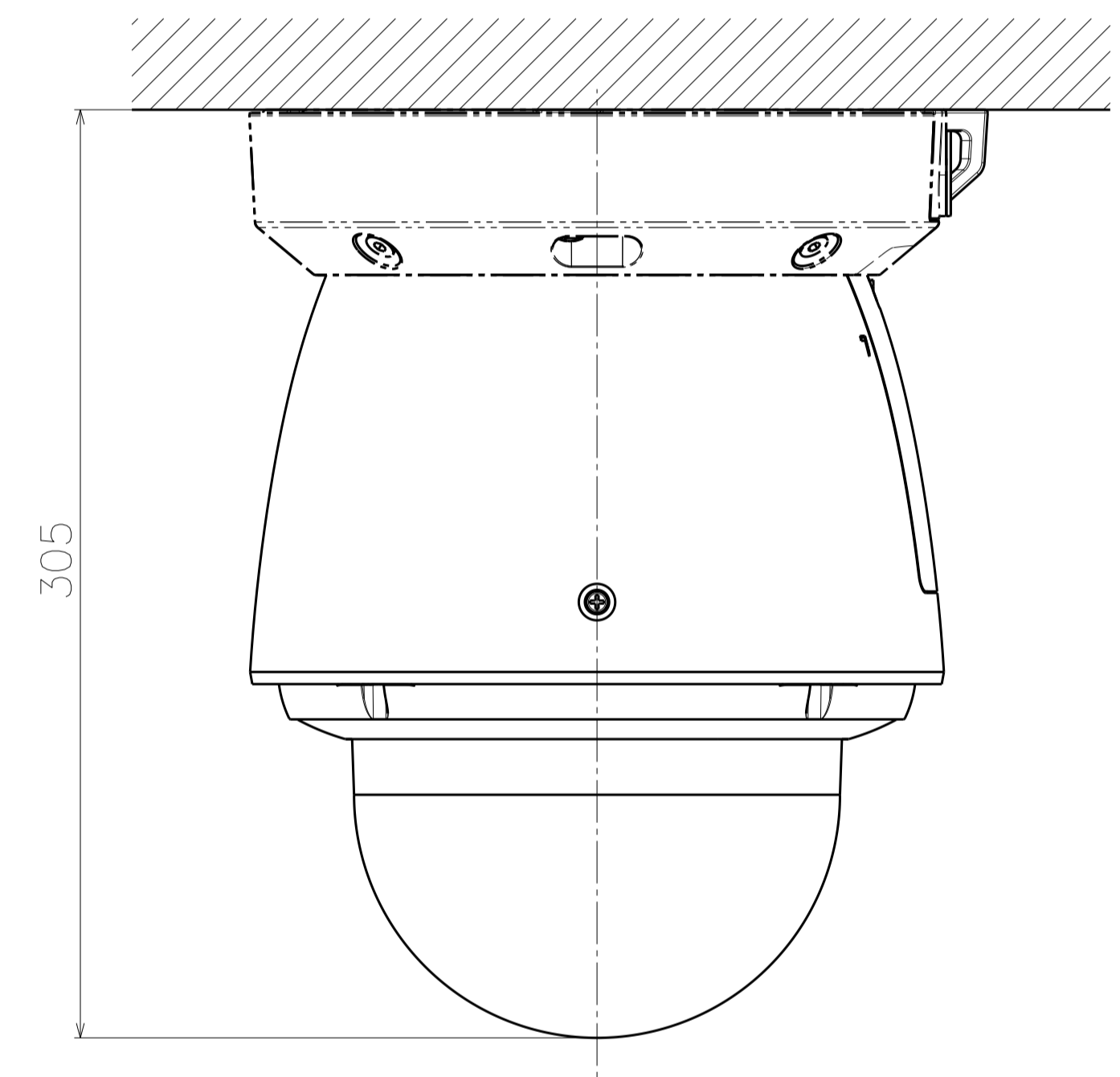
Attach to WV-QCL501** & WV-QSR504**

	投影面積/Projected area
側面図/Side-view	0.080 (m ²)
平面図/Side-view	0.048 (m ²)



Attach to WV-QWL501** & WV-QSR504**

	投影面積/Projected area
側面図/Side-view	0.083 (m ²)
平面図/Side-view	0.050 (m ²)



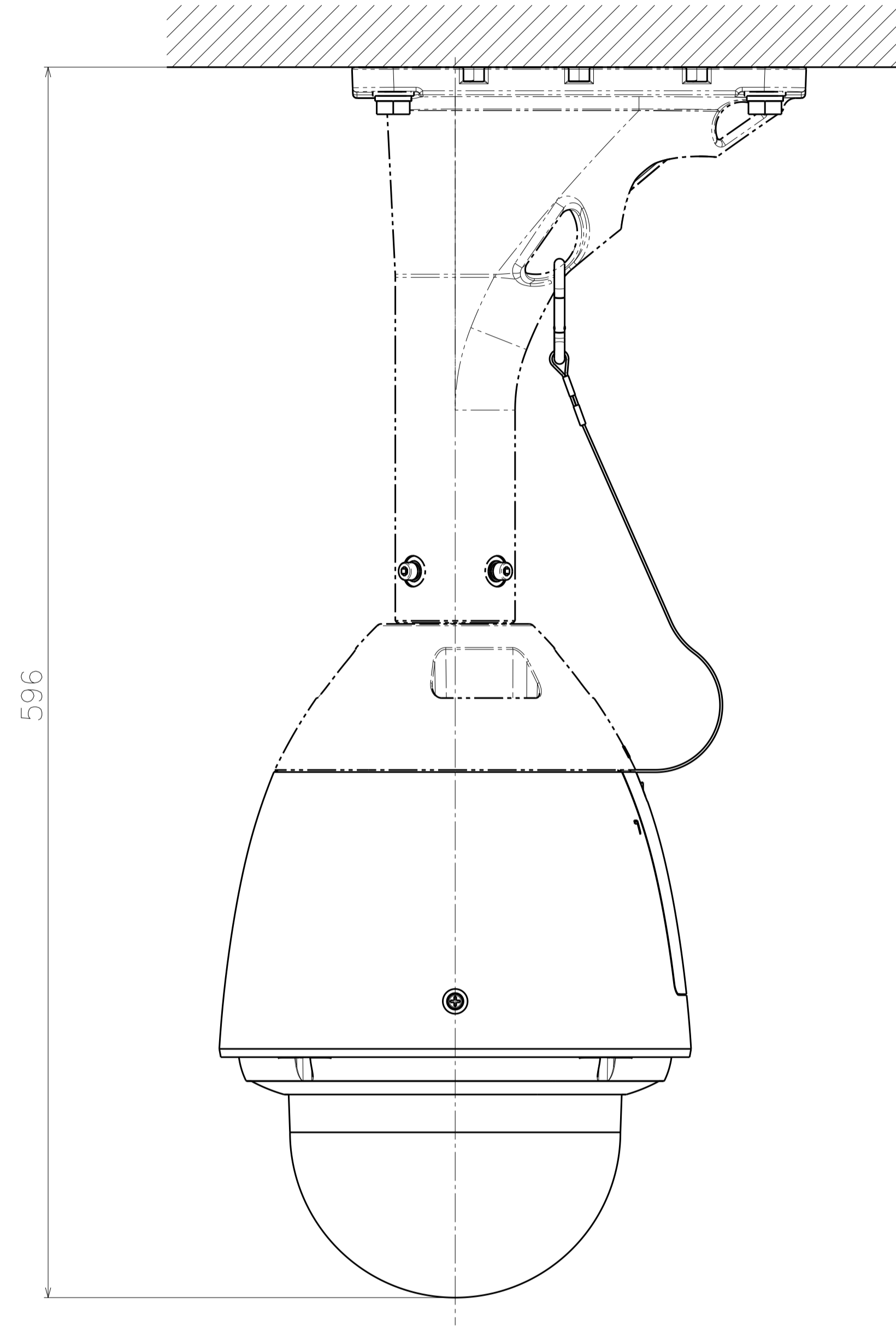
Attach to WV-QCL500**

	投影面積/Projected area
側面図/Side-view	0.057 (m ²)

Model number
WV-S65340-Z4N
WV-S65340-Z4NJ
WV-S65340-Z2N
WV-S65340-Z2NJ
WV-S65340-Z4G
WV-S65340-Z2G
WV-S65340-Z4N1
WV-S65340-Z4N1J
WV-S65340-Z2N1
WV-S65340-Z2N1J

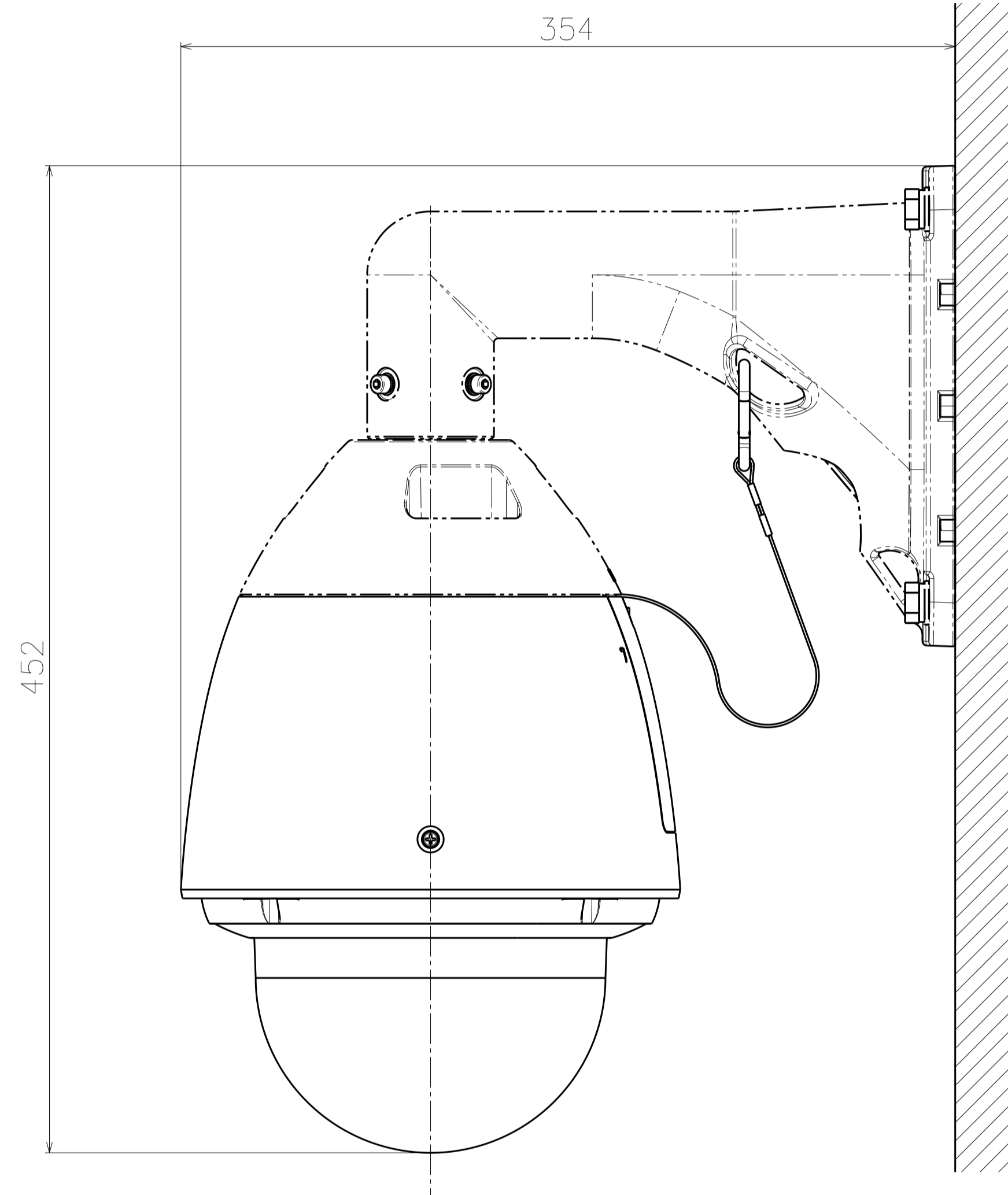
金具との組み合わせ例
Example of combination with bracket

耐重塩害モデル
Heavy salt damage version



Attach to WV-QCL501** & WV-QSR504**

	投影面積/Projected area
側面図/Side-view	0.080 (m ²)
平面図/Side-view	0.048 (m ²)



Attach to WV-QWL501** & WV-QSR504**

	投影面積/Projected area
側面図/Side-view	0.083 (m ²)
平面図/Side-view	0.050 (m ²)

Model number
WV-S65340-Z4K
WV-S65340-Z4KJ
WV-S65340-Z2K
WV-S65340-Z2KJ