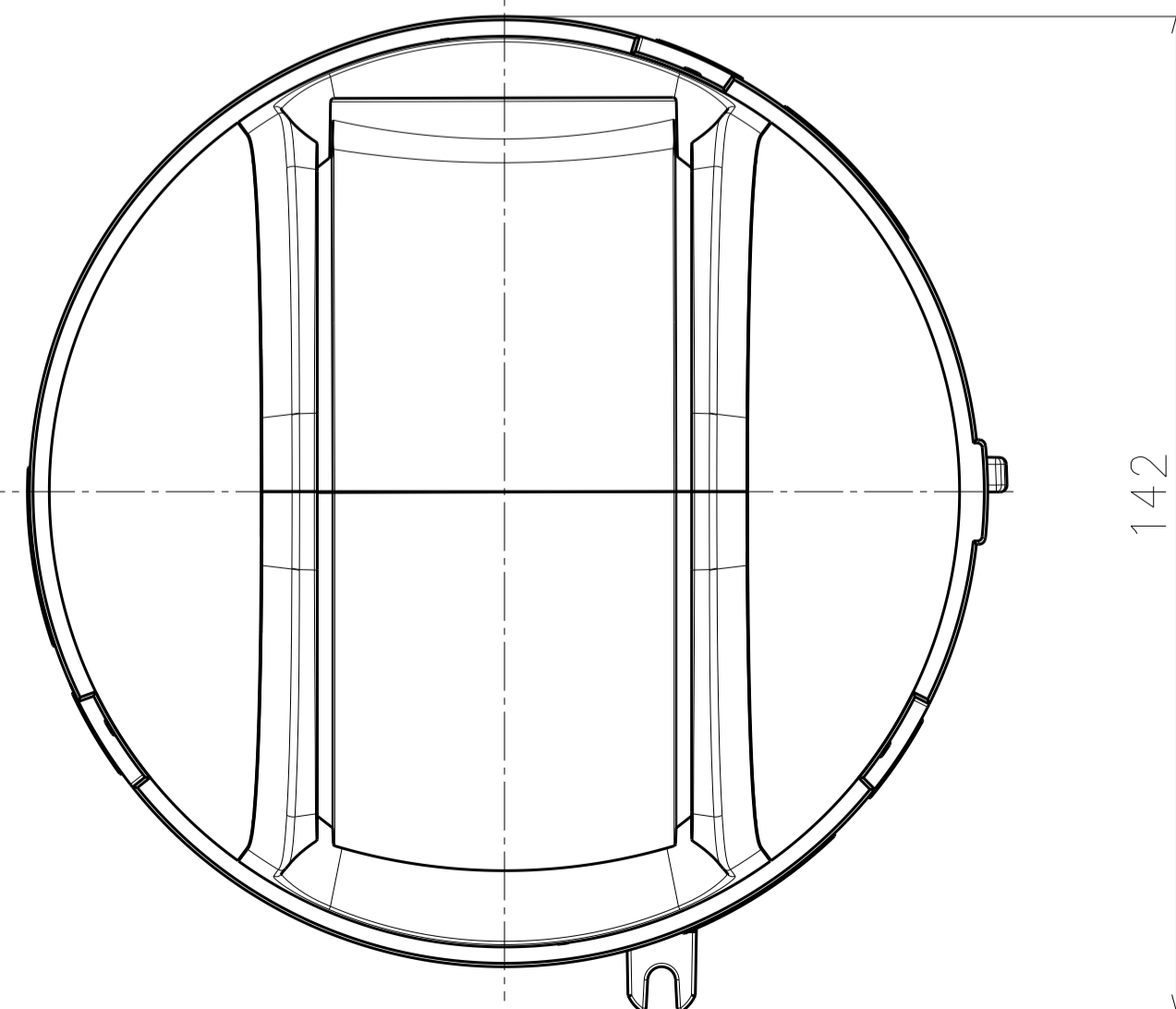
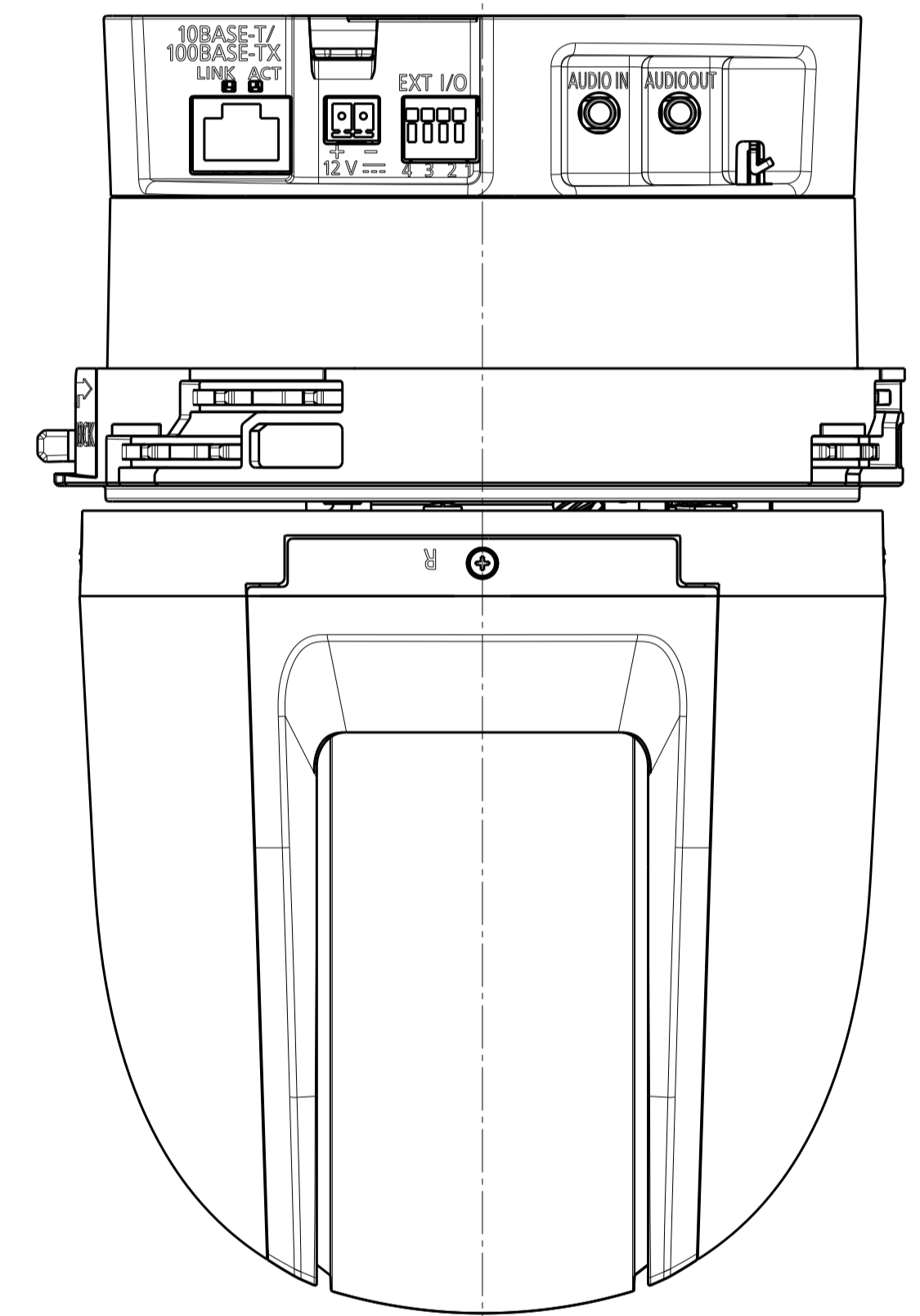
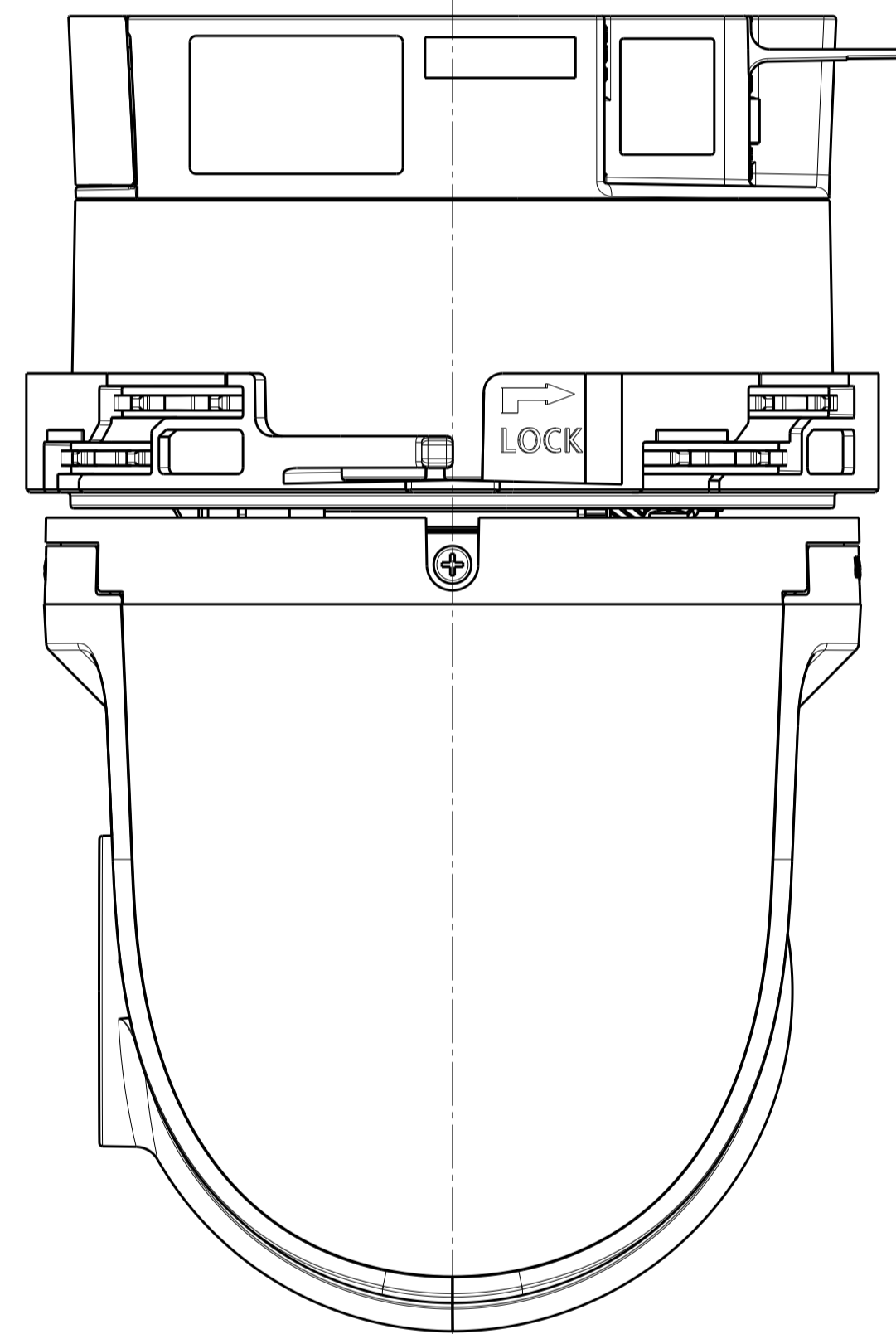
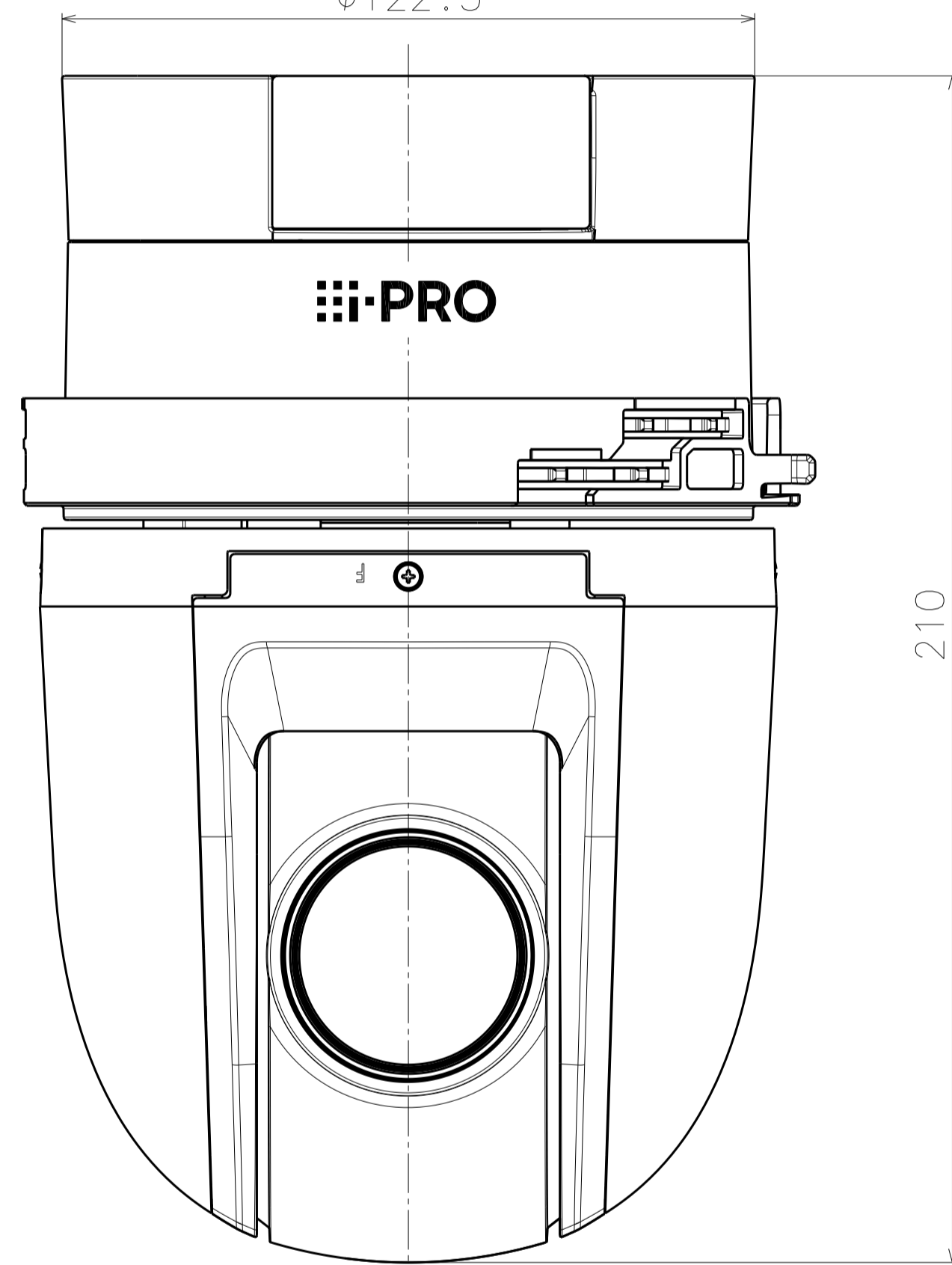
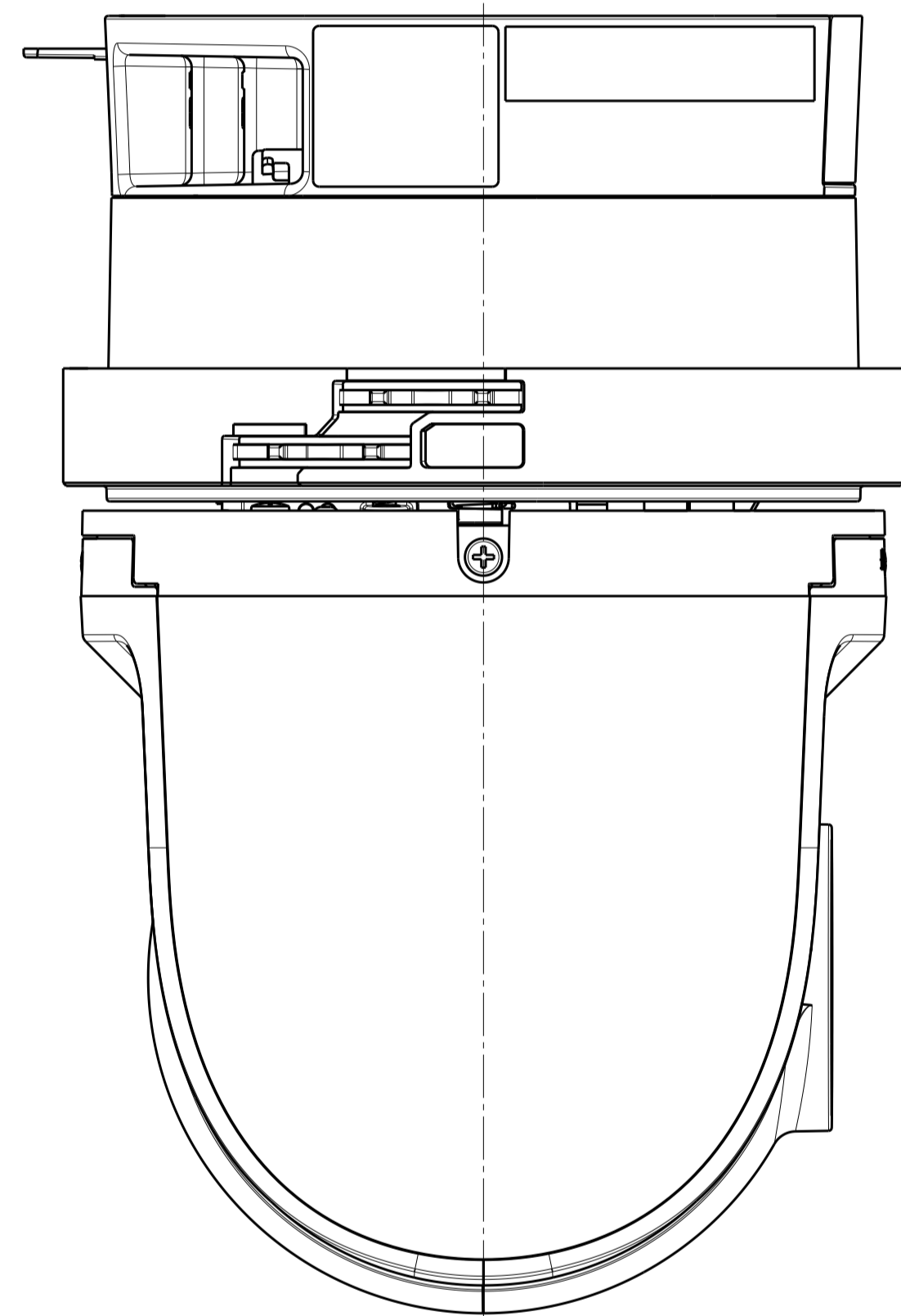
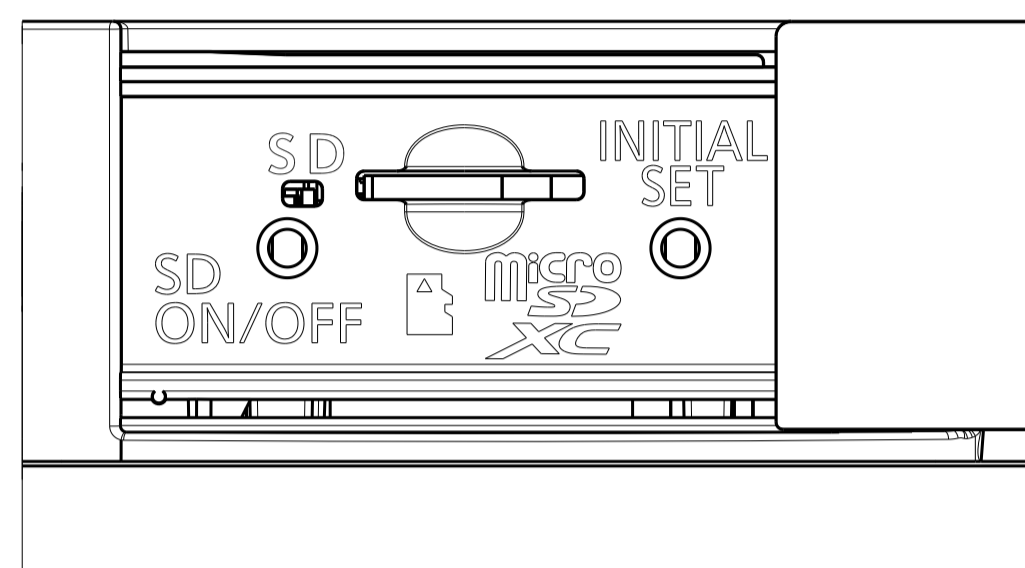


Ø122.5

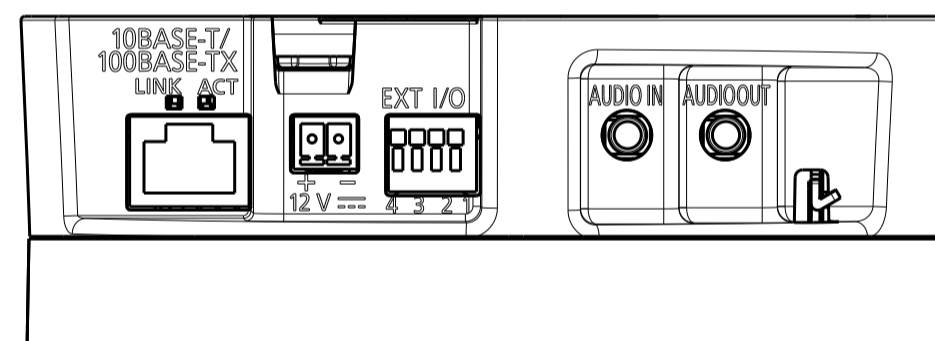


Model number
WV-S61302-Z4
WV-S61302-Z4J
WV-S61302-Z4X

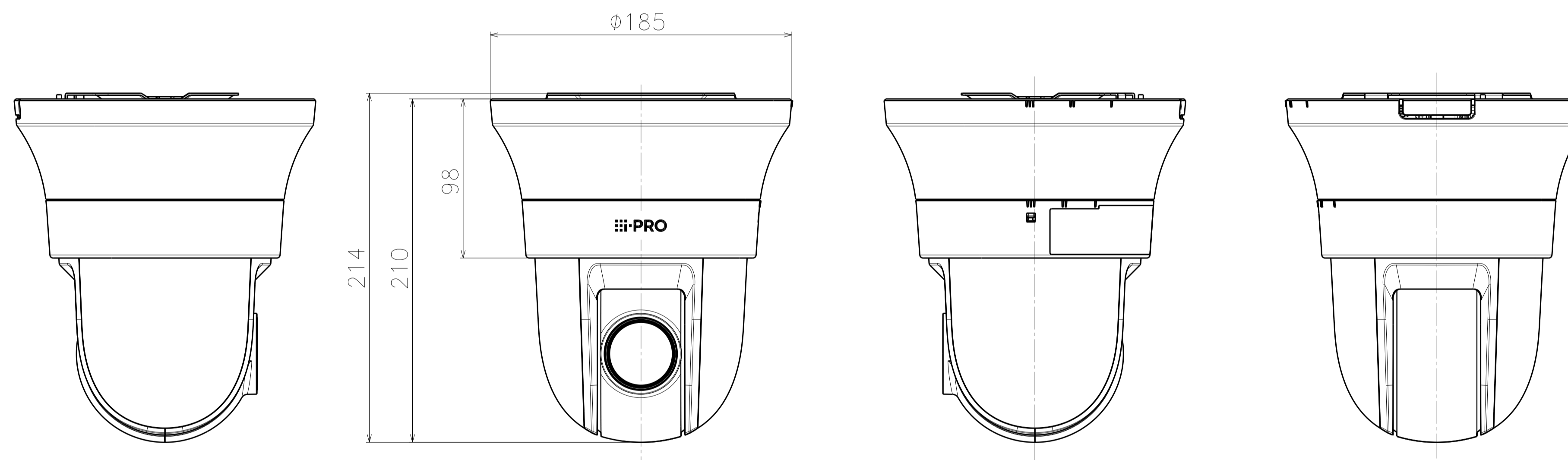
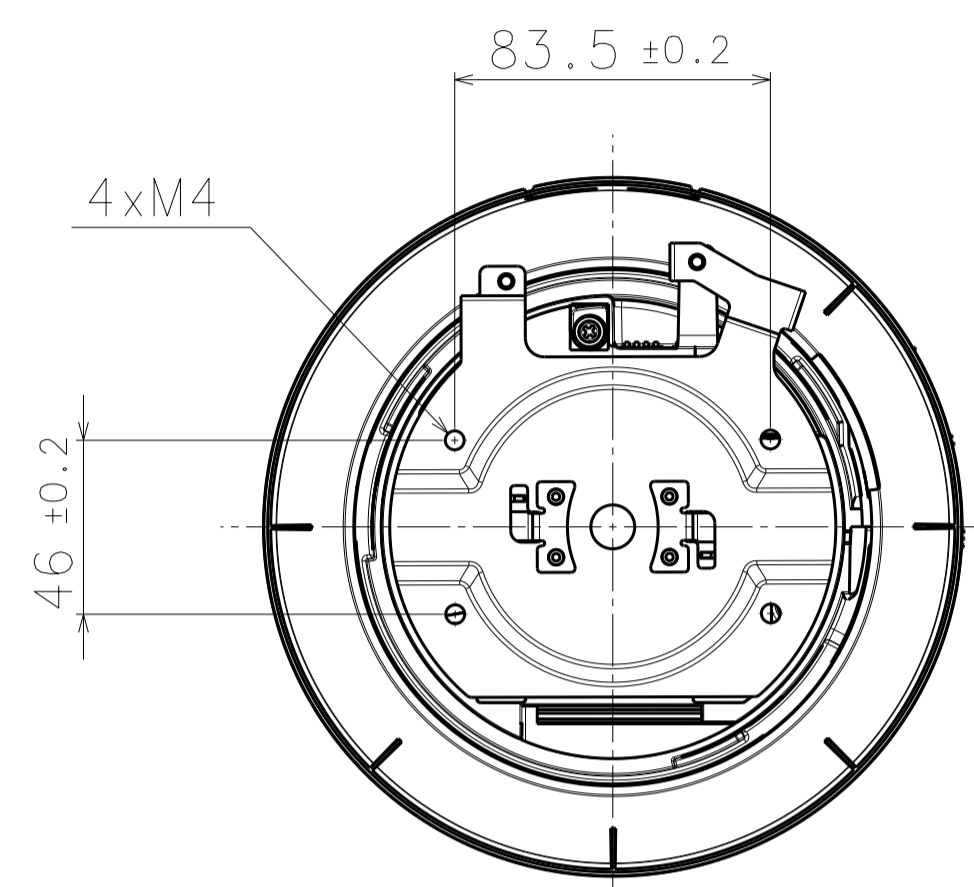
Mass : Approx. 1.5 kg {3.31 lbs}



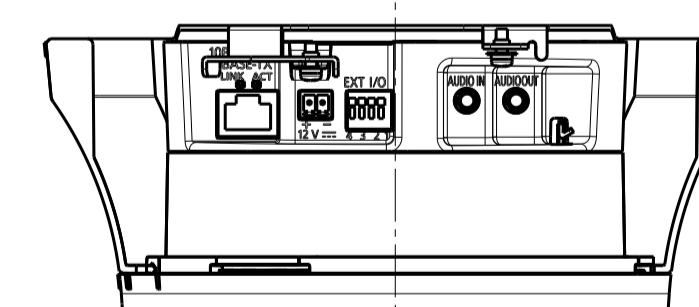
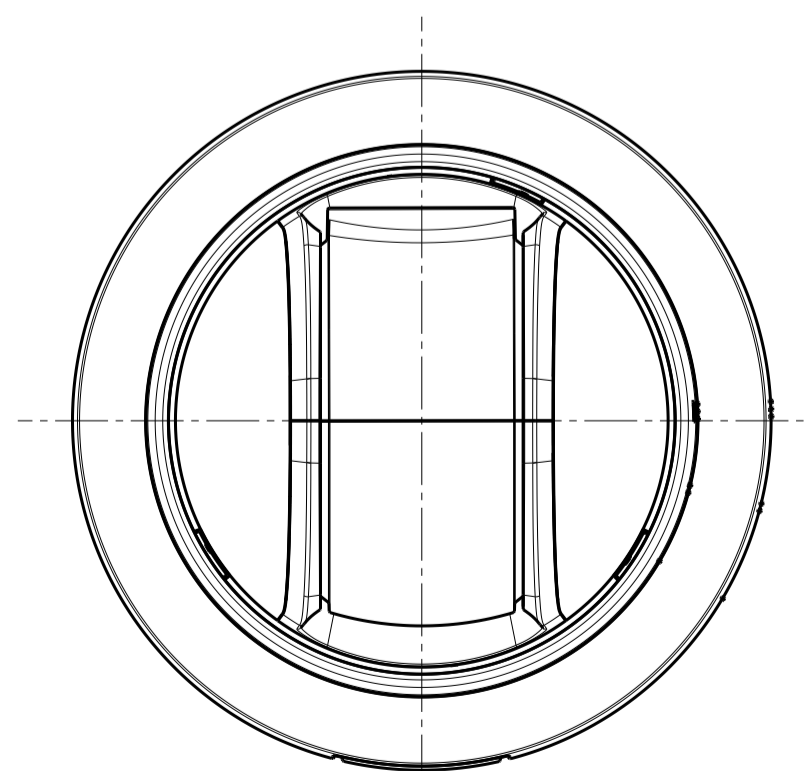
Inside of SD memory card cover
(S=2:1)



Rear details
(S=1:1)



With accessories unit

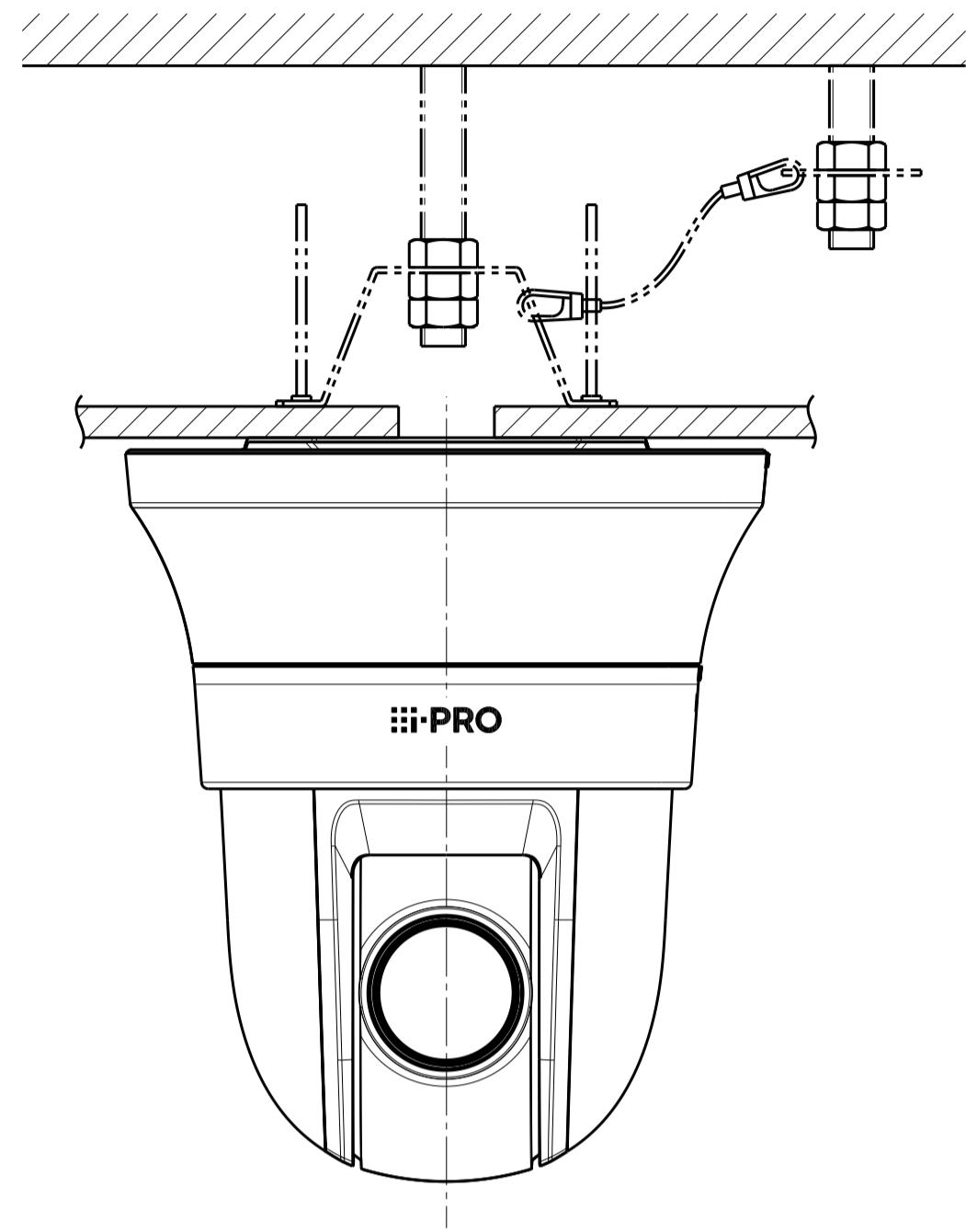


Inside of Decorative cover (lower part)

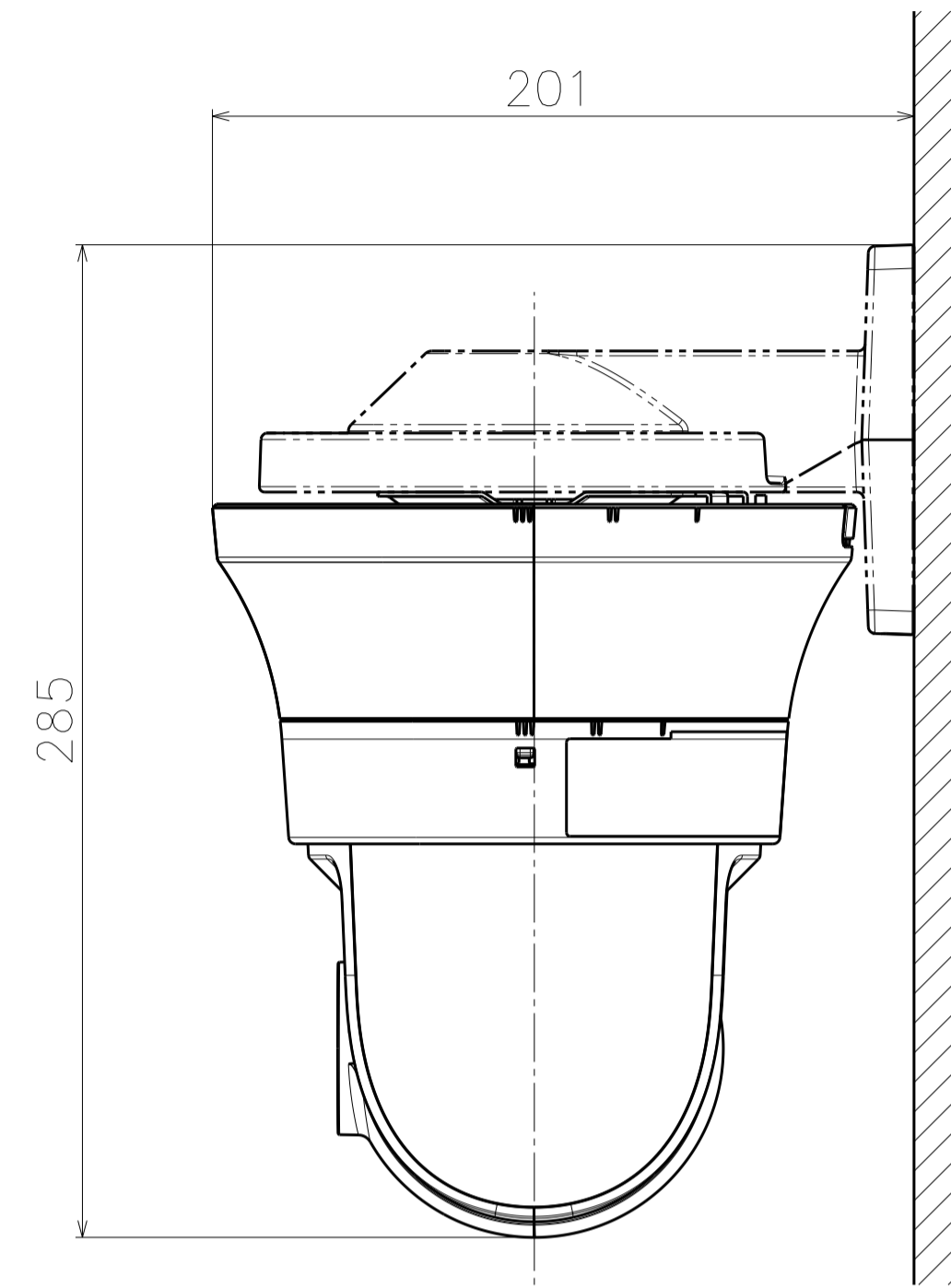
Model number
WV-S61302-Z4
WV-S61302-Z4J
WV-S61302-Z4X

Mass : Approx. 1.8 kg {3.97 lbs} (Including accessories unit)

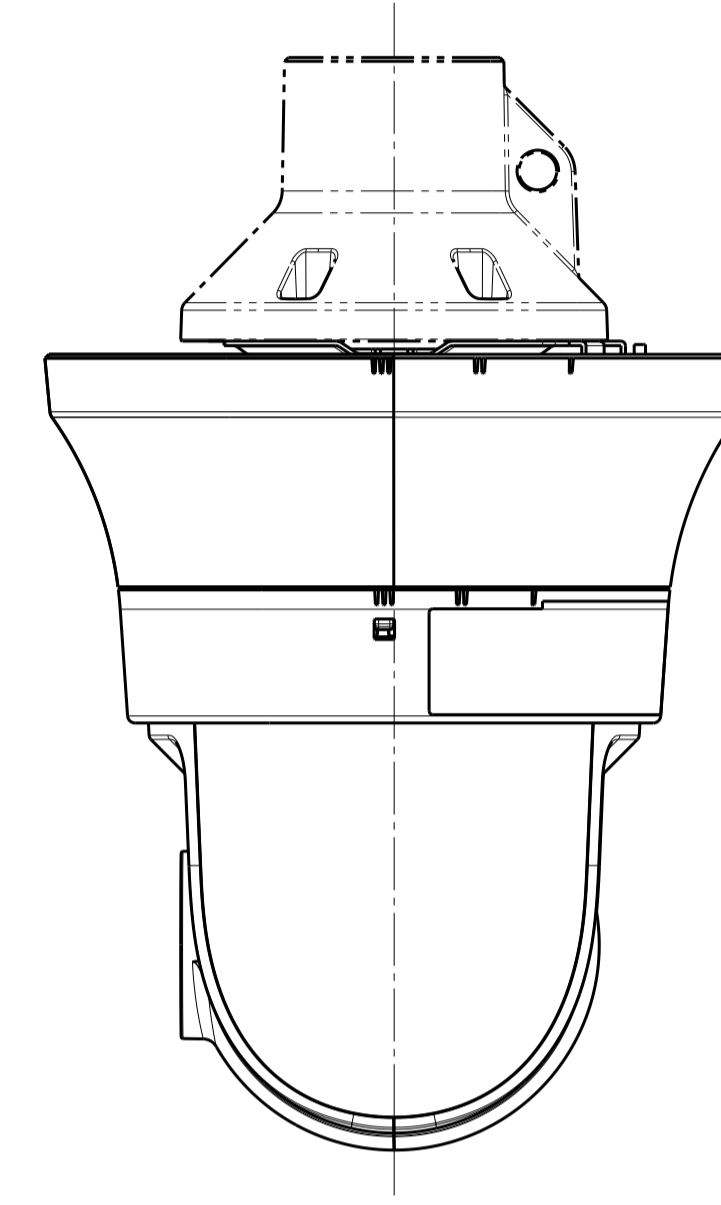
金具との組み合わせ例
Example of combination with bracket



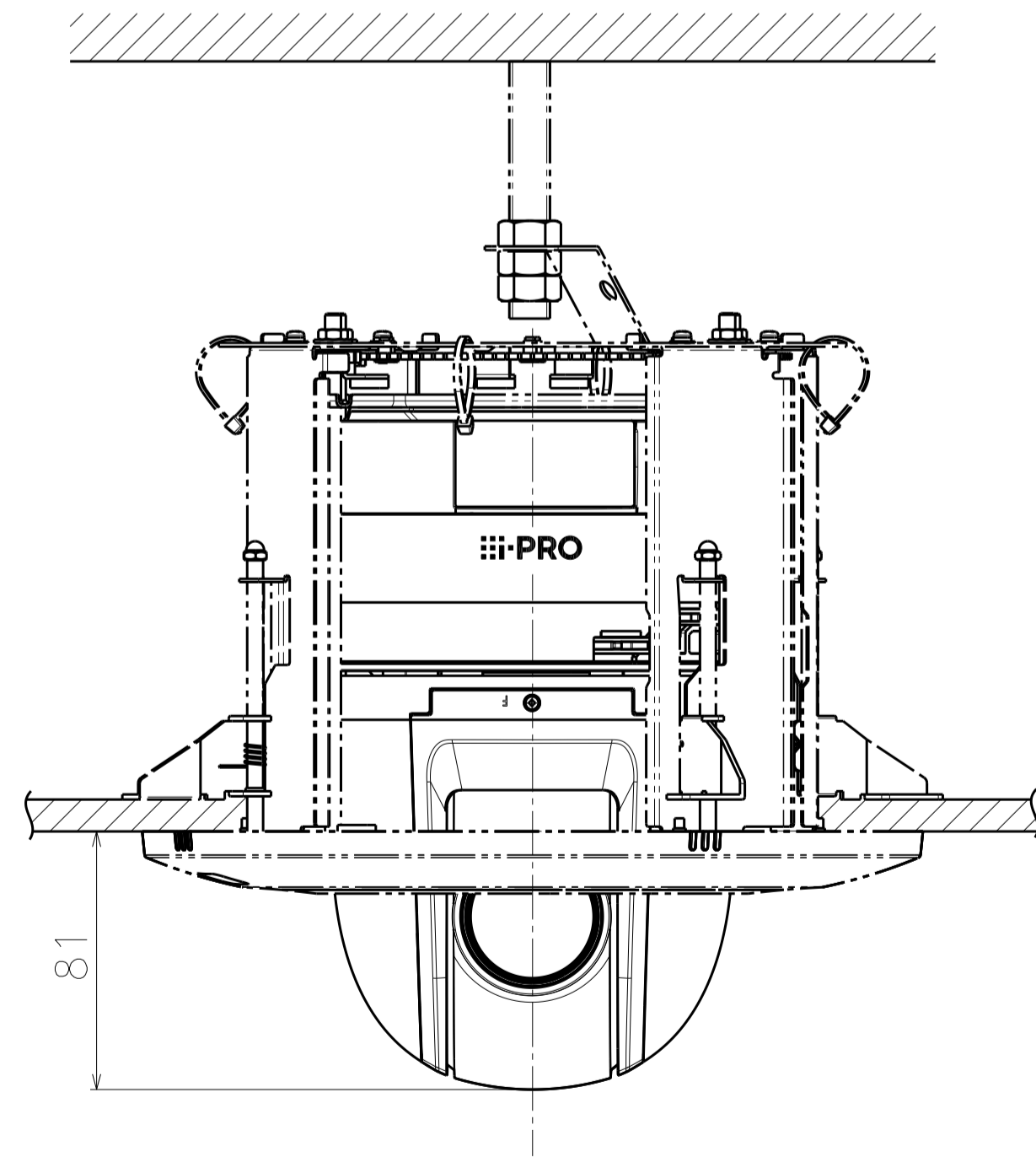
Attach to WV-QAT105A



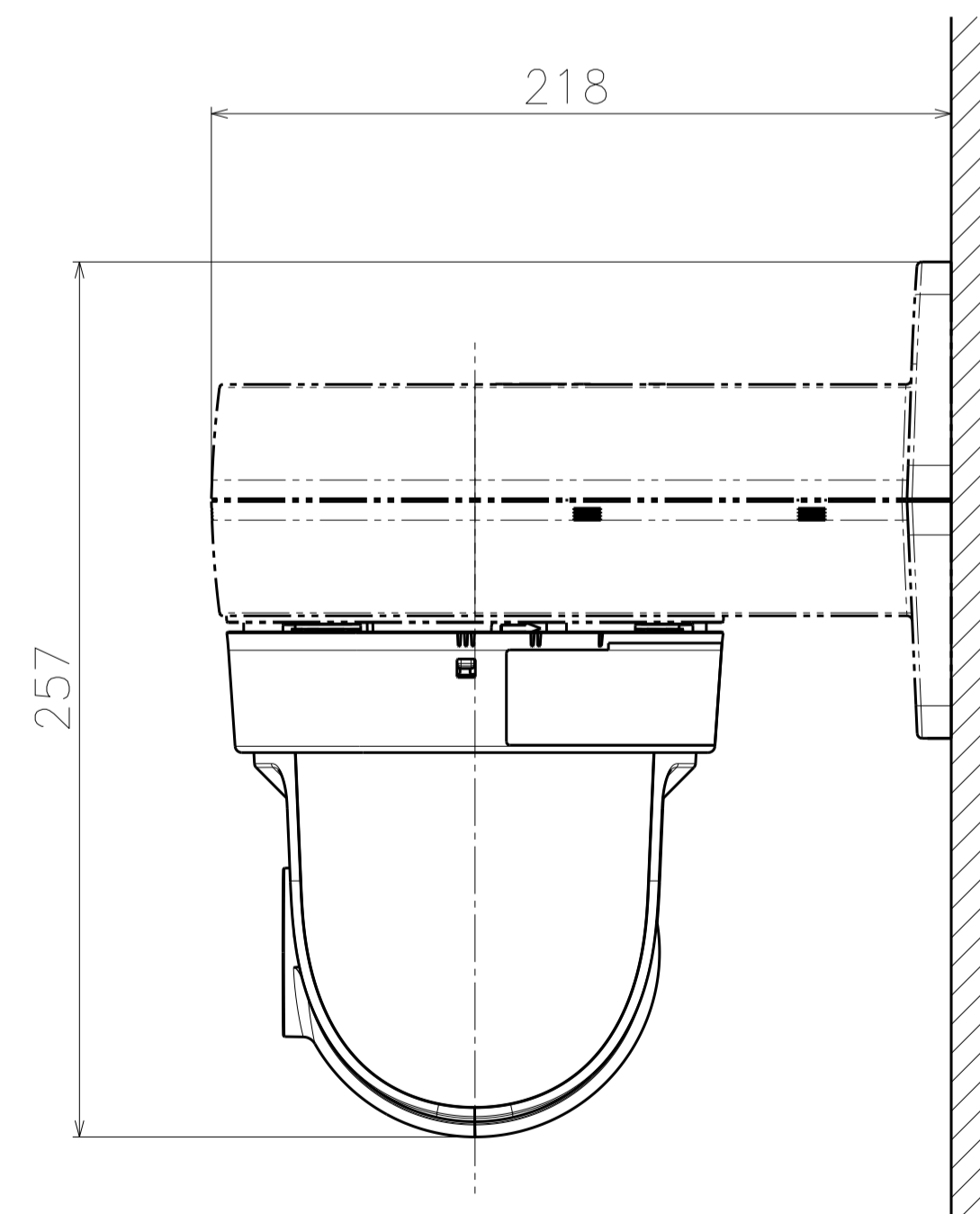
Attach to WV-QWL500-W



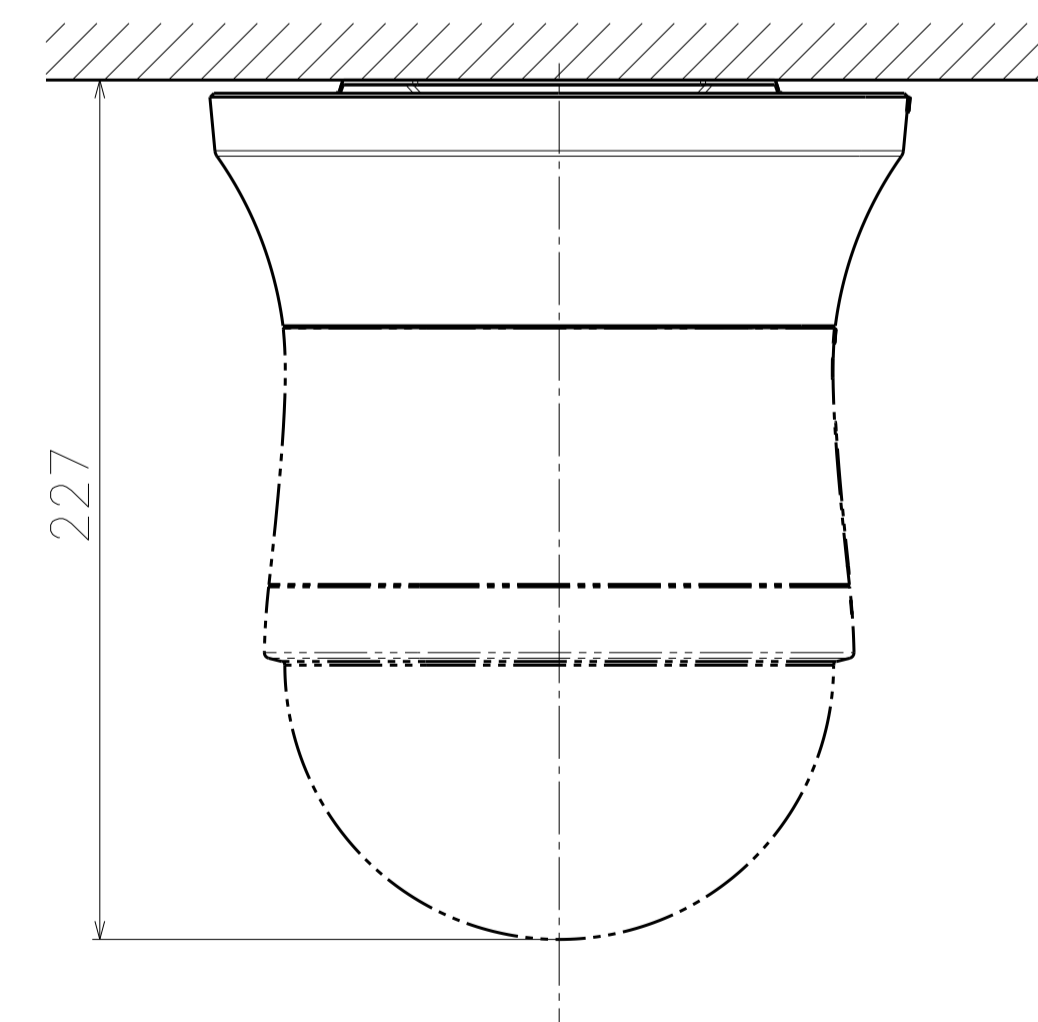
Attach to WV-QCL100-W



Attach to WV-QEM101-W



Attach to WV-QWL100-W



Attach to WV-QDC100C-W

Model number
WV-S61302-Z4
WV-S61302-Z4J
WV-S61302-Z4X